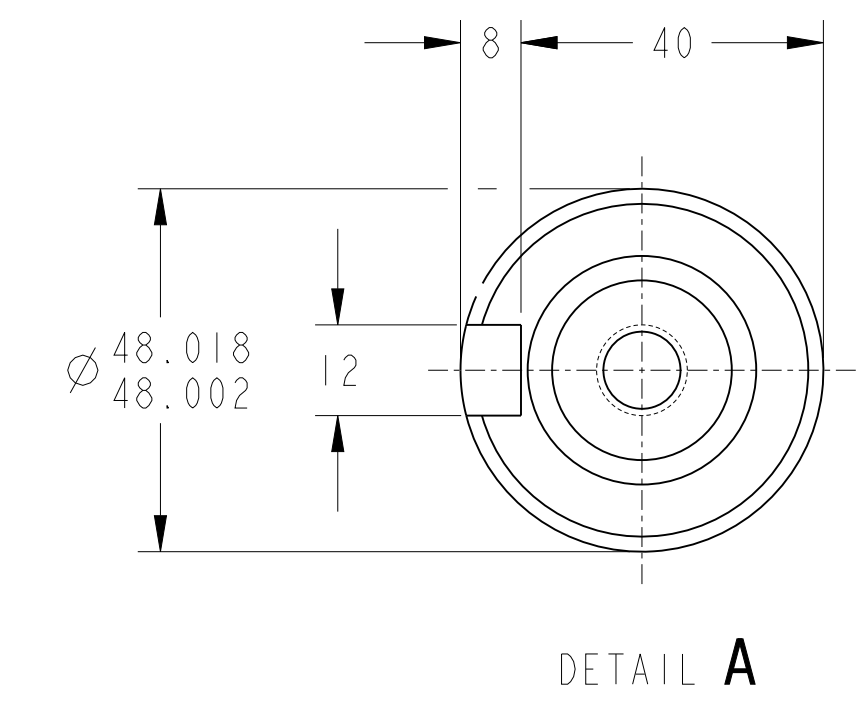
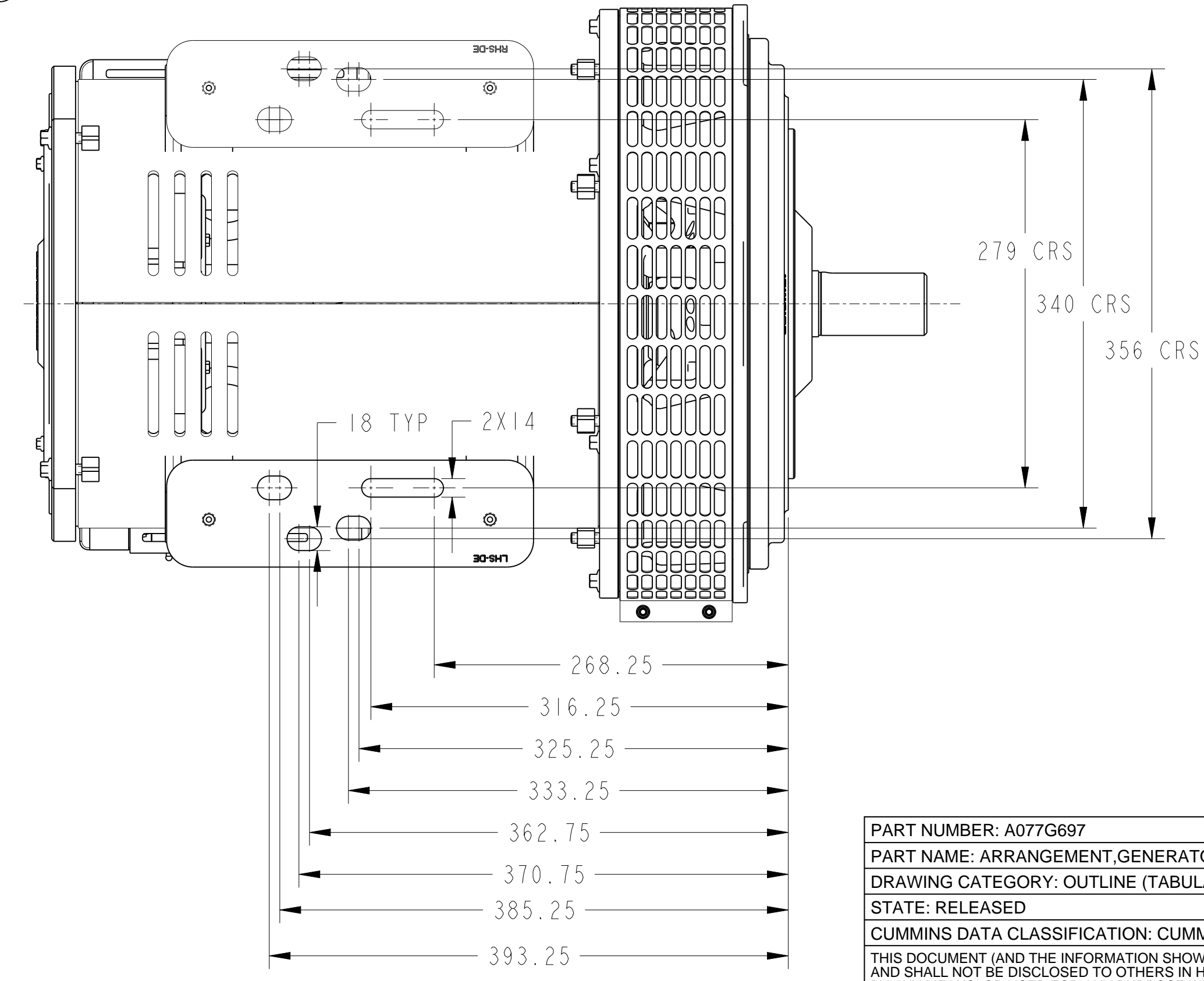
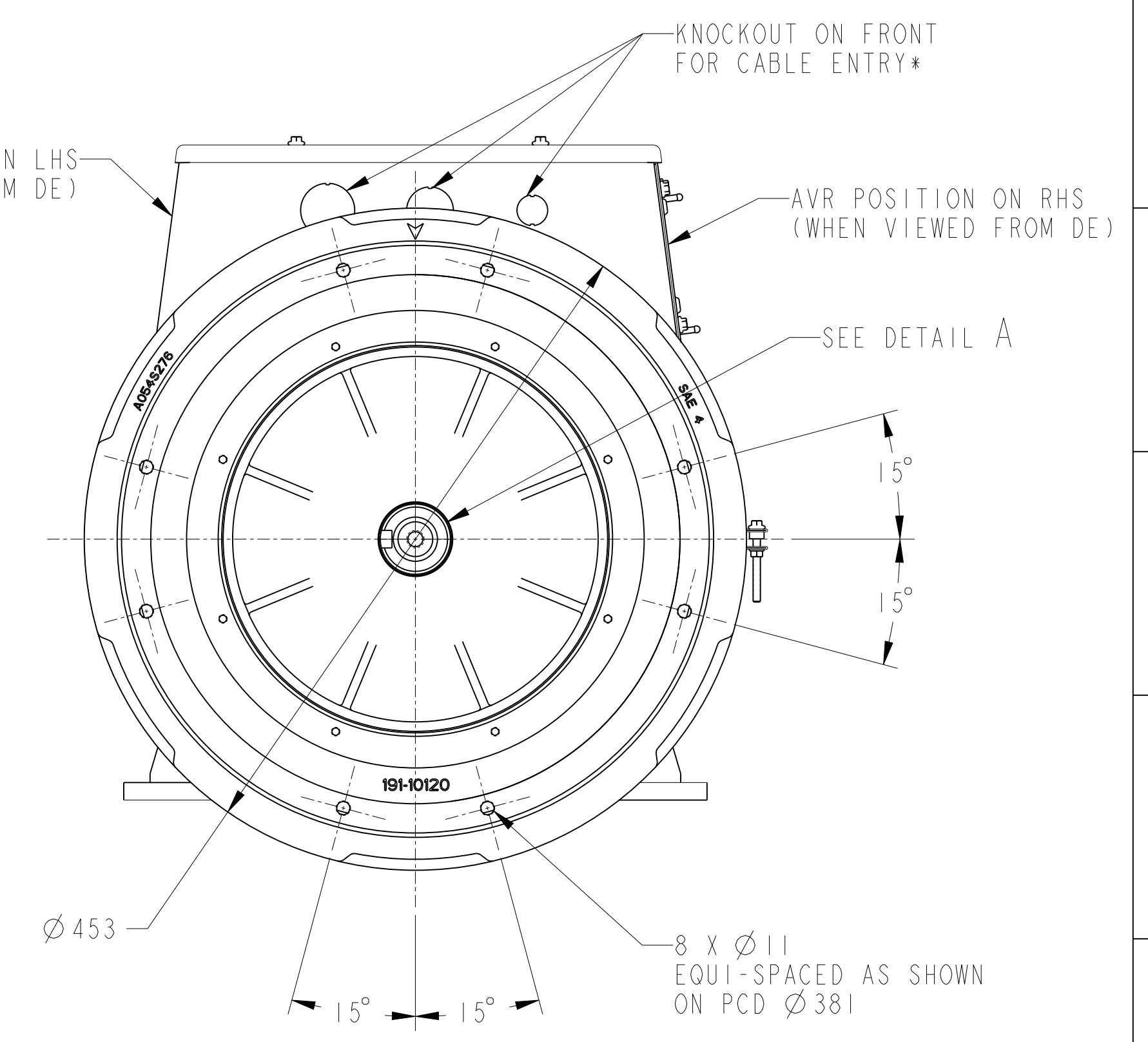
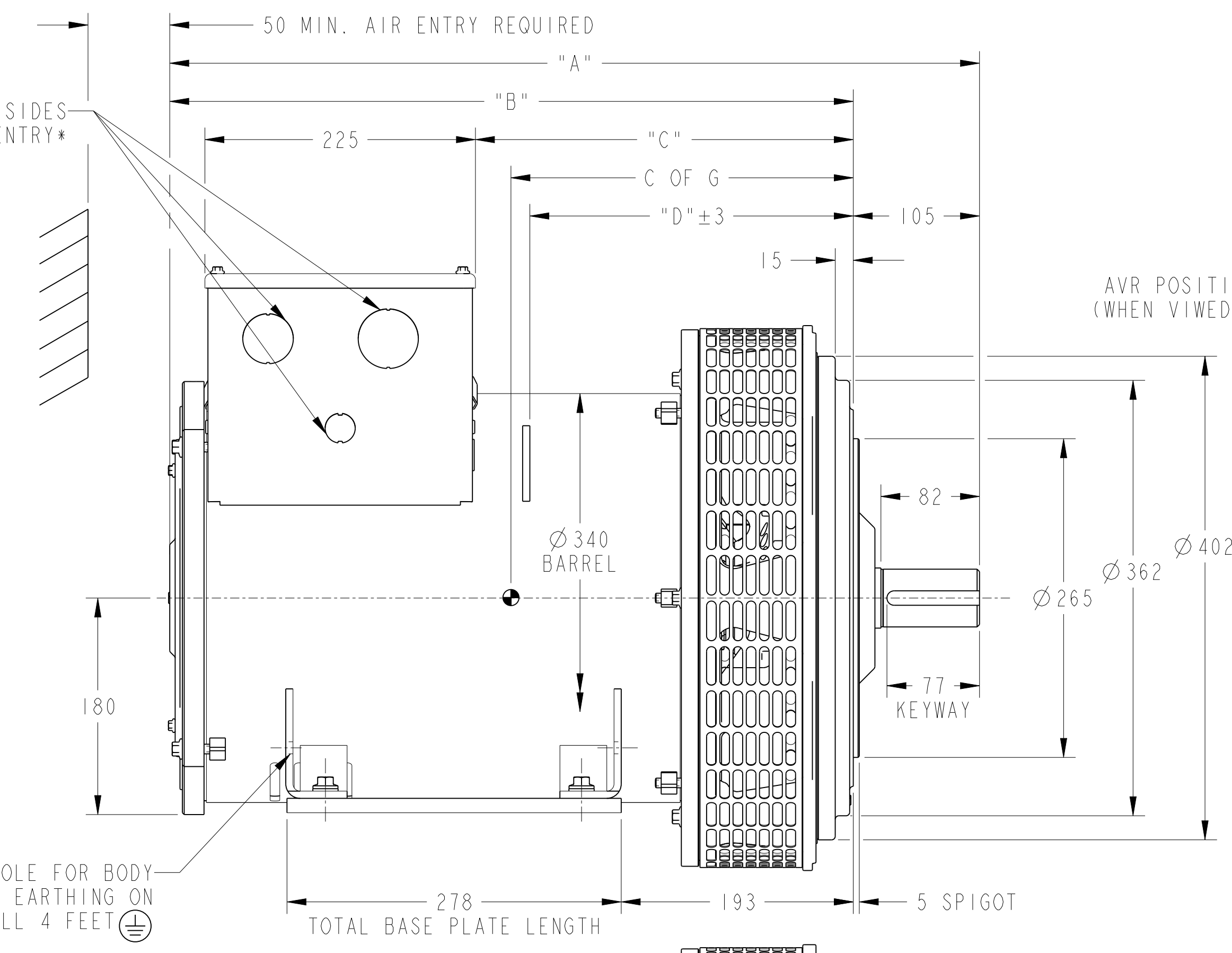
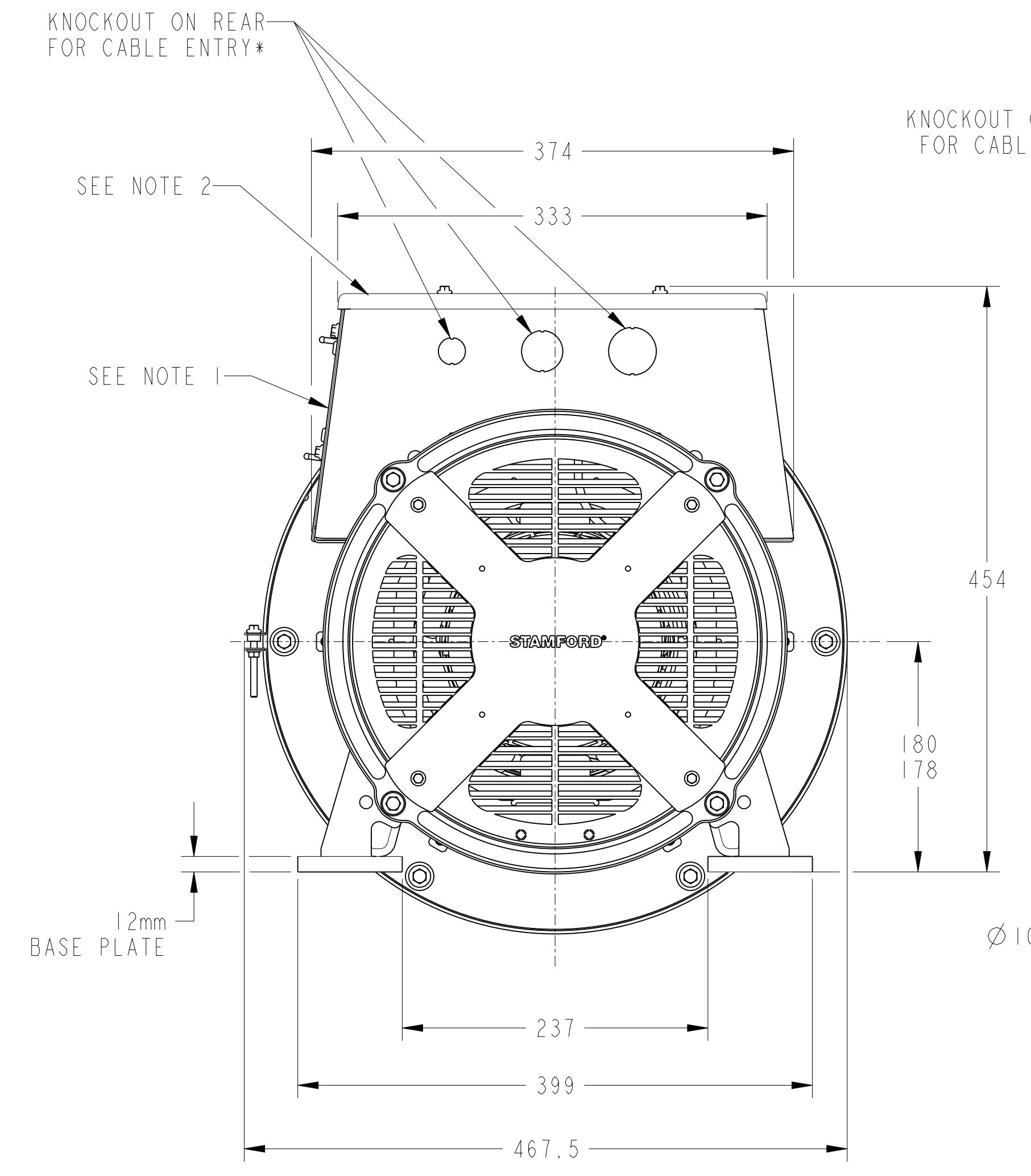
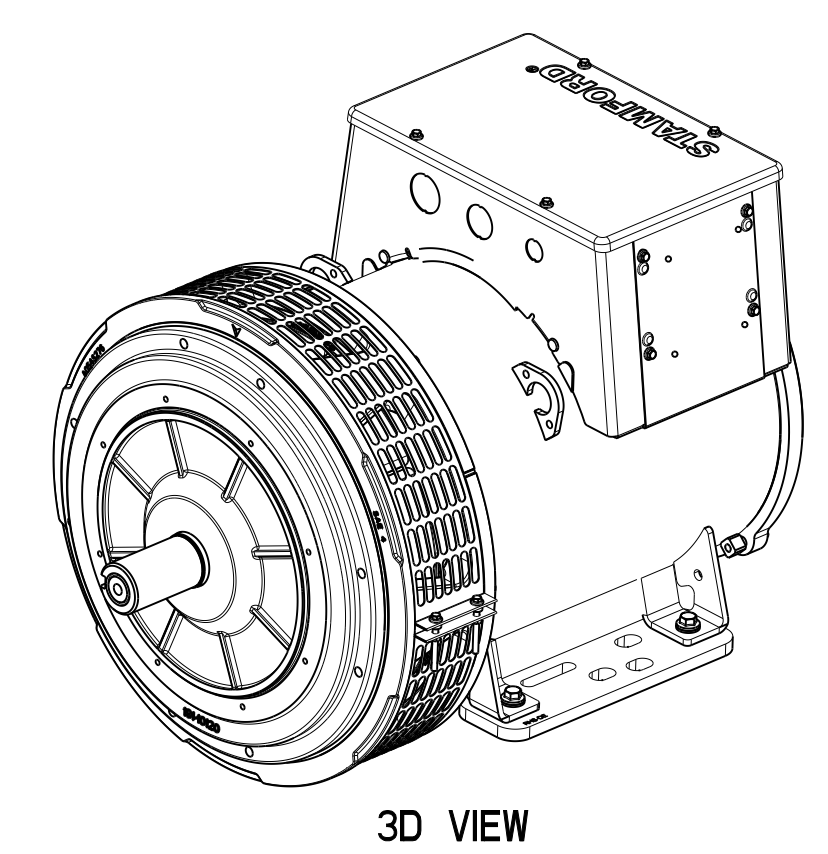


| TABULATION | | | | | | | |
|------------|------|---------|---------|---------|---------|--------|------------|
| PART NO. | CORE | DIM "A" | DIM "B" | DIM "C" | DIM "D" | C OF G | WEIGHT(Kg) |
| A077F855 | G | 673.5 | 568.5 | 314.3 | 269 | 284 | 178 |
| A077G693 | H | 673.5 | 568.5 | 314.3 | 269 | 279 | 183 |
| A077G694 | J | 673.5 | 568.5 | 314.3 | 269 | 272 | 191 |
| A077G695 | K | 693.5 | 588.5 | 334.3 | 289 | 284 | 200 |
| A077G696 | N | 713.5 | 608.5 | 354.3 | 309 | 291 | 216 |
| A077G697 | R | 733.5 | 628.5 | 374.3 | 329 | 300 | 233 |
| A077G698 | Y | 803.5 | 698.5 | 444.3 | 399 | 331 | 263 |



- NOTES:
1. REMOVABLE COVER FOR ACCESS TO AVR
 2. REMOVABLE COVER FOR ACCESS TO MAIN TERMINALS
 3. * FOR KNOCKOUT DETAILS REFER TERMINAL BOX DRAWING
 4. CUSTOMER MUST ENSURE THAT AIR INLET & OUTLET POSITIONS ARE NOT OBSTRUCTED

| | |
|--|------------------|
| PART NUMBER: A077G697 | PART REVISION: A |
| PART NAME: ARRANGEMENT_GENERATOR GENERAL | |
| DRAWING CATEGORY: OUTLINE (TABULATION) | |
| STATE: RELEASED | SHEET: 1 OF 2 |
| CUMMINS DATA CLASSIFICATION: CUMMINS CONFIDENTIAL | |
| THIS DOCUMENT (AND THE INFORMATION SHOWN THEREON) IS CONFIDENTIAL AND PROPRIETARY AND SHALL NOT BE DISCLOSED TO OTHERS IN HARD COPY OR ELECTRONIC FORM, REPRODUCED BY ANY MEANS, OR USED FOR ANY PURPOSE WITHOUT WRITTEN CONSENT OF CUMMINS INC. | |

| | | | |
|-----------------------------------|------------------------|--------------------------|-----------------------|
| DRAWING SPECIFICATION DESCRIPTION | | SIL2, 2B, 4P, NO ADAPTER | |
| Cummins Generator Technologies | | Cummins | |
| DIMENSIONS ARE IN: MILLIMETERS | SIZE: A1 | SCALE: 1:6 | CAD SYSTEM |
| PTC® Creo® Parametric | THIRD ANGLE PROJECTION | ASME Y14.5-2009 | PTC® Creo® Parametric |

4

3

2

1



Part Number: A077G697

| | | | |
|-------------------------|------------------------|-----------------------|--------------------|
| Change Notice | CN00158855 | Alternates | |
| Manufacturer Part (MEP) | No | Usage | Production Only |
| Release Phase Code | Production (P) | Drawing Specification | Number: DS47159607 |
| External Regulations | No External Regulation | | Revision: A |

3D image provided when available for visual reference only.

Drawing Revision Information

| |
|--|
| Description of Change(s) Note: Change information is provided for reference only and does not supersede the drawing's primary content. |
| SEE CHANGE NOTICE. |
| PRODUCTION RELEASE |

Drawing Authorization

| | | | |
|----------|--------------------------|------|-----------|
| Drafter | Aishwarya Rajaram Shelar | Date | 21MAR2025 |
| Checker | Kuldeep Dilip Pawar | Date | 21MAR2025 |
| Approver | Alin Dumitru Visian | Date | 25MAR2025 |

Cummins Data Classification: **Cummins Confidential** This document (and the information shown thereon) is **Confidential and Proprietary** and shall not be disclosed to others in hard copy or electronic form, reproduced by any means, or used for any purpose without written consent of Cummins Inc.

Part Number: **A077G697** Part Revision: **A**
 Part Name: **ARRANGEMENT,GENERATOR GENERAL**
 Drawing Category: **Outline (Tabulation)** State: **Released** Sheet 2 of 2

4

3

2

1