

AutoCad

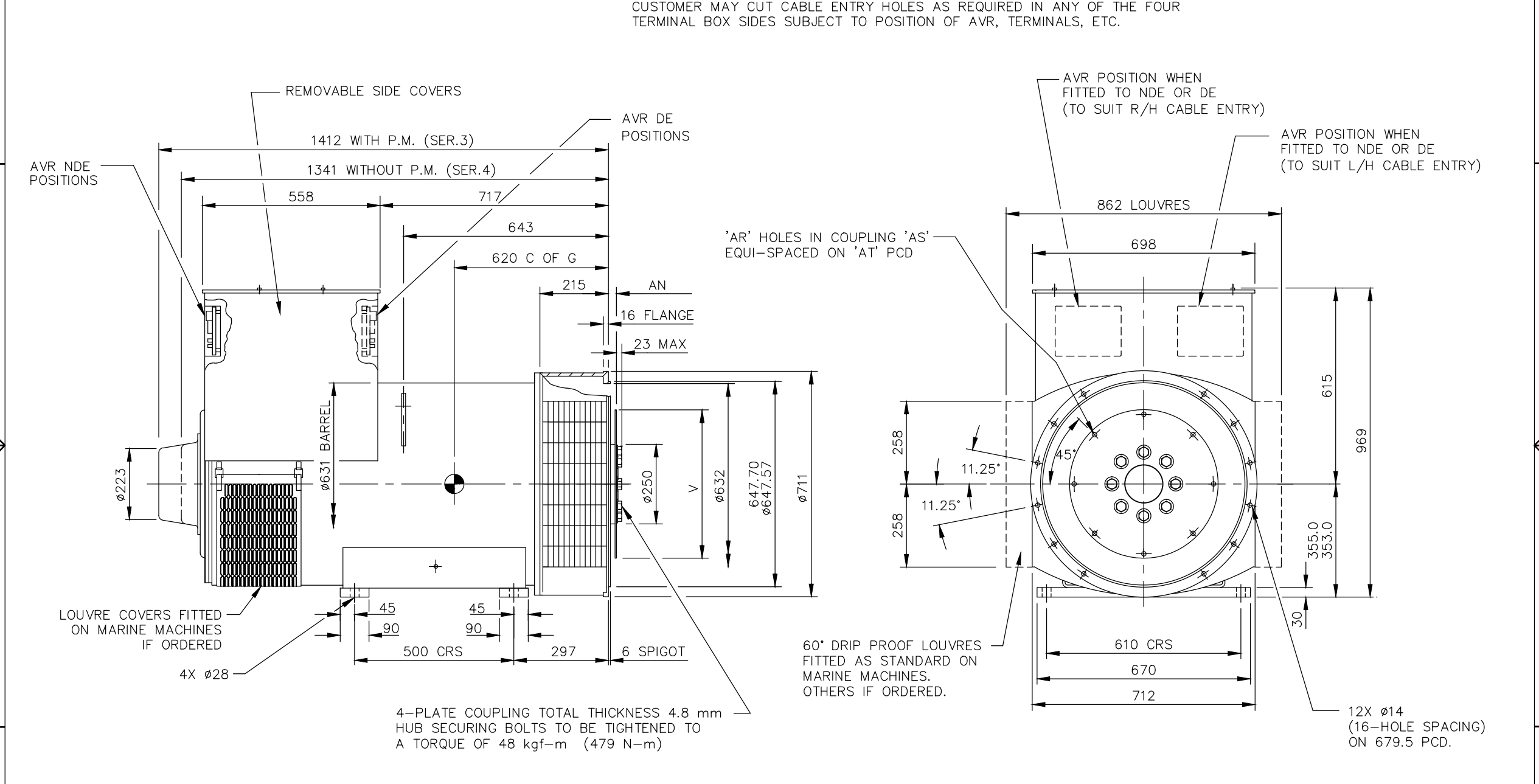
CORE	WEIGHT(KG)
F	1687


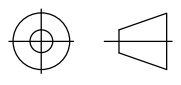
COUPLING DISC						
SAE NO	AN	AR	AS	AT	V	
14	25.4	8	Ø13.5	438.1	Ø466.67	
18	15.87	6	Ø16.7	543	Ø571.45	

REL NO	REV	NO	REVISION	DWN	CKD	APVD	DATE
ECO-180418	A	1	PRODUCTION RELEASE	VDS	DGL	K.WEJRZANOWSKI	21AUG18

NOTE:

CUSTOMER MAY CUT CABLE ENTRY HOLES AS REQUIRED IN ANY OF THE FOUR TERMINAL BOX SIDES SUBJECT TO POSITION OF AVR, TERMINALS, ETC.



UNLESS OTHERWISE SPECIFIED, ALL DIMENSIONS ARE IN MILLIMETERS	SIM TO 52-4662	DRAWN V.SHIPPARKAR	 CUMMINS GENERATOR TECHNOLOGIES
	DO NOT SCALE PRINT	CHECKED D.LEE	
SCALE 1:10		APPROVED K.WEJRZANOWSKI	DRAWING, GENERAL ASSEMBLY S5 F SAE 0-14/18 1-BRG STD T/BOX
		DATE 21AUG18	
THIS DOCUMENT (AND THE INFORMATION SHOWN THEREON) IS CONFIDENTIAL AND PROPRIETARY AND SHALL NOT BE DISCLOSED TO OTHERS IN HARD COPY OR ELECTRONIC FORM, REPRODUCED BY ANY MEANS, OR USED FOR ANY PURPOSE WITHOUT WRITTEN CONSENT OF CUMMINS INC.	FOR INTERPRETATION OF DIMENSIONING AND TOLERANCING, SEE ASME Y14.5-2009	FIRST USED ON S5	SITE CODE STA
			DWG SIZE A4
			A056U864
			CAD SHEET 1 OF 1