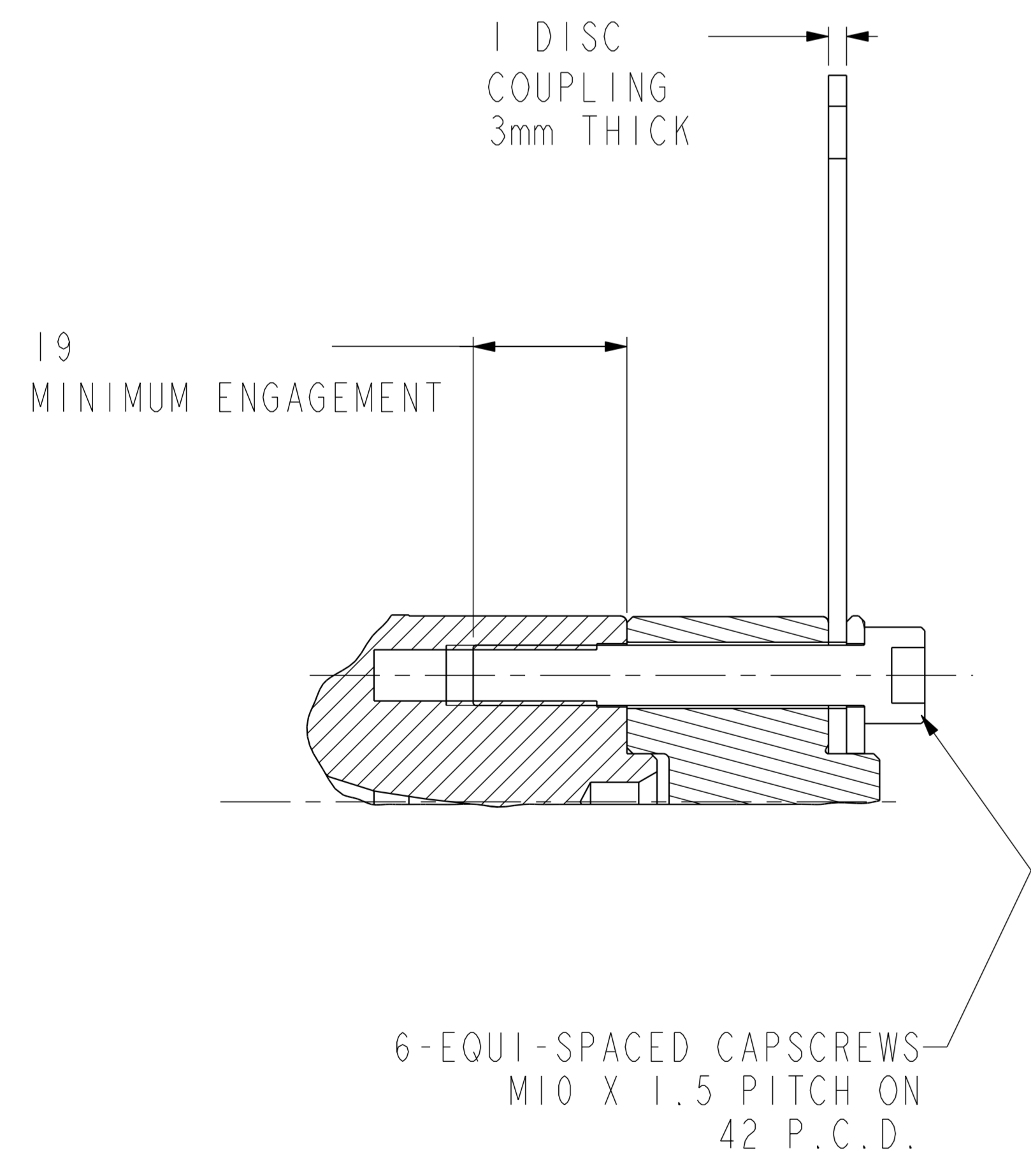


APPROVED DOCUMENT



COMPONENT	MASS (kg)	WR ² (kgm ²)
SHAFT	6.070	0.0022
FAN	0.976	0.0067
MAIN ROTOR	11.000	0.0368
EXCITOR ROTOR	2.710	0.0108
TOTAL WITHOUT EBG ROTOR	20.756	0.0565
EBG ROTOR	1.701	0.0017
TOTAL WITH EBG ROTOR	22.457	0.0582

ADAPTOR SAE No.	COUPLING SAE No.	COUPLING DIMENSIONS		MASS OF DISC (kg) (1 X 3mm THICK)	MASS OF SHAFT SPACER (kg)	MASS OF PRESSURE PLATE (kg)	TOTAL MASS OF COUPLING ASSEMBLY (kg)	COUPLING STIFFNESS (kgcm/rad)	COUPLING DISC WR ² (kgm ²)
		ØXX mm	YY mm						
4/5	6 1/2	215.8	10	0.850	0.233	0.069	1.152	13.955 X 10 ⁶	0.0049
4/5	7 1/2	241.2	10	1.069	0.233	0.069	1.371	13.835 X 10 ⁶	0.0079
4/5	8	263.5	41.8	1.275	0.974	0.069	2.318	13.747 X 10 ⁶	0.0111
3/4	10	314.2	33.6	1.819	0.783	0.069	2.671	13.616 X 10 ⁶	0.0225
3	11 1/2	352.3	19.4	2.287	0.452	0.069	2.808	13.555 X 10 ⁶	0.0355

CONVERSION FACTORS		
TO CONVERT	TO	DIVIDE BY
kg	lb	0.453592
kgm ²	lbft ²	0.04214
kgcm/rad	lbin/rad	1.1521246
N/m ²	lbf/in ²	6894.76

NOTES:-

SHAFT STIFFNESS:-

THE STIFFNESS OF THE SHAFT BETWEEN THE MAIN ROTOR CORE ϕ AND THE SHAFT FACE 'A' IS 3.7265×10^6 kgcm/radian (STIFFENING EFFECT OF MAIN ROTOR CORE IS NOT INCLUDED IN THIS FIGURE)

SHAFT MATERIAL:-

STEEL - C40E TO BSEN 10083-2 2006 (APPROVED BY MARINE AUTHORITIES WHEN APPROPRIATE)

MAXIMUM RECOMMENDED VIBRATORY STRESS LEVEL IN THE SHAFT IS 34.47×10^6 N/m² FOR SPEED RANGE OF 0.95 TO 1.1 X NOMINAL SPEED AND 68.94×10^6 N/m² FOR RUN THROUGH CONDITIONS, FOR INDUSTRIAL MACHINES.

FOR MARINE AUTHORITIES, THEIR APPROPRIATE RULES WILL APPLY.

CUMMINS GENERATOR TECHNOLOGIES LTD SHOULD BE NOTIFIED OF ANY ROTORS NOT COMPLYING WITH THESE RULES. CUMMINS GENERATOR TECHNOLOGIES LTD BALANCE ROTORS TO COMPLY WITH INTERNATIONAL STD BS ISO 1940 PARTS 1 AND 2 . BALANCE GRADE 2.5

FOR UNBALANCED MAGNETIC PULL (U.M.P.) REFER BACK TO THE FACTORY.

4-9111-12	A	BSR	10.07.07	ORIGINAL ISSUE
MOD.	ISSUE	DRAWN	DATE	MODIFICATION

CONFIDENTIAL PROPERTY OF CUMMINS GENERATOR TECHNOLOGIES LTD.				P02D ONE BEARING MOMENTS OF INERTIA AND SHAFT DETAILS				
MATERIAL PROPS	-	DIMENSIONS IN MILLIMETRES (MM) AT 20°C	PROJECTION	SCALE	3:10	MATERIAL	-	
FINISH SPEC	-	SURFACE FINISH VALUES IN MICRO METRES		DRG. SIZE	A	CASTING No.	-	
GEOMETRY SPEC	-			WEIGHT	=	PART No.	L15-13217	ISSUE
ASSEMBLY SPEC	-	UNLIMITED DIMS ±		DRAWN	BSR	10.07.07	REL. PHASE	P
PERFORMANCE SPEC	-			CHECKED	RPM	11.07.07		
QUALITY SPEC	-			APPROVED	DPC	12.07.07	PROJENGINEER	SHEET 1 OF 1 SHEETS