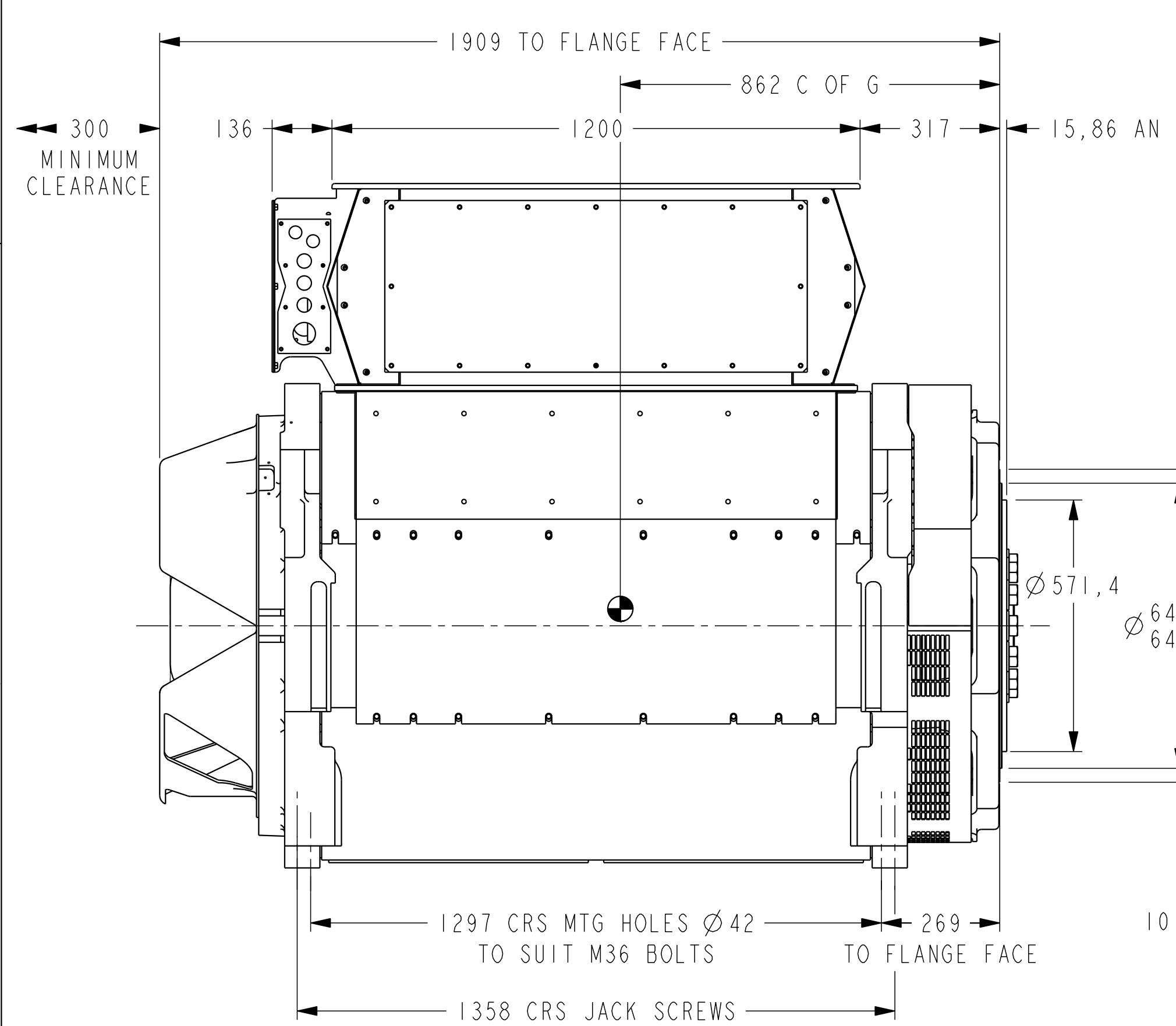


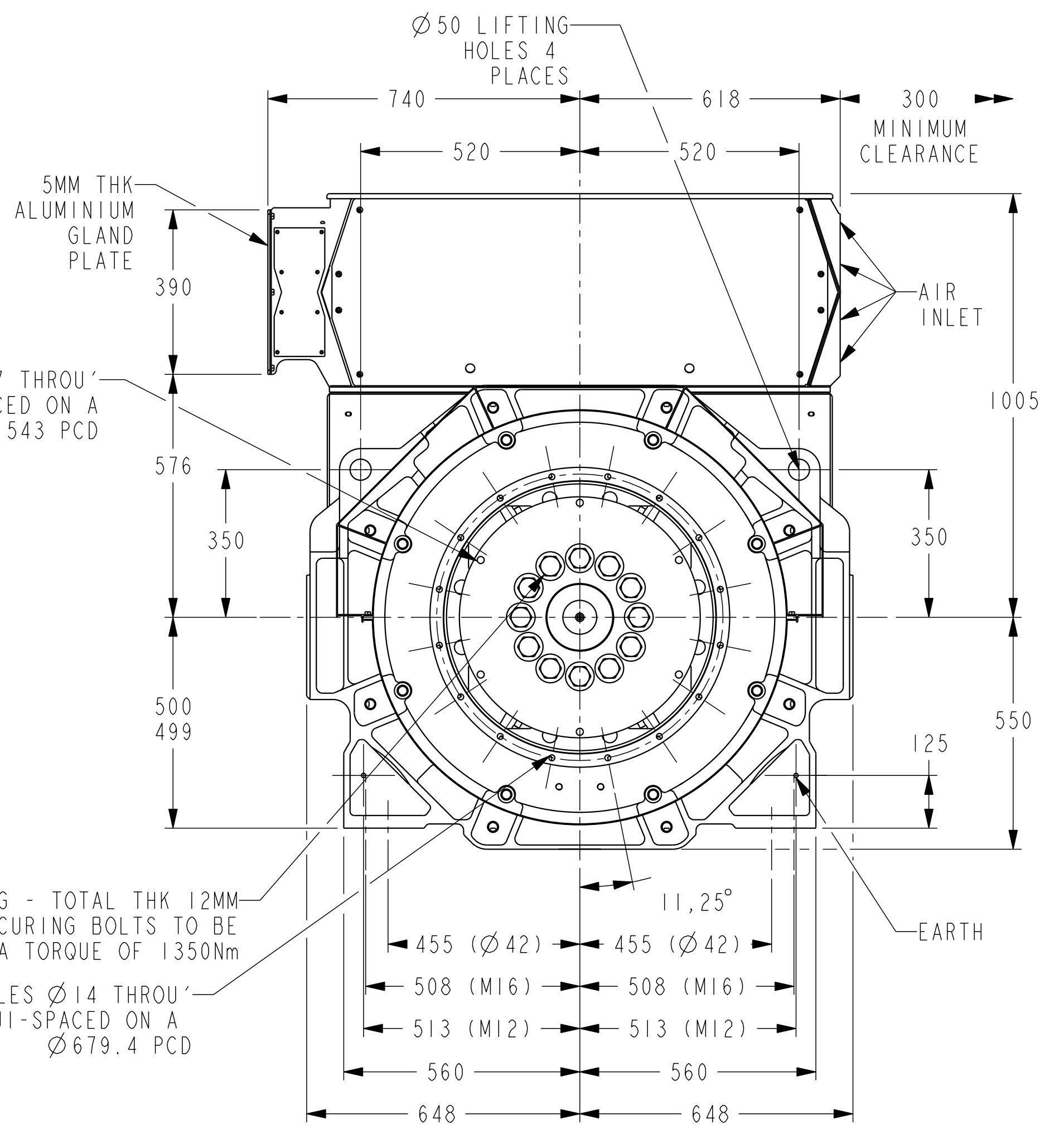
REL NO	REV	DETAIL	DWN	CKD	APVD	DATE
ECO-117906	A	PRODUCTION RELEASE.	JWS	AGS	AS	05JUL11



6 HOLES Ø16,7 THRU' EQUI-SPACED ON A Ø543 PCD

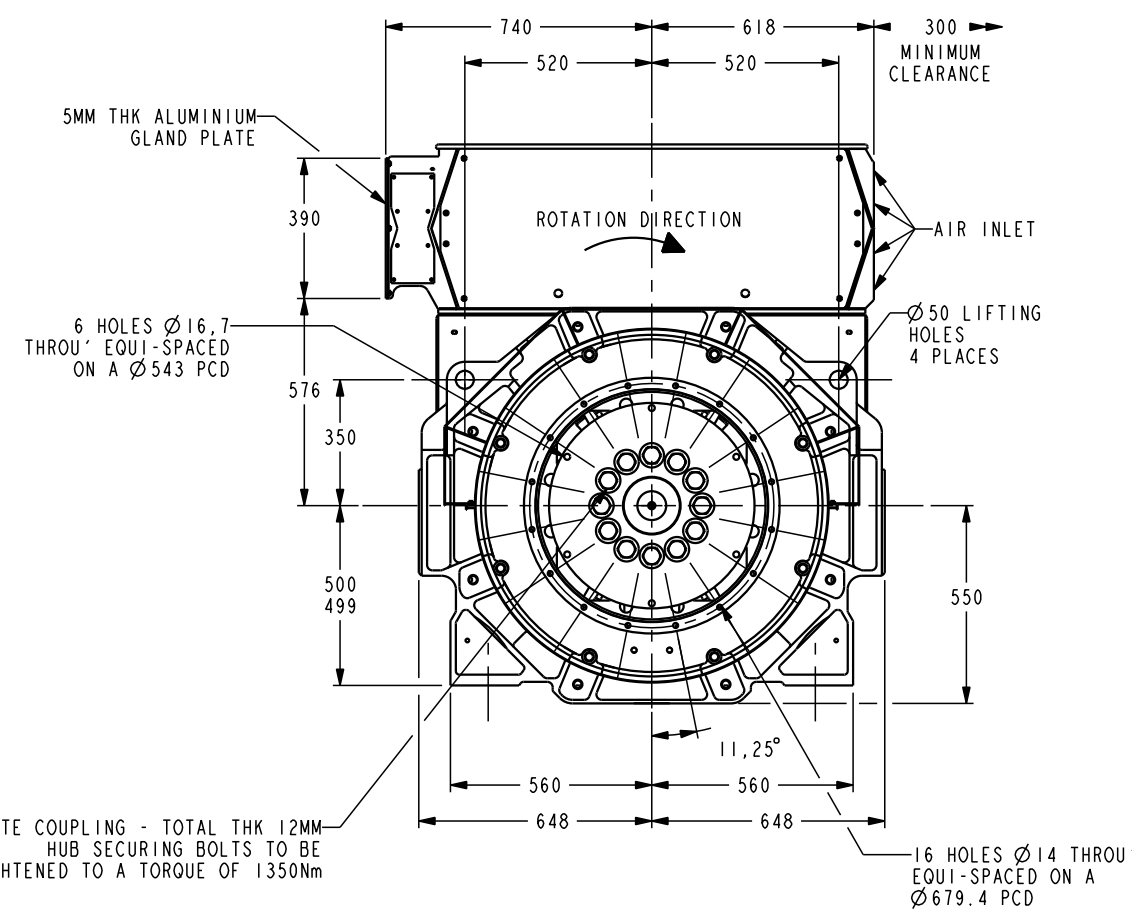
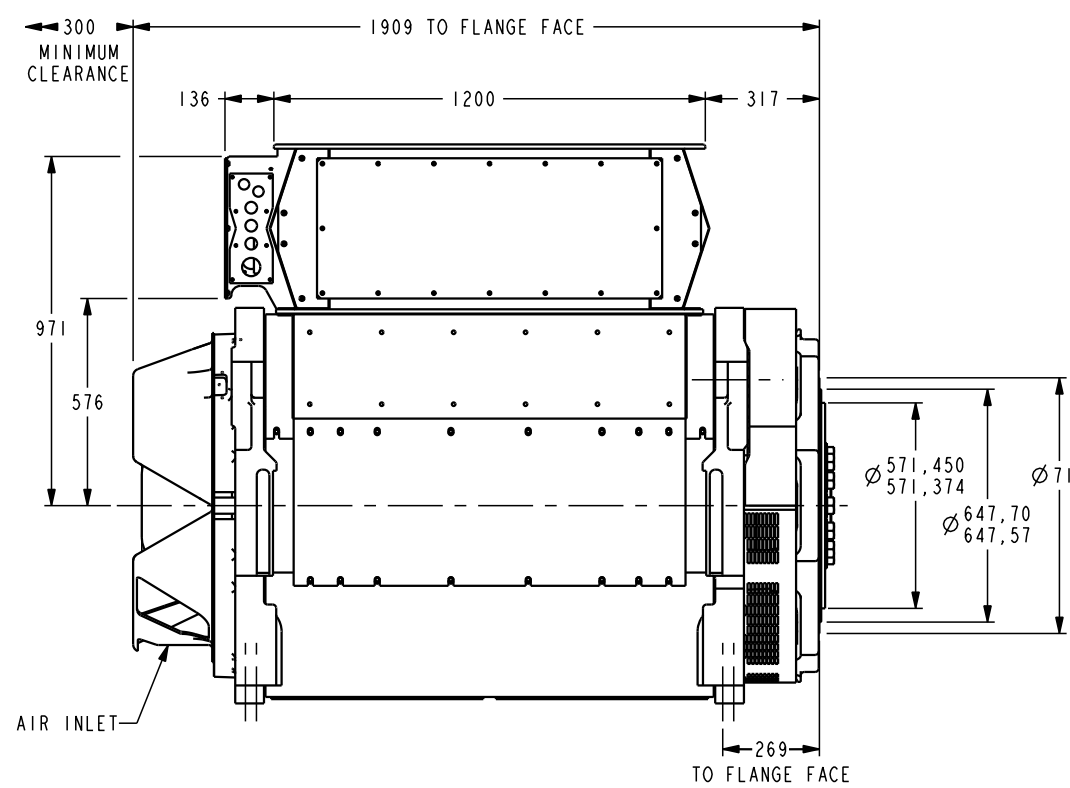
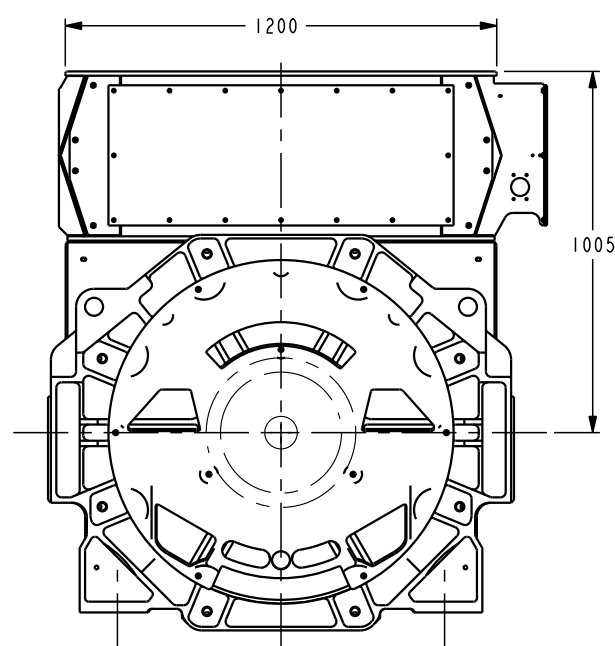
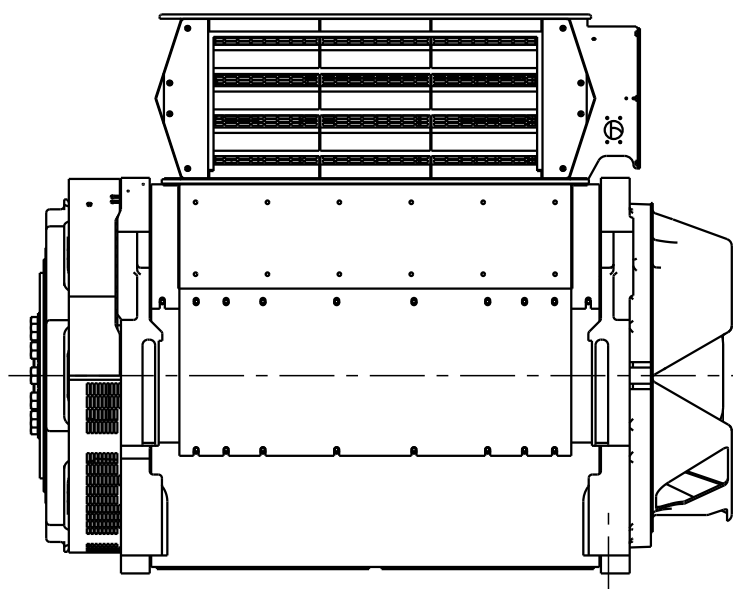
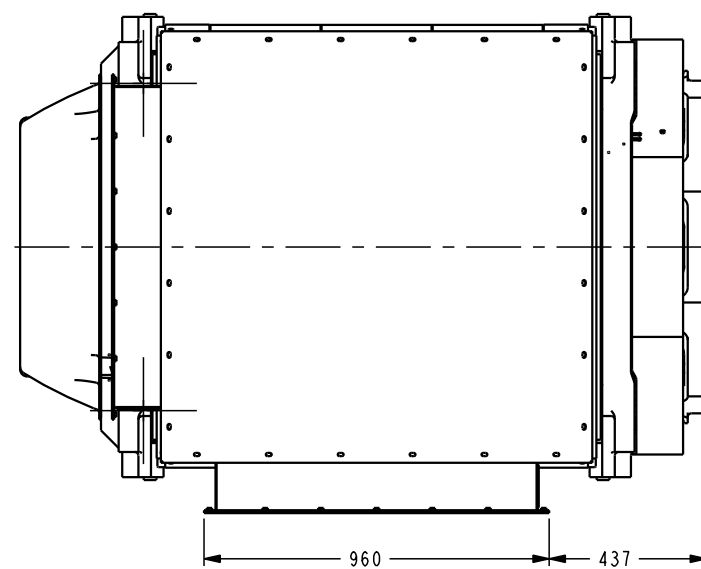
10 PLATE COUPLING - TOTAL THK 12MM HUB SECURING BOLTS TO BE TIGHTENED TO A TORQUE OF 1350Nm

16 HOLES Ø14 THRU' EQUI-SPACED ON A Ø679.4 PCD

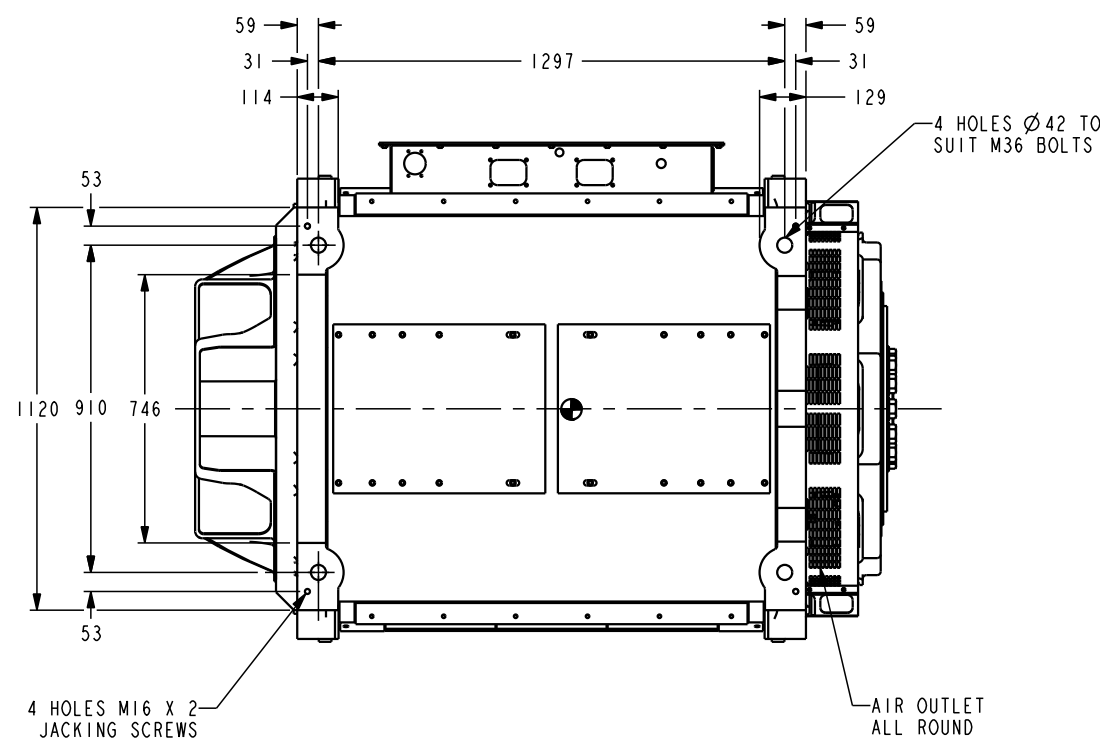


UNLESS OTHERWISE SPECIFIED, ALL DIMENSIONS ARE IN MILLIMETERS		SIM TO	DWN JWS		CUMMINS GENERATOR TECHNOLOGIES	
DIM		DO NOT SCALE PRINT	CKD AGS		P80 ALTERNATOR LV T CORE	
X ± 1	HOLE		APVD AS	500 INTEGRATED FOOT / SAE018 ADAPTOR		
X.X ± 0,1			DATE 05JUL11	SITE CODE		
X.XX ± 0,01				STA		
ANG TOL: ± 0,5°		SCALE: 1:10	FOR INTERPRETATION OF DIMENSIONING AND TOLERANCING, SEE ASME Y14.5M-1994	FIRST USED ON	DWG SIZE A2	
				STA	A040N643	
				SHEET	REV	
				1	A	

REV NO	REV	DETAIL	DRW CDD	APVD	DATE
ECO-117906	A	PRODUCTION RELEASE	JWS/AGS	AS	05 JUL 11



10 PLATE COUPLING - TOTAL THK 12MM  
HUB SECURING BOLTS TO BE  
TIGHTENED TO A TORQUE OF 1350Nm



FRAME	P80
CORE LENGTH	T
VOLTAGE RATING	LV
BEARINGS	I
CENTRE HEIGHT	INTEGRAL 500
ADAPTOR	SAE0
COUPLING	SAE18
ENCLOSURE	IP23
CABLE ENTRY	FROM DE LEFT

UNLESS OTHERWISE SPECIFIED, ALL DIMENSIONS ARE IN MILLIMETERS		DO NOT SCALE PRINT	DATE 05 JUL 11	PROPERTY OF CUMMINS GENERATOR TECHNOLOGIES
X ± 1	0.00-4.99 +0.15/-0.08			
X.X ± 0.1	5.00-9.99 +0.20/-0.10			
X.XX ± 0.01	10.00-17.49 +0.25/-0.13			
	17.50-24.99 +0.30/-0.13			
ANG TOL: ± 0.5°	SCALE: 1:10			

DRW NO	JWS	CDD	AGS	APVD	AS	DATE	05 JUL 11
CUMMINS GENERATOR TECHNOLOGIES							
P80 ALTERNATOR LV T CORE							
500 INTEGRATED FOOT / SAE0/18 ADAPTOR							
SITE CODE							
STA	AD	A040N643					
SHEET	2						
REV	A						