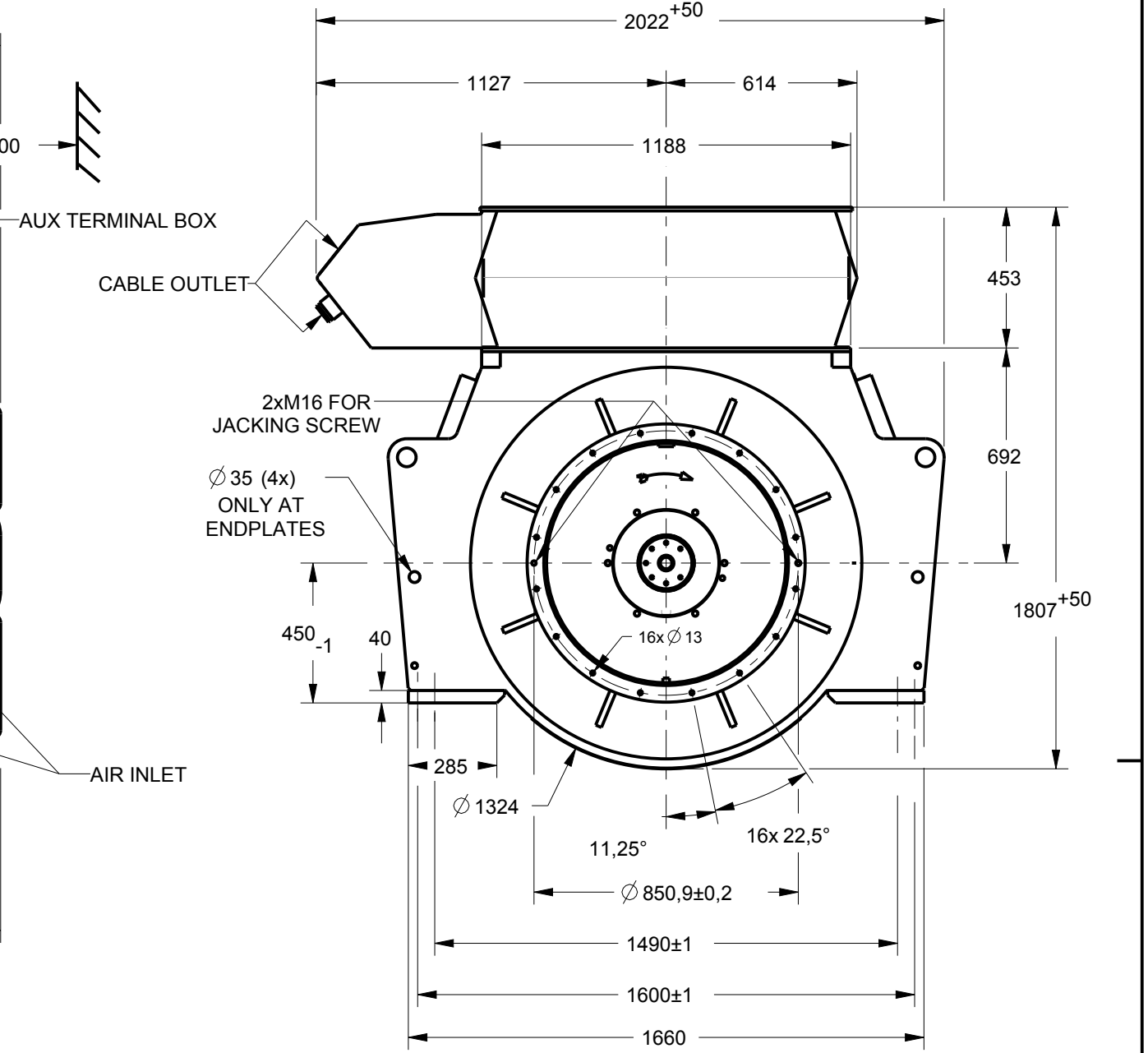
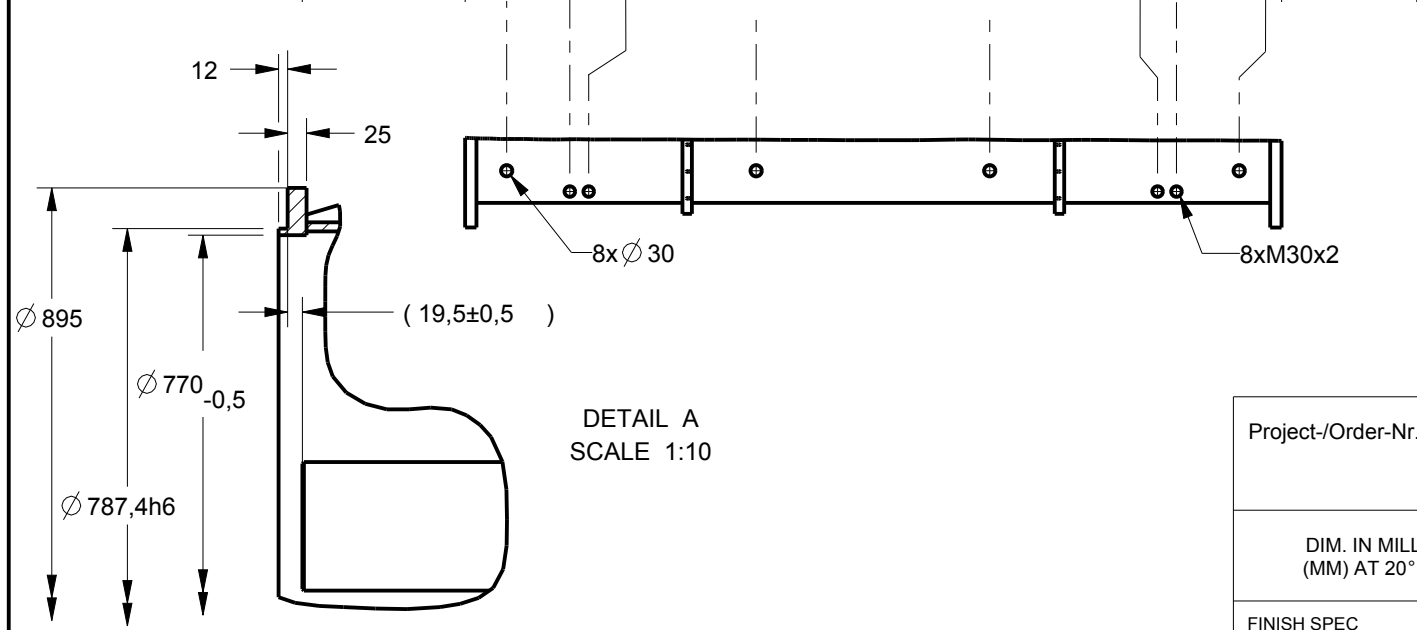
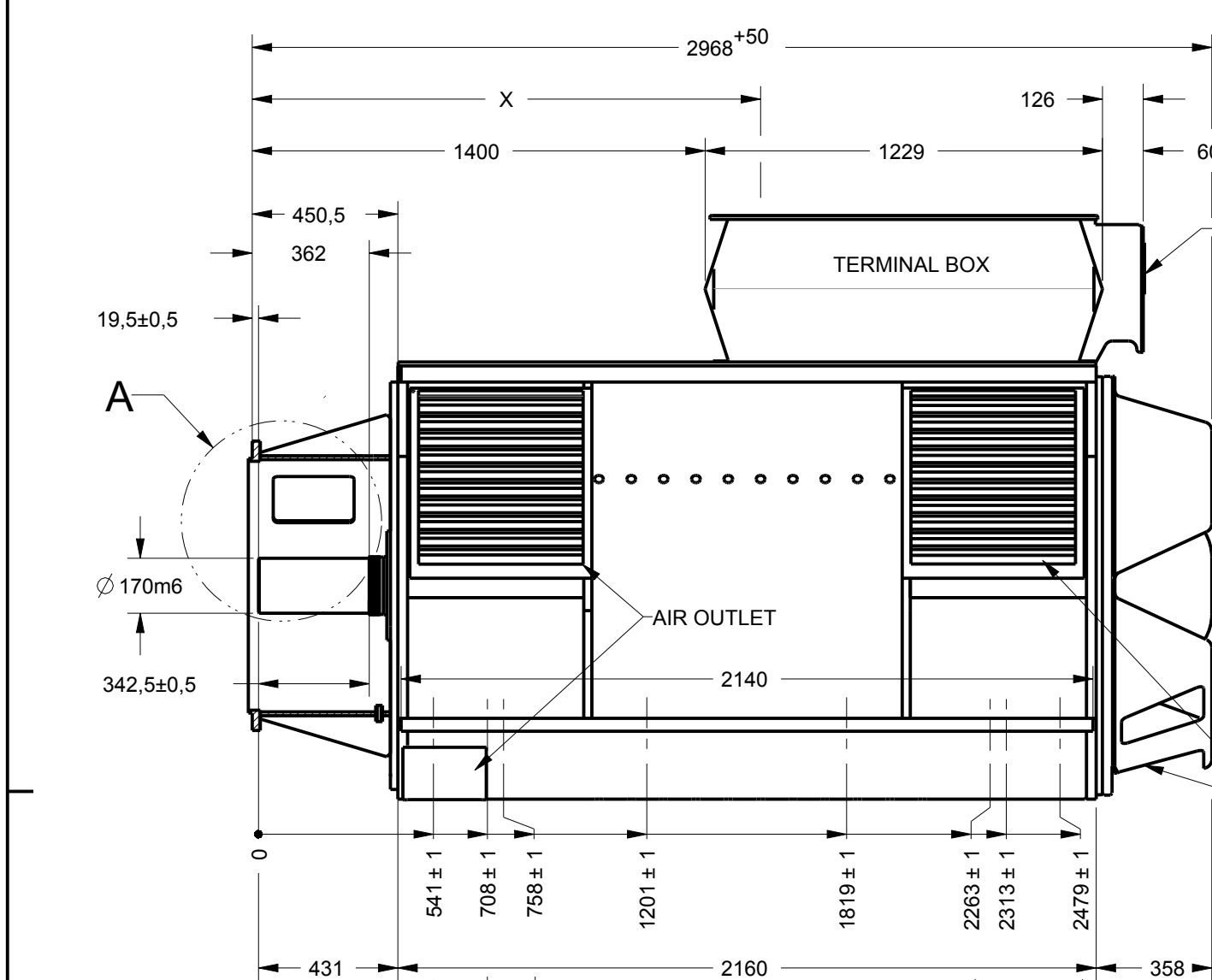


SIZE <b>A3</b>	REL. PHASE <b>P</b>	DRAWING-NO. <b>AZ13003</b>	REV. <b>B</b>
-------------------	------------------------	-------------------------------	------------------



TYPE	WEIGHT	CENTER OF GRAVITY (X)	ROTOR DRAWING
DIG 142 f	11764 KG	1339 mm	83733
DIG 142 g	13096 KG	1362 mm	
DIG 142 h	13096 KG	1394 mm	
DIG 142 i	13959 KG	1434 mm	

REV.	DRAWN	CHECKED	DATE	MODIFICATION
B	YS	AMD	03.02.12	Jackscrew potion changed
A	YS	AMD	25.01.12	ORIGINAL ISSUE

Project-/Order-Nr.: Cummins		DIMENSION DRAWING ALTERNATOR Type: DIG142 f/g/h/i	
DIM. IN MILLIMETERS (MM) AT 20° C [68° F]		PROJECTION	
FINISH SPEC -		WEIGHT =	
GEOMETRY SPEC ISO 2768v		DRAWN YS 25.01.12	
The reproduction, distribution and utilization of this document as well as the communication of its contents to others without explicit authorization is prohibited. Offenders will be held liable for the damages. All rights reserved in the event of the grant of a patent, utility model or design.		CHECKED AMD 25.01.12	
		APPR.	
		SCALE 1:20	
MATERIAL -		SIZE A3	
REPRODUCTION RIGHTS RESERVED		DRAWING-NO. AZ13003	
Rev. B		PAGE 1 from 1	