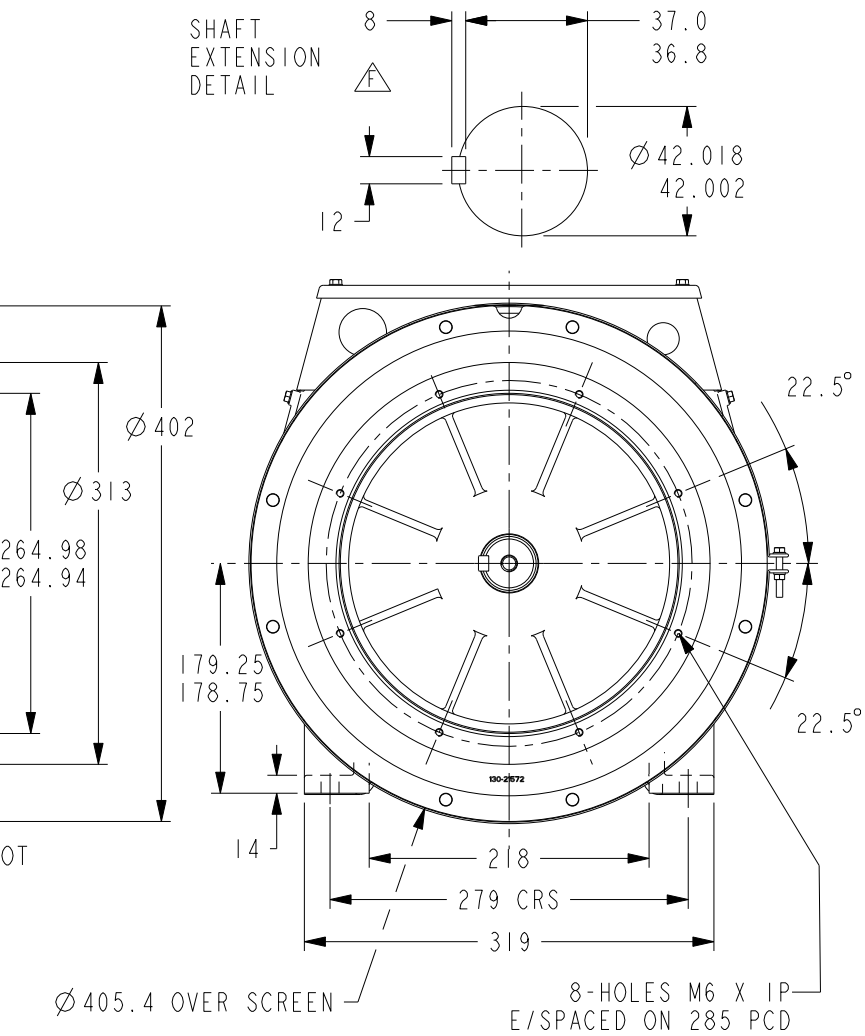
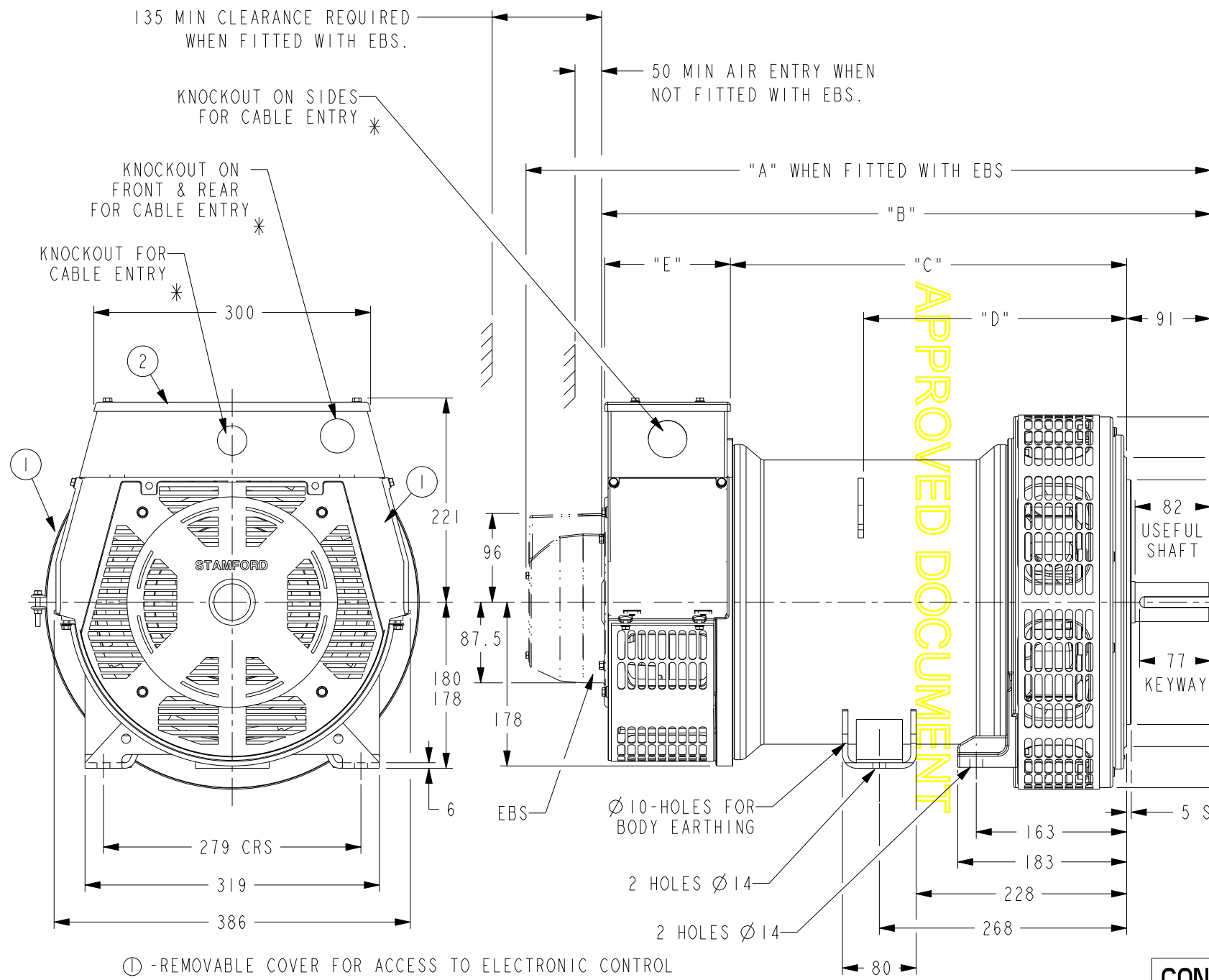


DRG. SIZE C	REL. PHASE P	PART No 19-1036	ISSUE G
----------------	-----------------	--------------------	------------

IF IN DOUBT-ASK
DO NOT SCALE

DIMENSIONS						
FRAME	"A"	"B"	"C"	"D"	"E"	NETT WT. (Kg)
PI4D2 / PI2D2	642	560	350	240	116	123.5
PI2E2	667	585	375	251	116	138
PI4E2	687	605	375	251	136	138
PI2F2	682	600	390	265	116	146.5
PI4F2	702	620	390	265	136	146.5
PI2G2	722	640	430	285	116	163
PI4G2	742	660	430	285	136	163



- ① -REMOVABLE COVER FOR ACCESS TO ELECTRONIC CONTROL
- ② -REMOVABLE COVER FOR ACCESS TO MAIN TERMINALS
- * FOR KNOCKOUT DETAILS REFER TERMINAL BOX DRAWING

MOD.	ISSUE	DRAWN	DATE	MODIFICATION
5-0223-51	G	SAB	29/03/10	TOLERANCE ADDED FOR CENTER HEIGHT.
5-0223-40	F	DW	6/1/10	CORRECTED SHAFT EXTENSION KEYWAY SIZE , WAS 14 X 9 NOW 12 X 8
4-9667-82	E	BJ	19:06:09	PRO-E DRG. CONVERTED TO DXF
4-9346-54	D	BSR	20/02/08	NOTE FOR KNOCKOUT DETAILS ADDED & FRAME SIZE CORRECTED
-	-	-	-	PREVIOUS MODS :- 4-8440-97 , 4-9111-10 , 4-9346-21

CONFIDENTIAL PROPERTY OF
CUMMINS GENERATOR TECHNOLOGIES LTD.

DIMENSIONS IN MILLIMETRES (MM) AT 20°C

UNLIMITED DIMS ± --

PROJECTION

DRAWN	BSR	20.06.07
CHECKED	DW	6/1/10
APPROVED	JB	6/1/10

PI D/E/F/G

2-BRG ALTERNATOR

DRG. SIZE C	SCALE 3:10
REL. PHASE P	PART No 19-1036
PRO/ENGINEER	ISSUE G
SHEET 1 OF 1 SHEETS	