

REL NO	REV	DETAILS	DWN	CDK	APVD	DATE
ECO-141197	C	ADDED PG7R (4p) TO TITLE BLOCK AND C OF G TABLE	DW	SMH	SFA	07FEB14

D

D

C

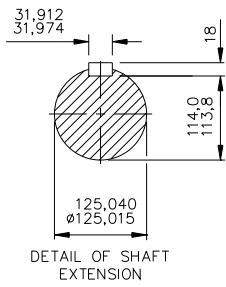
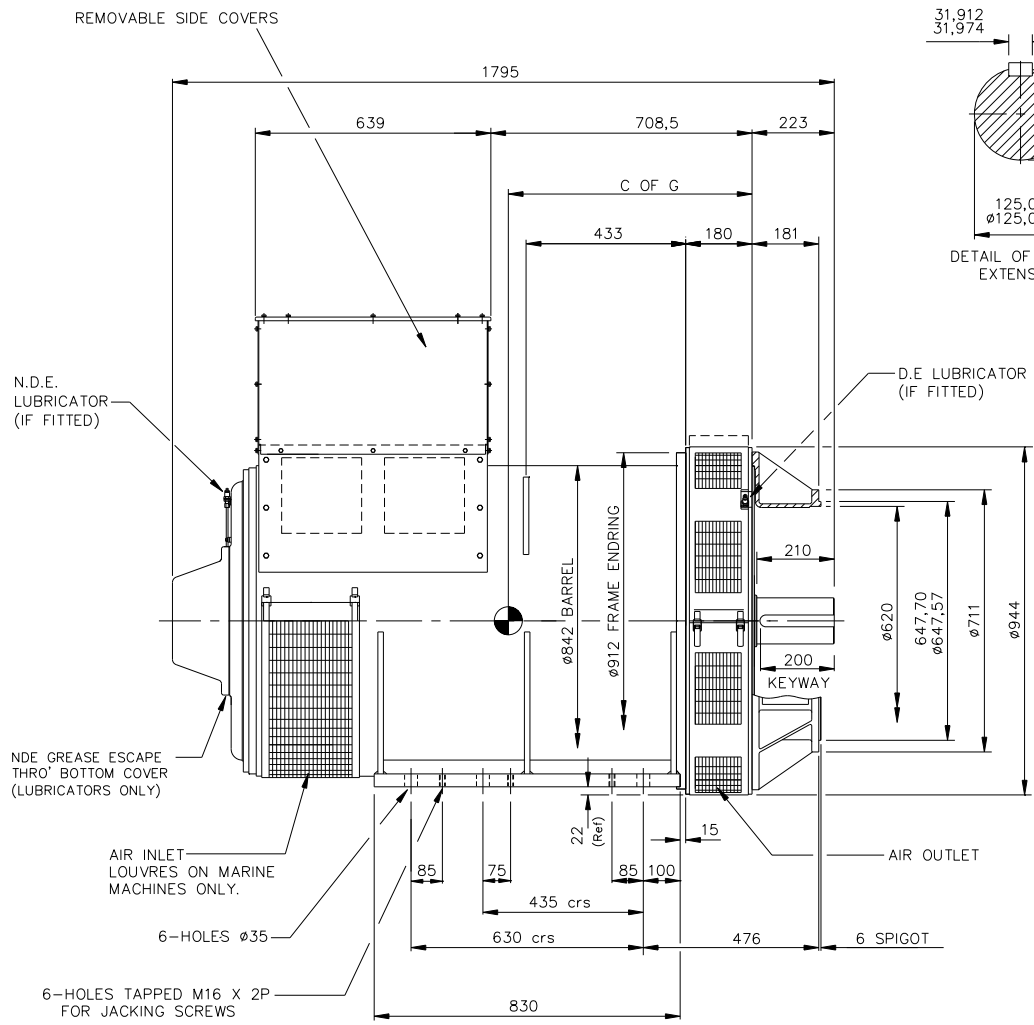
C

B

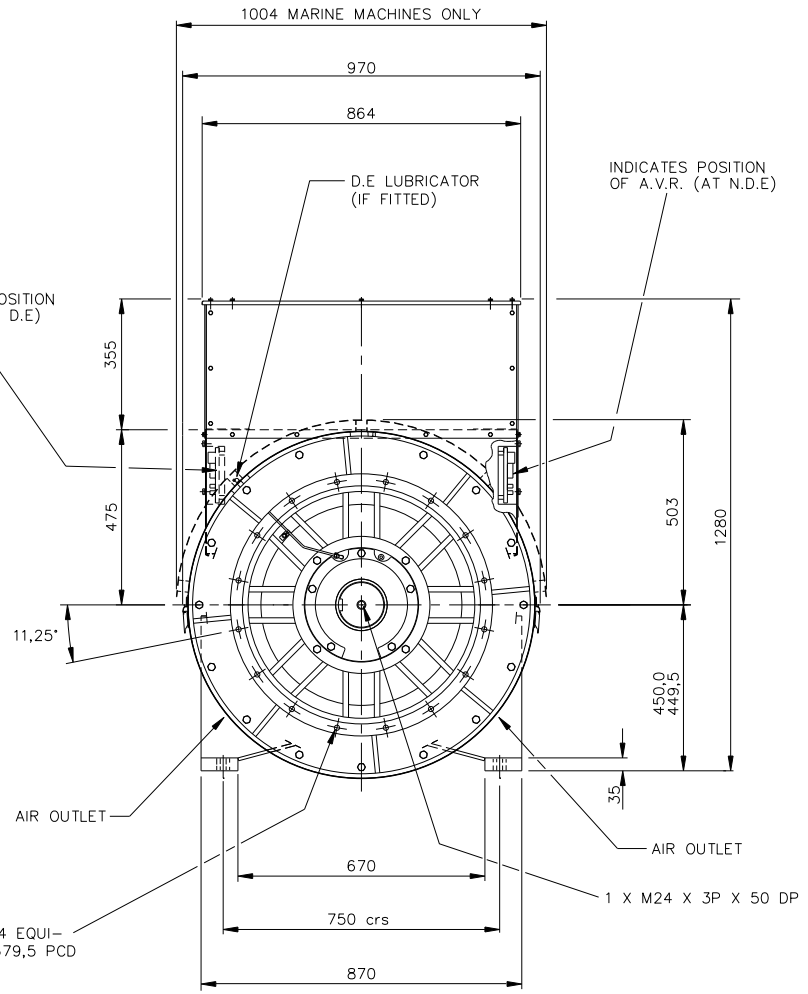
B

A

A



ALTERNATE POSITION OF A.V.R. (AT D.E.)



CORE	C OF G	WEIGHT (KG)
A (4p)	640	2710
B (4p)	640	2710
C (4p)	680	2967
B (6p)	640	2630
R (4p)	650	3130

NOTE: - CUSTOMER MAY CUT CABLE ENTRY HOLES AS REQUIRED IN ANY OF THE FOUR TERMINAL BOX SIDES SUBJECT TO POSITION OF AVR, TERMINALS, ETC.

CUSTOMER MUST ENSURE THAT AIR INLET & OUTLET POSITIONS ARE NOT OBSTRUCTED

UNLESS SPECIFIED ALL DIMENSIONS ARE IN MILLIMETERS			CUMMINS GENERATOR TECHNOLOGIES	
DO NOT SCALE PRINT	DRAWN AV		DRAWING, GENERAL ASSEMBLY P7 A/B/C (4p), P7B (6p) AND PG7R (4p) 2-BRG ALTERNATOR WITH S.A.E No 0 ADAPTOR STANDARD TERMINAL BOX - STANDARD FEET	
	CHECKED AV	SITE CODE	STA	DWG SIZE A2
	APPROVED DPC			
CONFIDENTIAL	DATE 15MAR05	FIRST USED ON	1	REV C
PROPERTY OF CUMMINS GENERATOR TECHNOLOGIES	SCALE 1:10			