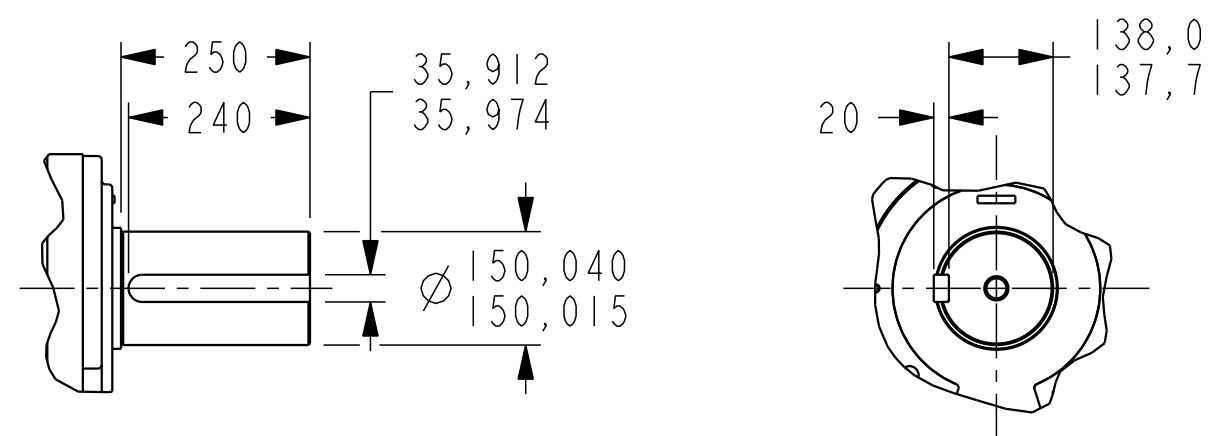
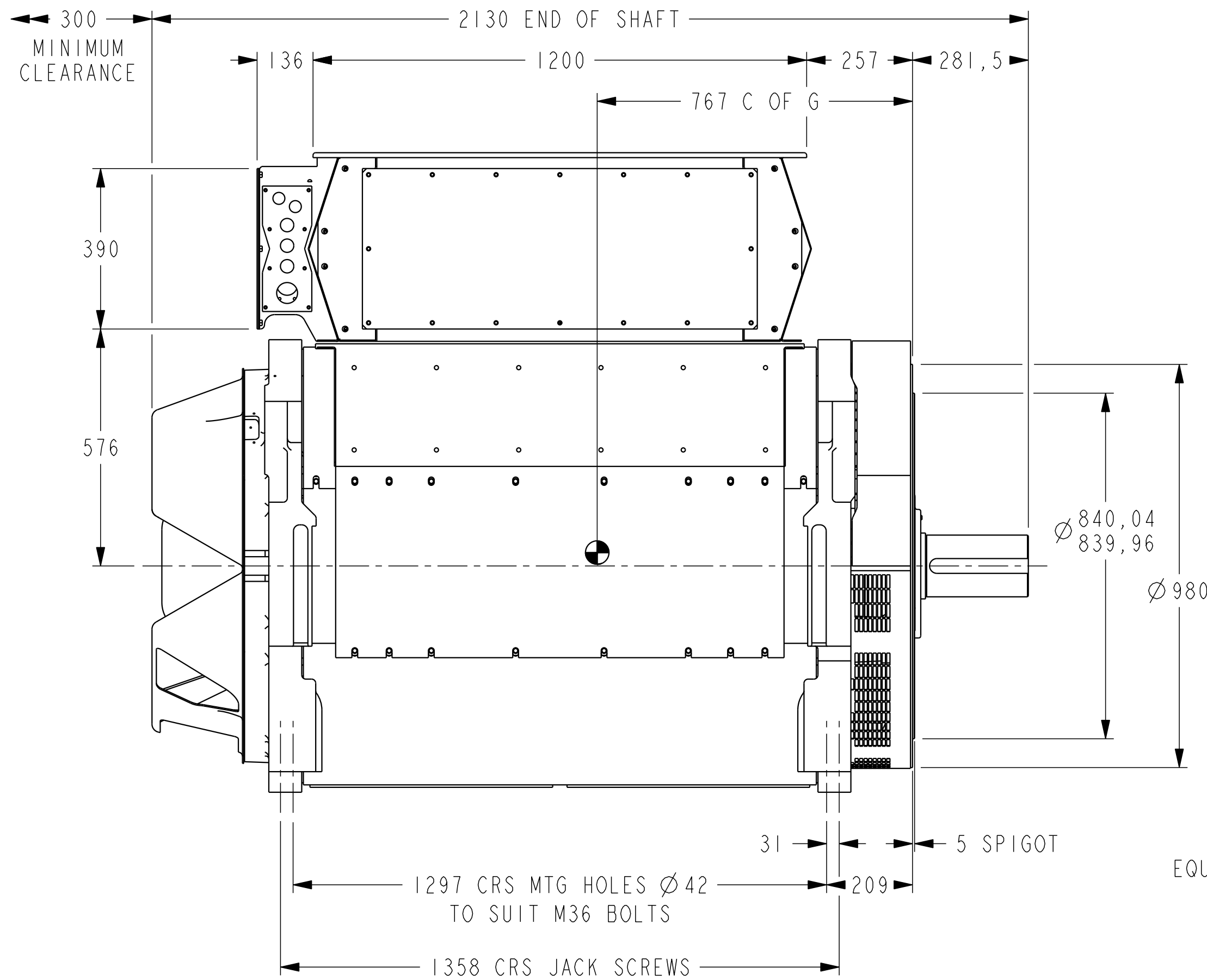


REL NO	REV	NO	REVISION	DWN	CKD	APVD	DATE
ECO-175001	B	1	DRAWING BORDER AND DIMENSIONING SCHEME UPDATED	AS	DGL	W. COOKE	29 JAN 18



2 BEARING DETAIL SCALE 1:10

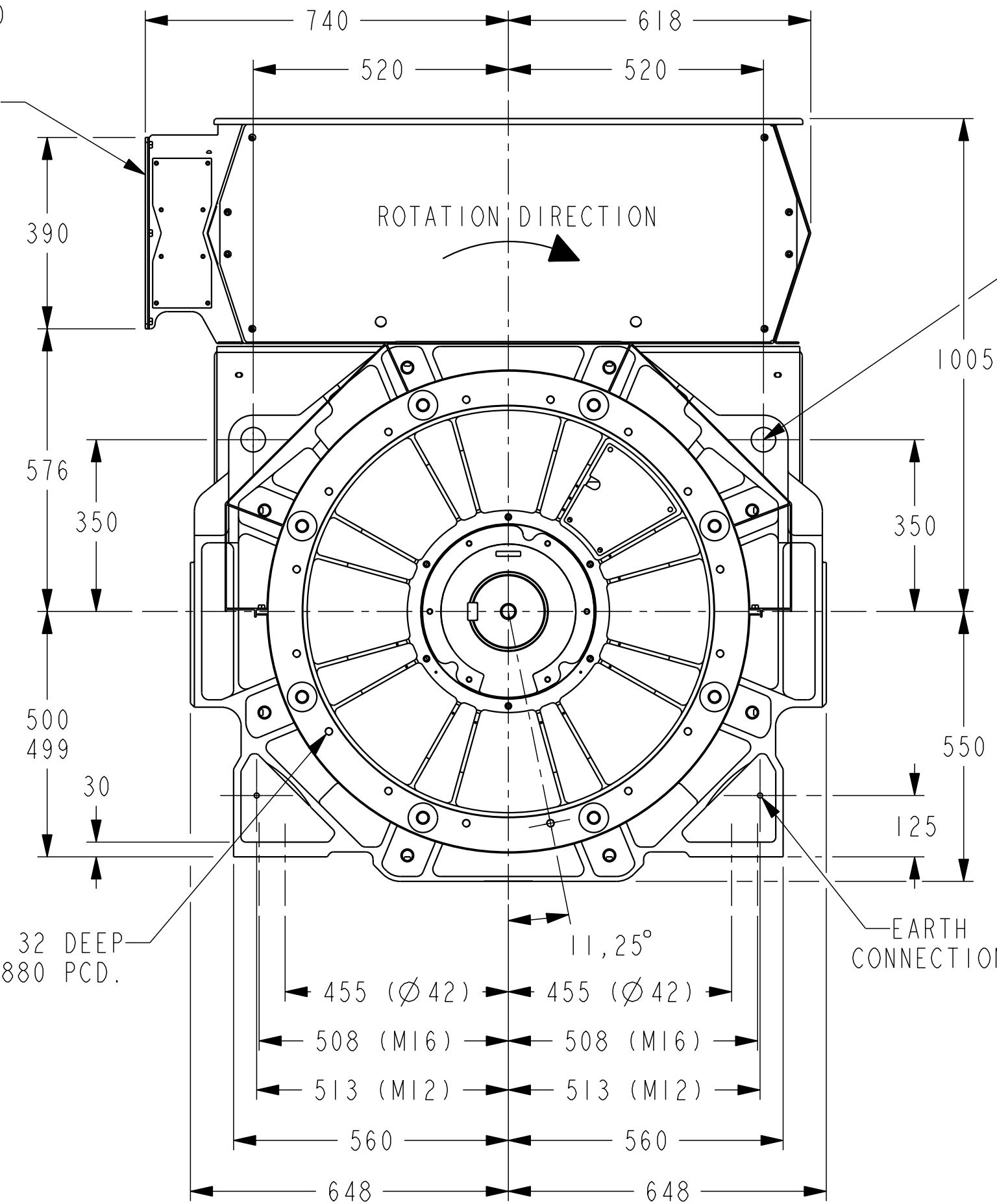
Ø50 LIFTING HOLES 4 PLACES



5mm THK ALUMINIUM GLAND PLATE

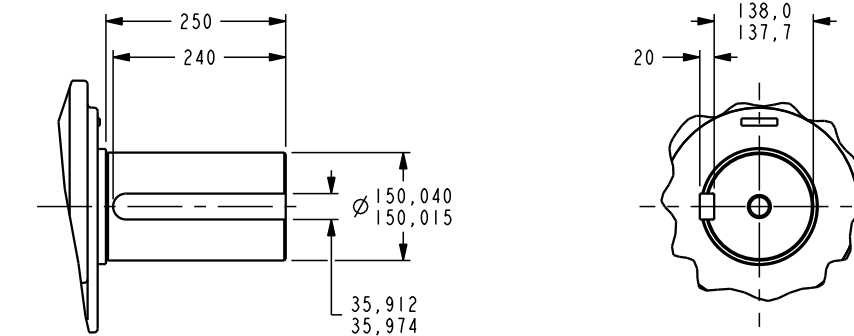
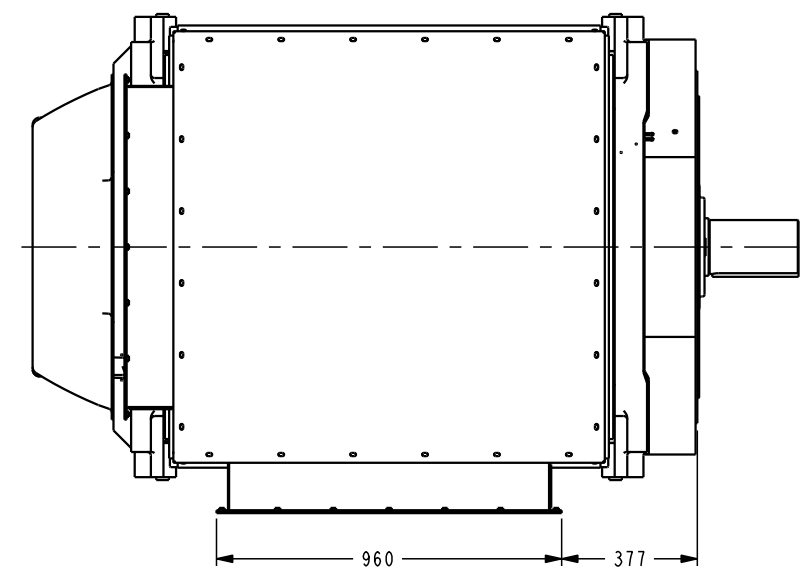
ROTATION DIRECTION

16-HOLES M16 X 32 DEEP EQUI-SPACED ON AN 880 PCD.

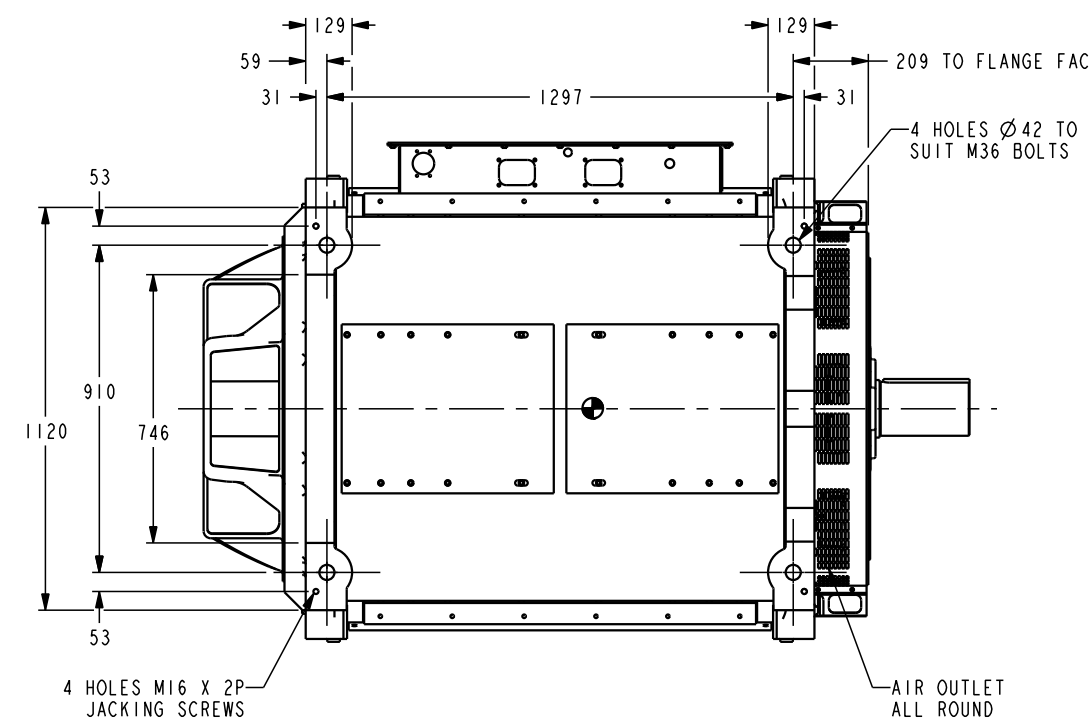
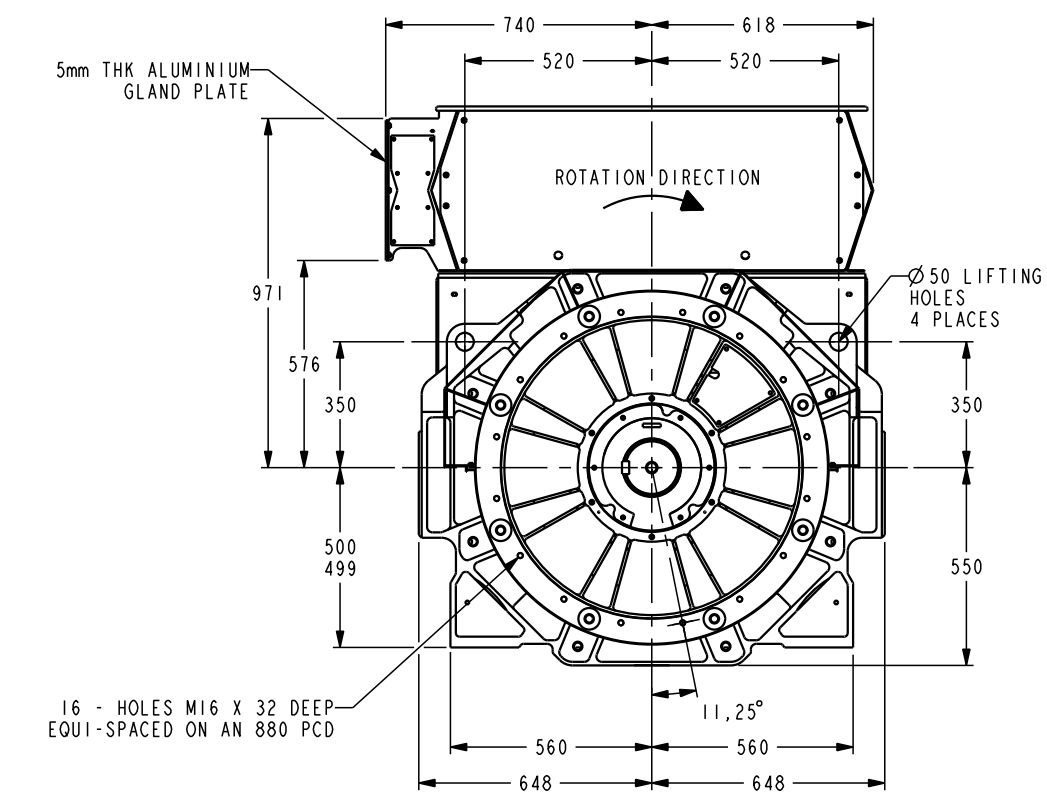
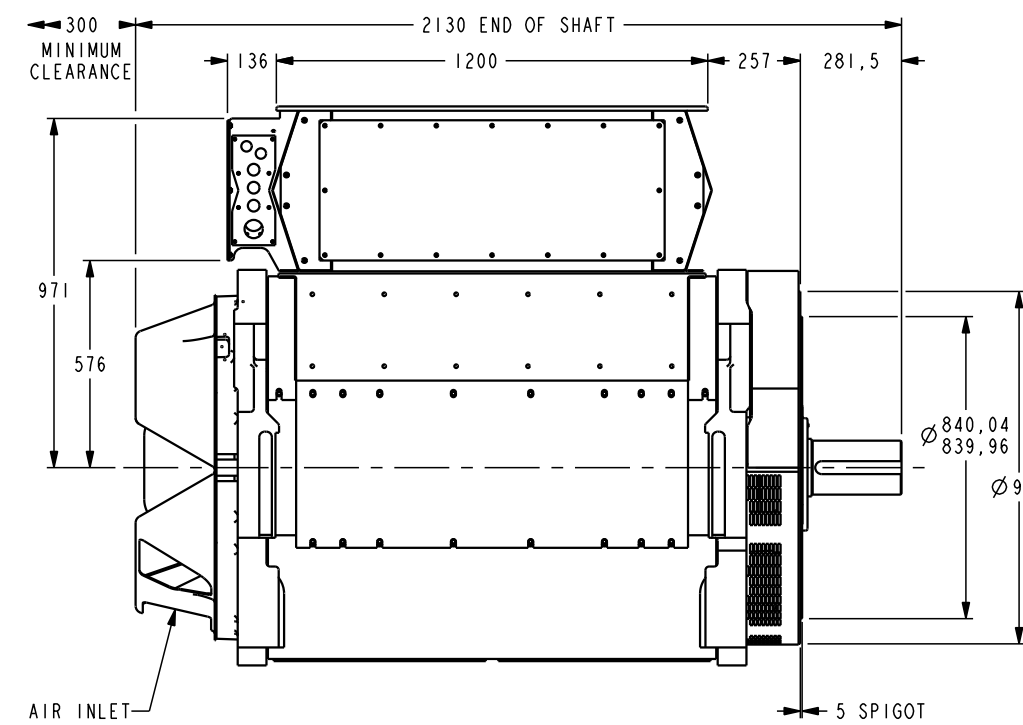
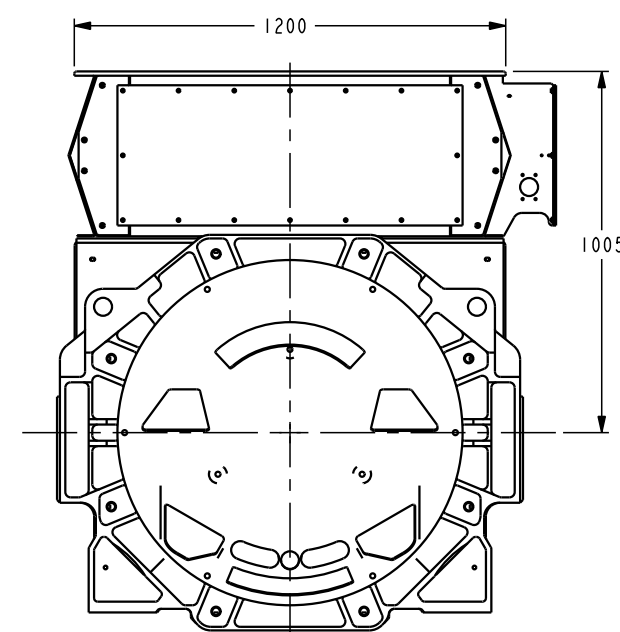
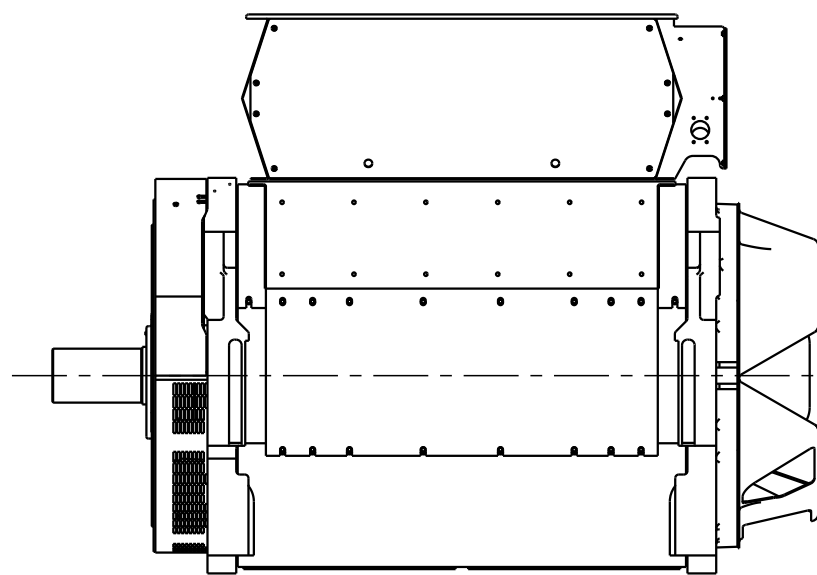


ESTIMATED WEIGHT BASED ON CAD MODEL: 5368KG NOT FOR INSPECTION

UNLESS OTHERWISE SPECIFIED, ALL DIMENSIONS ARE IN MILLIMETERS SCALE 1:10	SIM TO	DWN I. MUGHAL		CUMMINS GENERATOR TECHNOLOGIES	
	DO NOT SCALE PRINT	CKD I. MUGHAL		DRAWING, GENERAL ASSEMBLY	
THIS DOCUMENT (AND THE INFORMATION SHOWN THEREON) IS CONFIDENTIAL AND PROPRIETARY AND SHALL NOT BE DISCLOSED TO OTHERS IN HARD COPY OR ELECTRONIC FORM, REPRODUCED BY ANY MEANS, OR USED FOR ANY PURPOSE WITHOUT WRITTEN CONSENT OF CUMMINS INC.		APVD R. MACMENEY	SITE CODE	P80 MV R CORE / INTEGRATED FOOT	
		DATE 11SEP07		FOR INTERPRETATION OF DIMENSIONING AND TOLERANCING, SEE ASME Y14.5-2009	FIRST USED ON



**2 BEARING SHAFT DETAIL**  
SCALE 1:5



ESTIMATED WEIGHT BASED ON CAD MODEL: 5368KG NOT FOR INSPECTION

UNLESS OTHERWISE SPECIFIED, ALL DIMENSIONS ARE IN MILLIMETERS	DO NOT SCALE PRINT	APP'D I. MUGHAL	DATE 11 SEP 07	SITE CODE	STA	80-2394	CUMMINS GENERATOR TECHNOLOGIES DRAWING, GENERAL ASSEMBLY P80 MV R CORE / INTEGRATED FOOT	CAD SHEET 2 of 2
---	--------------------	-----------------	----------------	-----------	-----	---------	--	---------------------