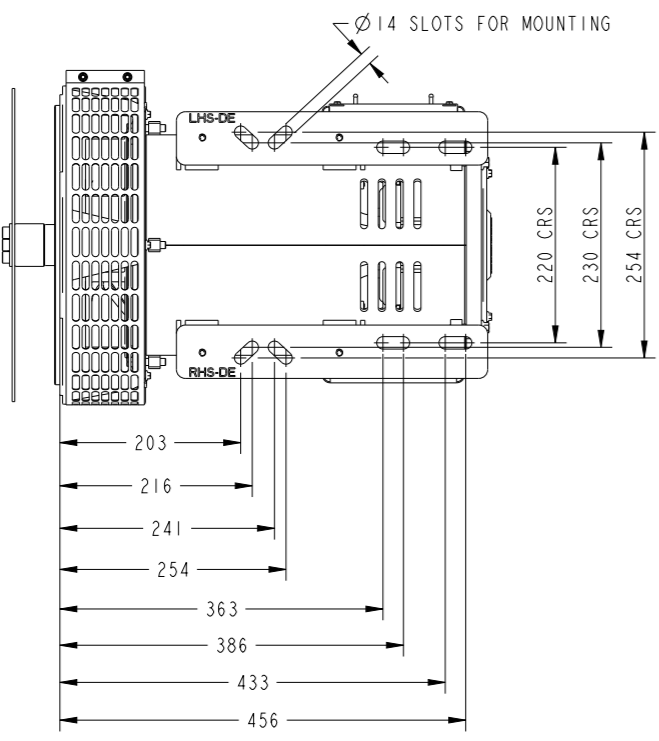
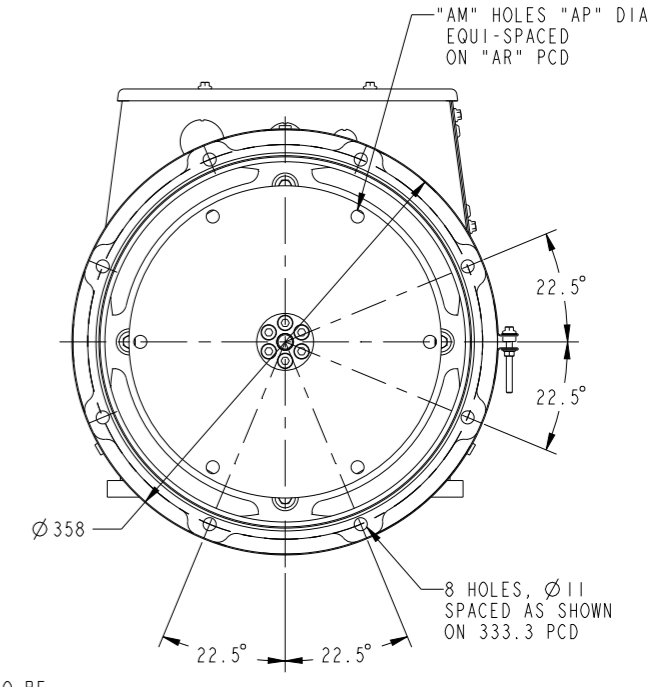
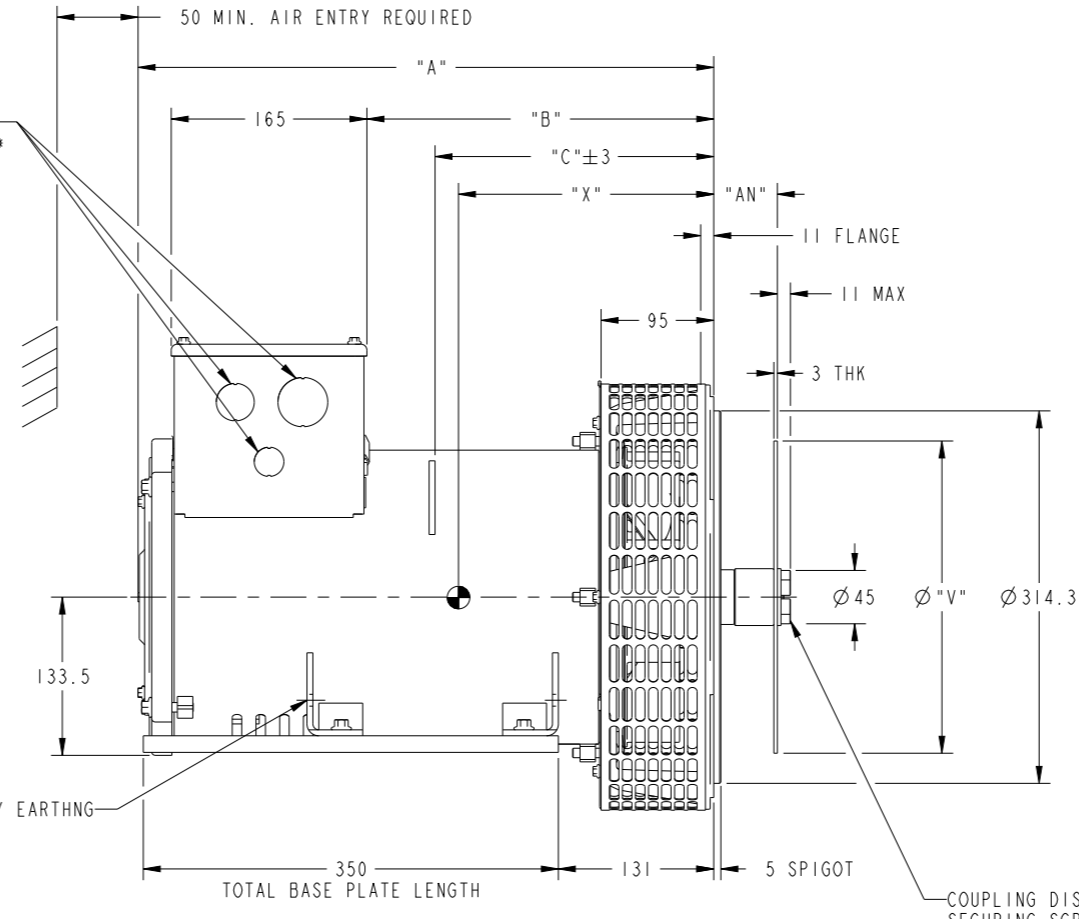
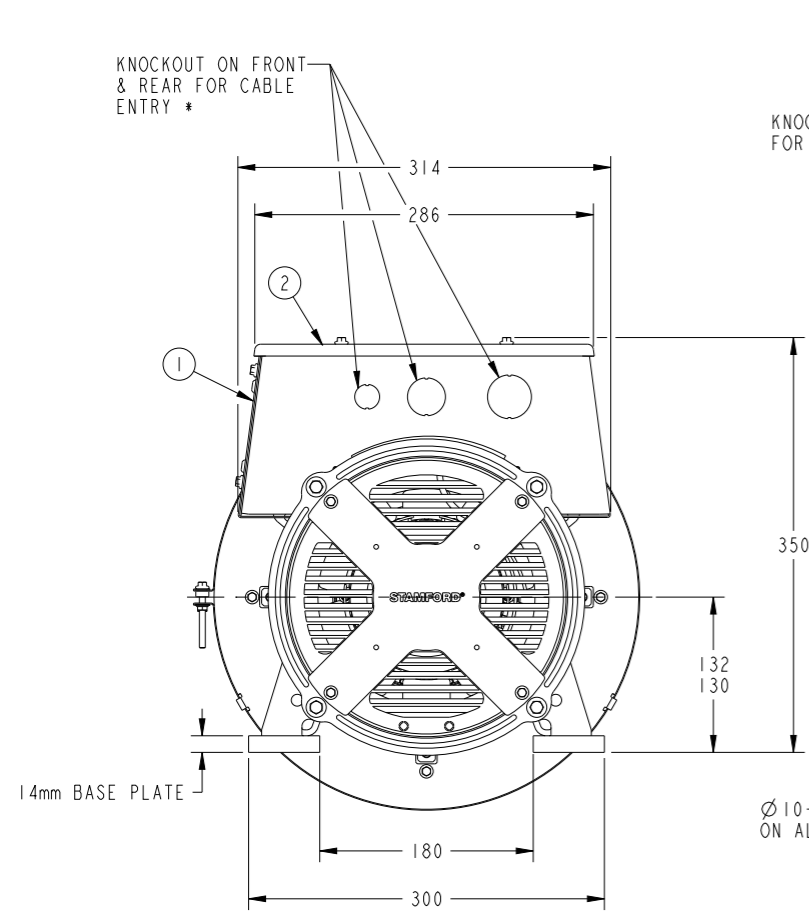


TABULATION						
FRAME	CURRENT ER	"A"	"B"	"C"	"X"	NETT WT (Kg)
SOLI-DI	ECO-166489	405.5	212	167	197	68
SOLI-HI	ECO-166489	440.5	247	202	215	76
SOLI-JI	ECO-166489	440.5	247	202	212	77
SOLI-LI	ECO-166489	485.5	292	235	243	86
SOLI-PI	ECO-166489	485.5	292	235	236	91
SOLI-SI	ECO-166489	485.5	292	235	233	92

COUPLING DISC					
SAE	"AN"	"AM"	"AP"	"AR"	"V"
6.5	30.2	6	8.7	200.0	215.8
7.5	30.2	8	8.7	222.3	241.2

REL NO	REV	DETAIL	DWN CKD	APVD	DATE
ECO-166489	E	PRODUCTION RELEASE	KDP/UKD	S. JOSHI	02DEC16

①-REMOVABLE COVER FOR ACCESS TO AVR
 ②-REMOVABLE COVER FOR ACCESS TO MAIN TERMINALS
 * FOR KNOCKOUT DETAILS REFER TERMINAL BOX DRAWING



SCALE 1:4
FOOT PRINT VIEW

UNLESS OTHERWISE SPECIFIED, ALL DIMENSIONS ARE IN MILLIMETERS		SHEET NO. -		DWN K. PAWAR	
DO NOT SCALE PRINT		CDX U. DAGWALE		CUMMINS GENERATOR TECHNOLOGIES	
APVD S. JOSHI		DATE 01JAN16		1 BEARING ALTERNATOR SAE 5 ADAPTOR SOLI 4-POLE (132CH)	
SCALE: 1:3		FOR INTERPRETATION FIRST USED ON PROPERTY OF CUMMINS GENERATOR TECHNOLOGIES		SHEET 1 REV E	