

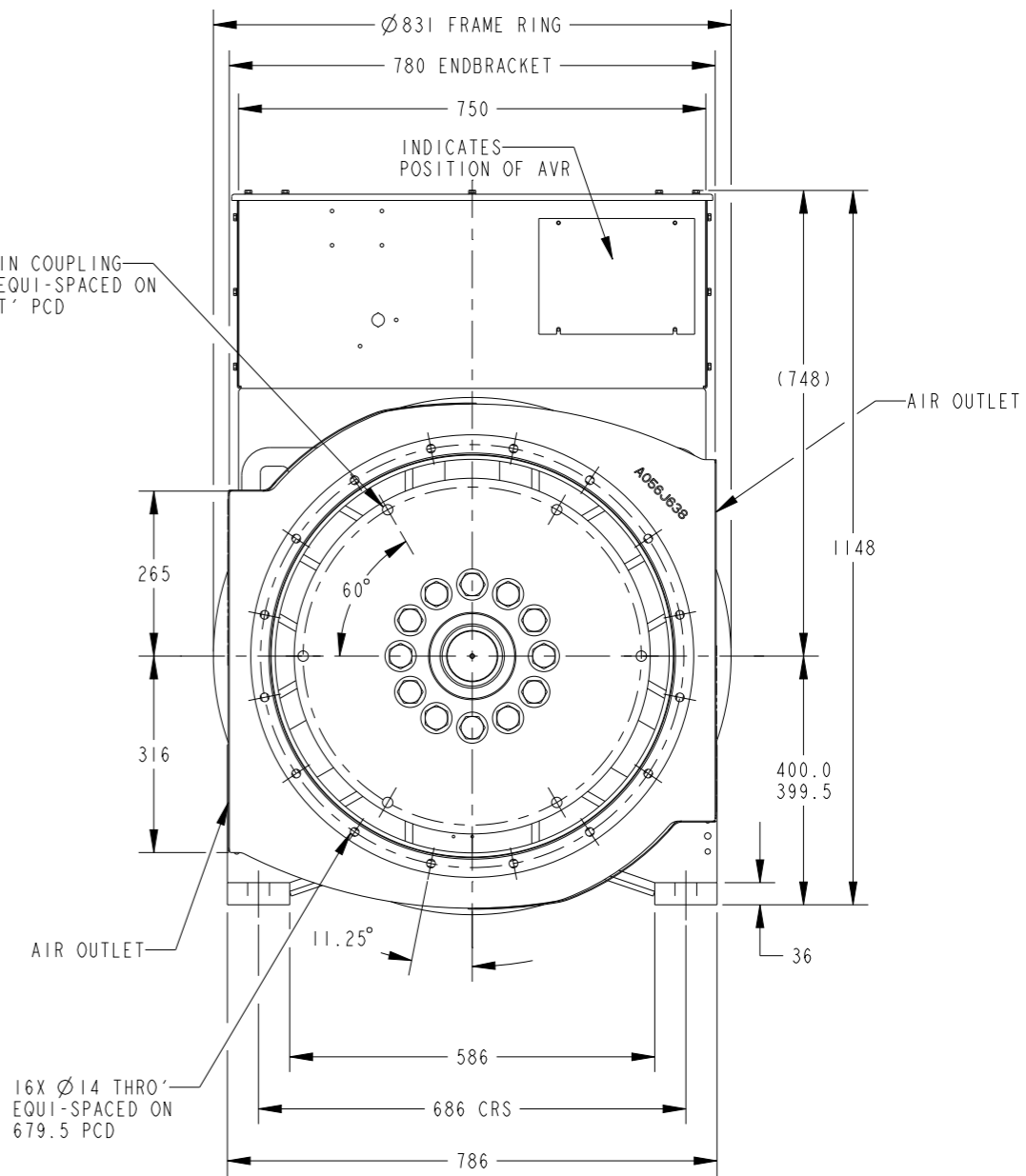
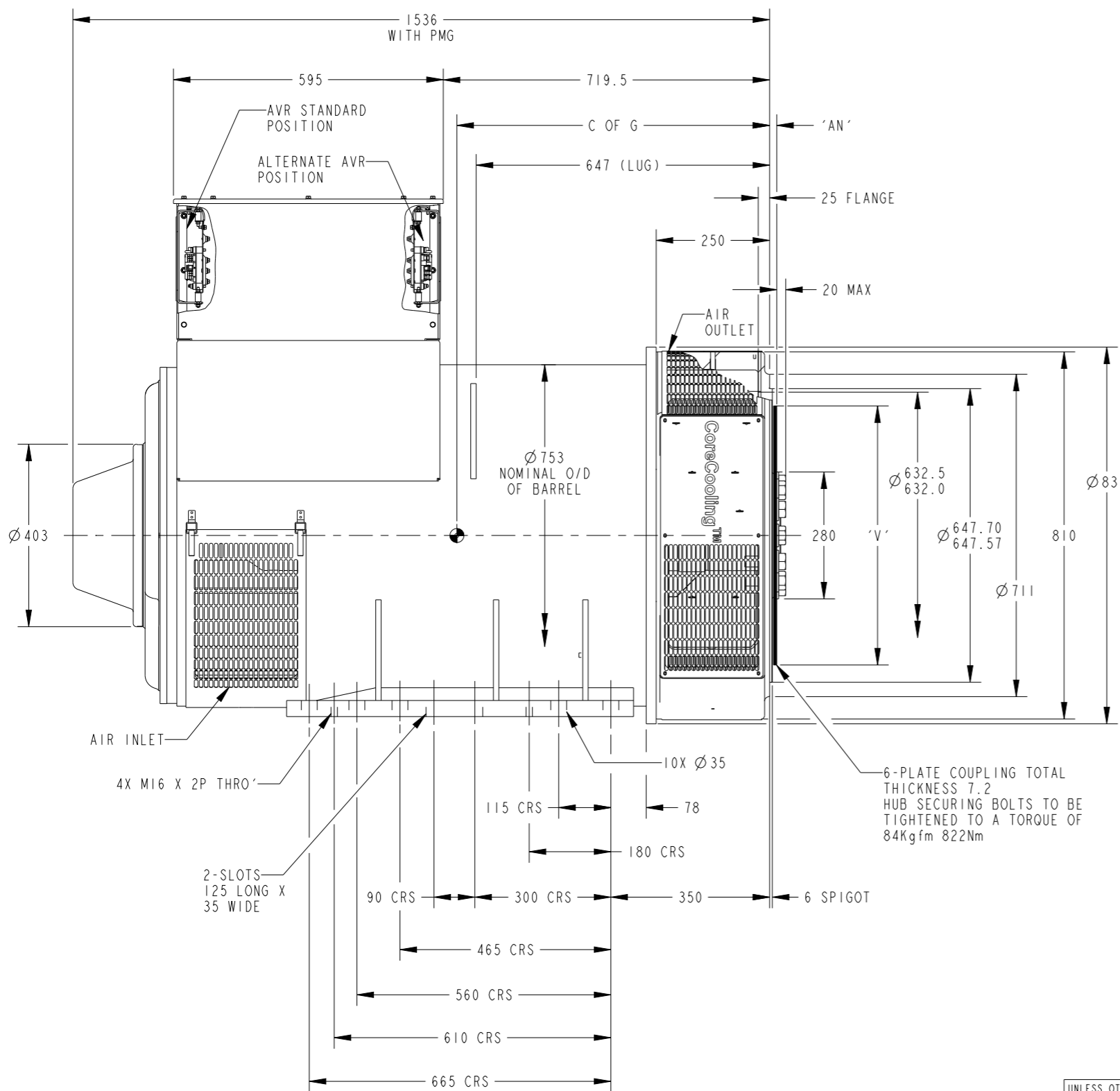
PTC® Creo® Parametric		
CORE	WEIGHT(KG)	C OF G
E	2020	682
F	2326	695

DISC COUPLINGS					
SAE NO.	AN	AR	AS	AT	V
14	25.4	8	∅13.5	438.1	∅466.67
18	15.87	6	∅16.7	543	∅571.45

REL NO	REV	NO	REVISION	DWN	CKD	APVD	DATE
ECO-174329	D	1	SEE ECO FOR CHANGES	KP	RH	I.SAUNDATTI	09JAN18

NOTE:

1. CUSTOMER MUST ENSURE THAT AIR INLET AND OUTLET POSITIONS ARE NOT OBSTRUCTED



UNLESS OTHERWISE SPECIFIED, ALL DIMENSIONS ARE IN MILLIMETERS	SIM TO -	DWN A_LAHEKAR		CUMMINS GENERATOR TECHNOLOGIES	
	DO NOT SCALE PRINT	CKD S_KARMARKAR		DRAWING, GENERAL ASSEMBLY	
SCALE 0.130		APVD I_SAUNDATTI	SITE CODE	S6LID-E/F, 1B SAE0-14/18, STD BOX	
THIS DOCUMENT (AND THE INFORMATION SHOWN THEREON) IS CONFIDENTIAL AND PROPRIETARY AND SHALL NOT BE DISCLOSED TO OTHERS IN HARD COPY OR ELECTRONIC FORM, REPRODUCED BY ANY MEANS, OR USED FOR ANY PURPOSE WITHOUT WRITTEN CONSENT OF CUMMINS INC.	FOR INTERPRETATION OF DIMENSIONING AND TOLERANCING, SEE ASME Y14.5-2009	DATE 27FEB17	STA	DWG SIZE A2	A056V333
		FIRST USED ON S6			CAD SHEET 1 of 1