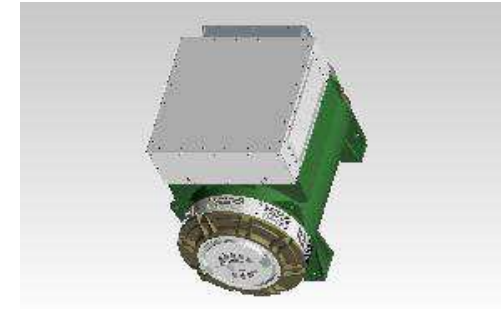




Part Number: A073U761

Change Notice	CN00114997	Alternates	
Manufacturer Part (MEP)	No	Usage	Production Only
Release Phase Code	Production (P)	Drawing Specification	Number: DS47127002
External Regulations	No External Regulation		Revision: B



3D image provided when available for visual reference only.

Drawing Revision Information

Description of Change(s)

Note: Change information is provided for reference only and does not supersede the drawing's primary content.

PRODUCTION RELEASE

Drawing Authorization

Drafter	James Nation	Date	24JAN2024
Checker	Jordan Randall	Date	24JAN2024
Approver	Krzysztof Wejrzanowski	Date	25JAN2024

Document Generated: 25JAN2024 12:36 GMT