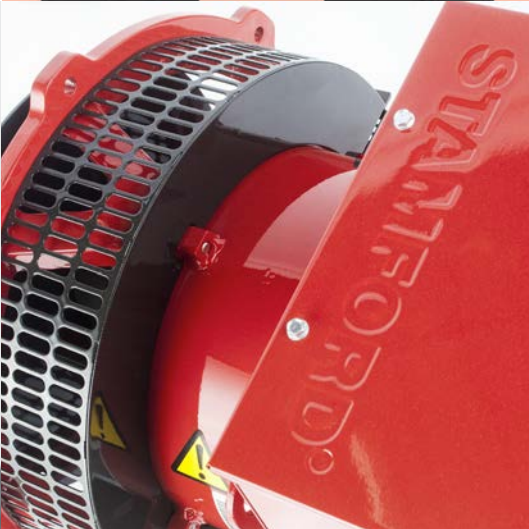





**YOU ASKED.
WE LISTENED.**



**NOW WITH
3 YEARS
WARRANTY**



**The New
STAMFORD®
S0 & S1 Range**



I want
reduced
assembly
times

Our new S0 and S1
is the most user-friendly
product of its kind and
has assembly times
20% quicker than our
previous alternators



I want
to replace
another
brand's
alternator

Our new S0 and S1
has got specially
designed feet, meaning
that replacing another
alternator with a S0 or
S1 couldn't be easier



I want a
compact
alternator
for my
generator
set

Our new S0 and S1
is lighter and more
compact than previous
alternators, without
compromising on genuine
STAMFORD quality

YOU ASKED.
WE LISTENED.



The new
STAMFORD®
S0 & S1

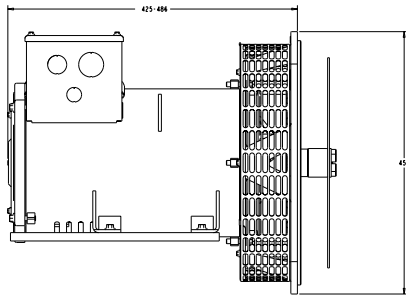
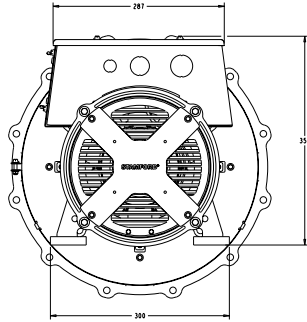


Engineered with you in mind

You told us what you looked for in an alternator and we listened. With the new **STAMFORD S0 & S1** we have gone back to the drawing board and engineered the most user-friendly alternators on the market.

- 20% quicker assembly time
- Adaptable feet for zero re-engineering
- Leading compactness
- Guaranteed STAMFORD quality





| MODEL | S0 | S1 |
|--------------------------------|--------------------------|--------------------------|
| Ratings at 50Hz (kVA) | 7.5 - 30 | 35 - 62.5 |
| Ratings at 60Hz (kVA) | 9 - 36 | 42 - 75 |
| Specifications | | |
| Voltage Range (@50Hz, 3 Phase) | 400/415 | 400/415 |
| Voltage Range (@60Hz, 3 Phase) | 480 | 480 |
| Poles | 4 | 4 |
| Technology | Wire Wound | Wire Wound |
| AVR | Analogue (AS540) | Analogue (AS540) |
| Voltage Sensing | 2 Phase | 2 Phase |
| Bearing Arrangement | Single | Single |
| SAE Adaptors | 3, 4, 5 | 3, 4, GM |
| Terminals | 12 | 12 |
| Insulation Class | H | H |
| Excitation System | Self Exciting | Self Exciting |
| Ingress Protection | IP23 | IP23 |
| Optional Features | | |
| Excitation System | Auxiliary Winding* | Auxiliary Winding |
| Output Configurations | 1 Phase Reconnection | 1 Phase Reconnection |
| Environmental Protection | Anti-Condensation Heater | Anti-Condensation Heater |
| Flexible Foot Mounting | S0L1: 132-160mm | S1L2: 180-225mm |
| | S0L2: 160-180mm | |
| Current Transformers | 3** | 3 |
| Designed For | | |
| Standby Power | ✓ | ✓ |
| Telecommunications | ✓ | ✓ |
| Construction | ✓ | ✓ |
| Combined Heat & Power | ✓ | ✓ |
| Critical Protection & UPS | ✓ | ✓ |
| Continuous Power | ✓ | ✓ |
| Prime Movers | | |
| Diesel Engine | ✓ | ✓ |
| Gas Engine | ✓ | ✓ |

*Auxiliary Winding not available for 7.5 to 15 kVA

** CTs are not offered on S0L1

NOW WITH
3 YEARS
WARRANTY

Benefits to you

QUALITY

- Lighter and more compact than previous alternators
- High quality STAMFORD design and manufacture
- Robust steel and cast iron exterior

ASSEMBLY

- Quick and easy generator set assembly
- Up to 20% reduction in generator set assembly time
- Easily accessible adaptor, feet and terminal box

COMPATABILITY

- Zero re-engineering of generator set base when switching alternator brands
- Variety of SAE options to fit all major engines
- Convertible from 50 Hz to 60 Hz and vice-versa

PERFORMANCE

- Performs in all environments
- Every alternator tested for declared performance before despatch
- Enhanced motor starting capability without increasing length

RELIABILITY

- Designed to perform for a minimum of 20,000 hours
- All componentry subjected to 9,000 hours of highly accelerated life testing
- Strict supplier selection and manufacturing standards

COMPLIANCE

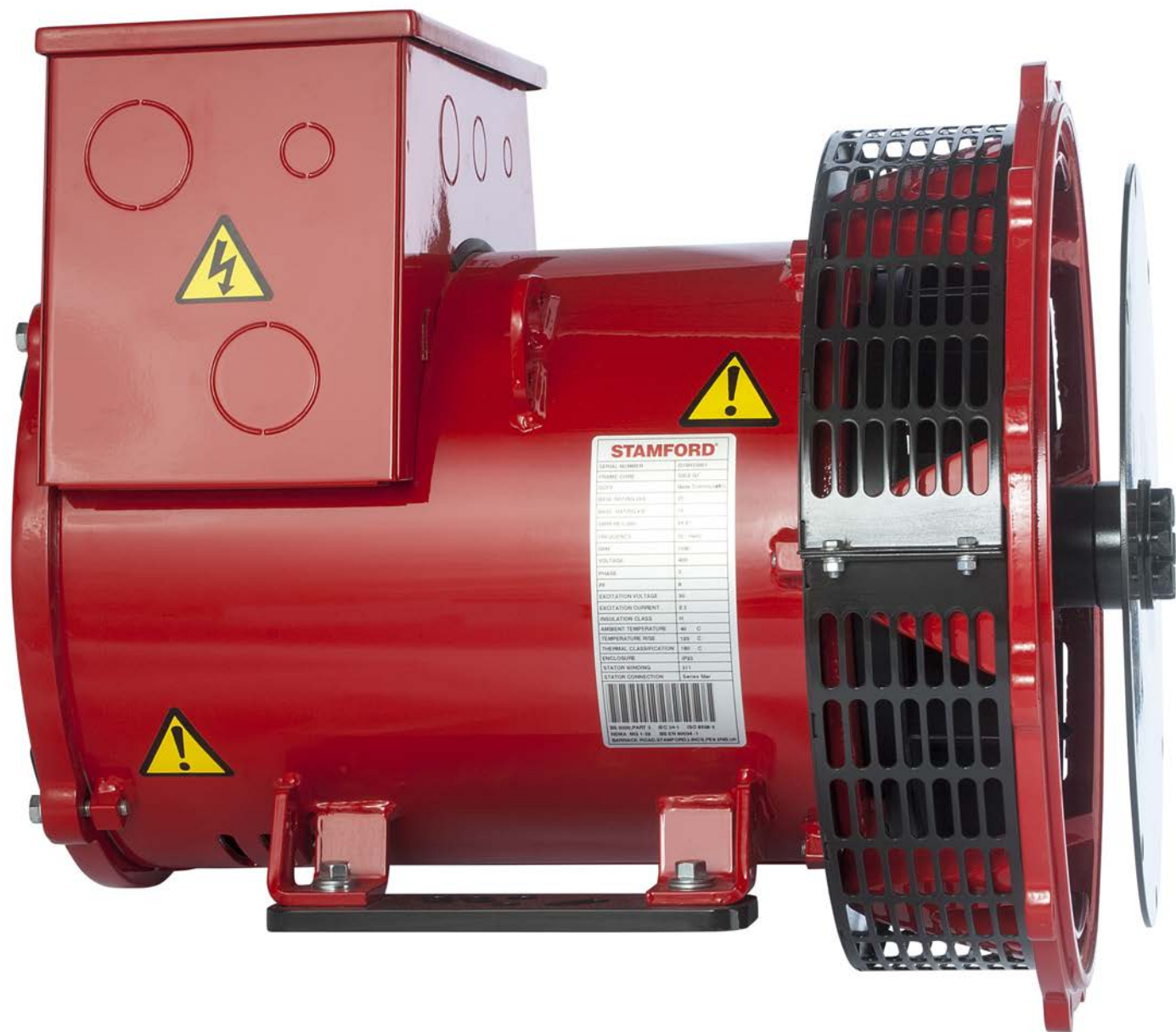
- Compliant with codes and standards globally
- IP23 protection as standard
- UL certified
- IEC and NEMA compliant

OPTIONS

- Auxiliary winding for improved motor starting capability
- Accessories include space heaters, diode failure detector and remote trimmer
- Choice of AVR position and centre height

**YOU ASKED.
WE LISTENED.**

The new
STAMFORD®
S0 & S1



| STAMFORD | |
|------------------------|--------------------|
| SERIAL NUMBER | 02050504 |
| PLANT CODE | 002 2 5V |
| TYPE | Gen 2 |
| GEN. CAPABILITY | Gen. Training Unit |
| BASE CAPABILITY | 15 |
| GEN. CLASS | 44 5V |
| FREQUENCY | 50 Hz |
| AMP | 1500 |
| VOLTAGE | 400V |
| PHASE | 3 |
| PF | 0.8 |
| EXCITATION VOLTAGE | 80 |
| EXCITATION CURRENT | 2.2 |
| INSULATION CLASS | H |
| AMBIENT TEMPERATURE | 40 C |
| TEMPERATURE RISE | 125 C |
| THERMAL CLASSIFICATION | F |
| ENCLOSURE | IP23 |
| STATOR WINDING | 315 |
| STATOR CONNECTION | Star/Star |

SEE BRUSH PARTS 2 SEE 14.1 SEE 15.1
SINCE 1985 1-800-368-2728
STAMFORD POWER SYSTEMS, INC. 10000 100th Ave. N.E. Redmond, WA 98073

Ratings

50Hz Single Phase

| 230V, 0.8PF, 4 pole, 1500rpm, wdg 05 | | | | | | | | |
|--------------------------------------|-------------------|------|-------------------|------|----------------|------|----------------|------|
| Model | Continuous 125/40 | | Continuous 105/40 | | Standby 150/40 | | Standby 163/27 | |
| | kVA | kW | kVA | kW | kVA | kW | kVA | kW |
| S0L1-J1 | 7.5 | 6.0 | 6.8 | 5.5 | 8.0 | 6.4 | 8.3 | 6.6 |
| S0L1-S1 | 10.0 | 8.0 | 9.1 | 7.3 | 10.7 | 8.6 | 11.0 | 8.8 |
| S0L2-K1* | 15.0 | 12.0 | 13.7 | 10.9 | 16.0 | 12.8 | 16.5 | 13.2 |
| S0L2-U1* | 20.0 | 16.0 | 18.2 | 14.6 | 21.3 | 17.0 | 22.0 | 17.6 |
| S1L2-K1* | 25.0 | 20.0 | 22.8 | 18.2 | 26.7 | 21.4 | 27.5 | 22.0 |
| S1L2-R1* | 30.0 | 24.0 | 27.3 | 21.8 | 32.0 | 25.6 | 33.0 | 26.4 |

* Auxiliary winding option available (wdg 705)

50Hz Three Phase

| 400V/415V, 0.8PF, 4 pole, 1500rpm, wdg 311 | | | | | | | | |
|--|-------------------|------|-------------------|------|----------------|------|----------------|------|
| Model | Continuous 125/40 | | Continuous 105/40 | | Standby 150/40 | | Standby 163/27 | |
| | kVA | kW | kVA | kW | kVA | kW | kVA | kW |
| S0L1-D1 | 7.5 | 6.0 | 6.8 | 5.5 | 8.0 | 6.4 | 8.3 | 6.6 |
| S0L1-H1 | 10.0 | 8.0 | 9.1 | 7.3 | 10.7 | 8.6 | 11.0 | 8.8 |
| S0L1-L1 | 12.5 | 10.0 | 11.4 | 9.1 | 13.3 | 10.6 | 13.8 | 11.0 |
| S0L1-P1 | 15.0 | 12.0 | 13.7 | 10.9 | 16.0 | 12.8 | 16.5 | 13.2 |
| S0L2-F1* | 17.5 | 14.0 | 15.9 | 12.7 | 18.7 | 15.0 | 19.3 | 15.4 |
| S0L2-G1* | 20.0 | 16.0 | 18.2 | 14.6 | 21.3 | 17.0 | 22.0 | 17.6 |
| S0L2-M1* | 25.0 | 20.0 | 22.8 | 18.2 | 26.7 | 21.4 | 27.5 | 22.0 |
| S0L2-P1* | 30.0 | 24.0 | 27.3 | 21.8 | 32.0 | 25.6 | 33.0 | 26.4 |
| S1L2-J1* | 35.0 | 28.0 | 31.9 | 25.5 | 37.5 | 30.0 | 38.5 | 30.8 |
| S1L2-K1* | 40.0 | 32.0 | 36.4 | 29.1 | 42.6 | 34.1 | 44.0 | 35.2 |
| S1L2-N1* | 45.0 | 36.0 | 41.0 | 32.8 | 48.0 | 38.4 | 49.5 | 39.6 |
| S1L2-R1* | 50.0 | 40.0 | 45.5 | 36.4 | 53.3 | 42.6 | 55.0 | 44.0 |
| S1L2-Y1* | 62.5 | 50.0 | 56.9 | 45.5 | 66.6 | 53.3 | 68.8 | 55.0 |

* Auxiliary winding option available (wdg 711)

60Hz Single Phase

| 240V, 0.8PF, 4 pole, 1800rpm, wdg 06 | | | | | | | | |
|--------------------------------------|-------------------|------|-------------------|------|----------------|------|----------------|------|
| Model | Continuous 125/40 | | Continuous 105/40 | | Standby 150/40 | | Standby 163/27 | |
| | kVA | kW | kVA | kW | kVA | kW | kVA | kW |
| S0L1-J1 | 9.0 | 7.2 | 8.1 | 6.5 | 9.5 | 7.6 | 9.8 | 7.8 |
| S0L1-S1 | 12.0 | 9.6 | 10.8 | 8.6 | 12.7 | 10.2 | 13.1 | 10.5 |
| S0L2-G1* | 14.5 | 11.6 | 13.1 | 10.5 | 15.4 | 12.3 | 15.8 | 12.6 |
| S0L2-M1* | 19.3 | 15.4 | 17.4 | 13.9 | 20.5 | 16.4 | 21.2 | 16.9 |
| S0L2-U1* | 24.0 | 19.2 | 21.7 | 17.4 | 25.6 | 20.5 | 26.4 | 21.1 |
| S1L2-G1* | 27.0 | 21.6 | 24.4 | 19.5 | 28.6 | 22.9 | 30.0 | 24.0 |
| S1L2-H1* | 29.0 | 23.2 | 26.2 | 21.0 | 30.7 | 24.6 | 31.9 | 25.5 |
| S1L2-K1* | 33.5 | 26.8 | 30.4 | 24.3 | 35.6 | 28.4 | 36.9 | 29.5 |
| S1L2-N1* | 36.5 | 29.2 | 33.0 | 26.4 | 38.6 | 30.9 | 40.6 | 32.4 |

* Auxiliary winding option available (wdg 706)

60Hz Three Phase

| 480V, 0.8PF, 4 pole, 1800rpm, wdg 311 | | | | | | | | |
|---------------------------------------|-------------------|------|-------------------|------|----------------|------|----------------|------|
| Model | Continuous 125/40 | | Continuous 105/40 | | Standby 150/40 | | Standby 163/27 | |
| | kVA | kW | kVA | kW | kVA | kW | kVA | kW |
| S0L1-D1 | 9.0 | 7.2 | 8.2 | 6.6 | 9.6 | 7.7 | 10.0 | 8.0 |
| S0L1-H1 | 12.0 | 9.6 | 10.9 | 8.7 | 12.8 | 10.2 | 13.2 | 10.6 |
| S0L1-L1 | 15.0 | 12.0 | 13.7 | 11.0 | 16.0 | 12.8 | 16.5 | 13.2 |
| S0L1-P1 | 18.0 | 14.4 | 16.4 | 13.1 | 19.2 | 15.4 | 19.8 | 15.8 |
| S0L2-F1* | 21.0 | 16.8 | 19.1 | 15.3 | 22.4 | 17.9 | 23.1 | 18.5 |
| S0L2-G1* | 24.0 | 19.2 | 21.8 | 17.4 | 25.6 | 20.5 | 26.4 | 21.1 |
| S0L2-M1* | 30.0 | 24.0 | 27.3 | 21.8 | 32.0 | 25.6 | 33.0 | 26.4 |
| S0L2-P1* | 36.0 | 28.8 | 32.8 | 26.2 | 38.4 | 30.7 | 39.6 | 26.4 |
| S1L2-J1* | 42.0 | 33.6 | 38.2 | 30.6 | 45.0 | 36.0 | 46.2 | 30.8 |
| S1L2-K1* | 48.0 | 38.4 | 43.7 | 35.0 | 51.2 | 41.0 | 52.8 | 35.2 |
| S1L2-N1* | 54.0 | 43.2 | 49.1 | 39.3 | 57.6 | 46.1 | 59.4 | 39.6 |
| S1L2-R1* | 60.0 | 48.0 | 54.6 | 43.7 | 64.0 | 51.2 | 66.0 | 52.8 |
| S1L2-Y1* | 75.0 | 60.0 | 68.2 | 54.6 | 80.0 | 64.0 | 82.5 | 55.0 |

* Auxiliary winding option available (wdg 711)

NOW WITH
3 YEARS
WARRANTY



The new
STAMFORD®
S0 & S1



STANLEY

For more information visit us at
stamford-avk.com



Follow us @stamfordavk



/company/stamfordavk



STAMFORDAvK



youtube.com/stamfordavk

Copyright 2016, Cummins Generator Technologies Ltd. All rights reserved.
STAMFORD is a registered trademark of Cummins Generator Technologies Ltd.

Part No. PB_S0S1_EN/AF_Rev.1.1



**Generator
Technologies**