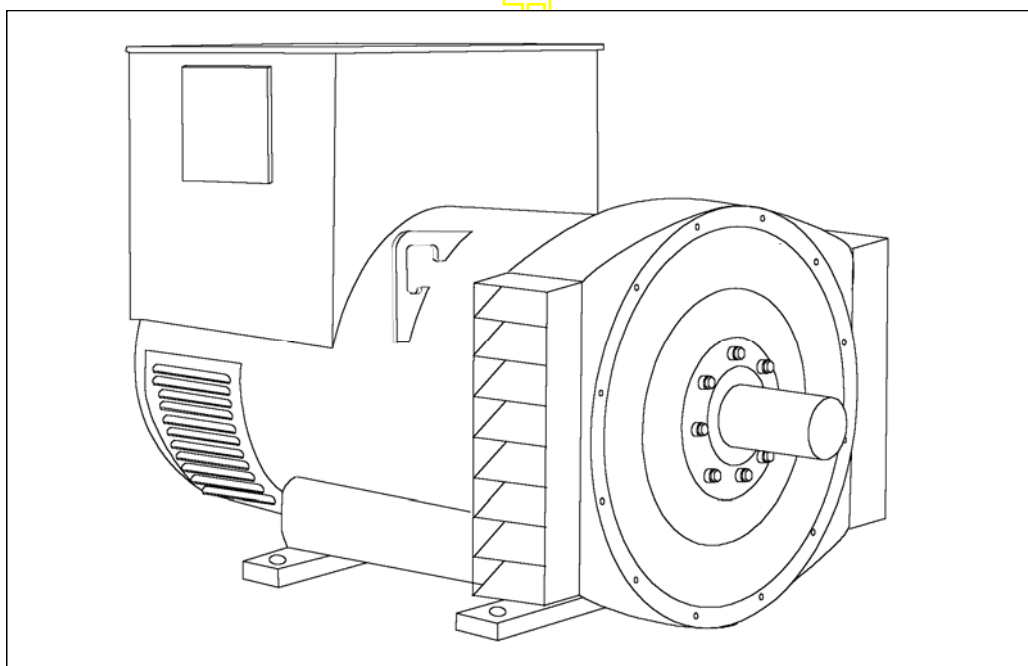


# STAMFORD®

**HCM434F** - Winding 25

Technical Data Sheet



# HCM434F

## SPECIFICATIONS & OPTIONS

**STAMFORD**

### STANDARDS

Marine generators may be certified to Lloyds, DnV, Bureau Veritas, ABS, Germanischer-Lloyd or RINA. Other standards and certifications can be considered on request.

### VOLTAGE REGULATORS

#### MX341 AVR - STANDARD

This sophisticated Automatic Voltage Regulator (AVR) is incorporated into the Stamford Permanent Magnet Generator (PMG) control system, and is standard on marine generators of this type. The PMG provides power via the AVR to the main exciter, giving a source of constant excitation power independent of generator output. The main exciter output is then fed to the main rotor, through a full wave bridge, protected by a surge suppressor. The AVR has in-built protection against sustained over-excitation, caused by internal or external faults. This de-excites the machine after a minimum of 5 seconds.

An engine relief load acceptance feature can enable full load to be applied to the generator in a single step.

If three-phase sensing is required with the PMG system the MX321 AVR must be used.

We recommend three-phase sensing for applications with greatly unbalanced or highly non-linear loads.

#### MX321 AVR

The most sophisticated of all our AVRs combines all the features of the MX341 with, additionally, three-phase rms sensing, for improved regulation and performance.

Over voltage protection is built-in and short circuit current level adjustments is an optional facility.

### WINDINGS & ELECTRICAL PERFORMANCE

All generator stators are wound to 2/3 pitch. This eliminates triplen (3rd, 9th, 15th ...) harmonics on the voltage waveform and is found to be the optimum design for trouble-free supply of non-linear loads. The 2/3 pitch design avoids excessive neutral currents sometimes seen with higher winding pitches, when in parallel with the mains. A fully connected damper winding reduces oscillations during paralleling. This winding, with the 2/3 pitch and carefully selected pole and tooth designs, ensures very low waveform distortion.

### TERMINALS & TERMINAL BOX

Standard generators are 3-phase reconnectable with 12 ends brought out to the terminals, which are mounted on a cover at the non-drive end of the generator. A sheet steel terminal box contains the AVR and provides ample space for the customers' wiring and gland arrangements. It has removable panels for easy access.

### SHAFT & KEYS

All generator rotors are dynamically balanced to better than BS6861:Part 1 Grade 2.5 for minimum vibration in operation. Two bearing generators are balanced with a half key.

### INSULATION/IMPREGNATION

The insulation system is class 'H'.

All wound components are impregnated with materials and processes designed specifically to provide the high build required for static windings and the high mechanical strength required for rotating components.

### QUALITY ASSURANCE

Generators are manufactured using production procedures having a quality assurance level to BS EN ISO 9001.

The stated voltage regulation may not be maintained in the presence of certain radio transmitted signals. Any change in performance will fall within the limits of Criteria 'B' of EN 61000-6-2:2001. At no time will the steady-state voltage regulation exceed 2%.

### DE RATES

All values tabulated on page 6 are subject to the following reductions

5% when air inlet filters are fitted.

3% for every 500 metres by which the operating altitude exceeds 1000 metres above mean sea level.

3% for every 5 C by which the operational ambient temperature exceeds 50 C.

Note: Requirement for operating in an ambient exceeding 60 C must be referred to the factory.

*NB Continuous development of our products entitles us to change specification details without notice, therefore they must not be regarded as binding.*

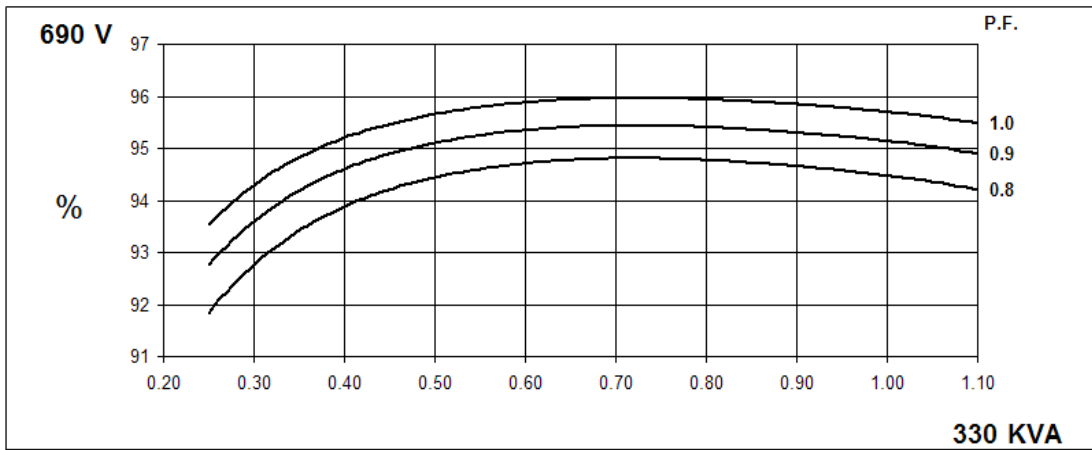
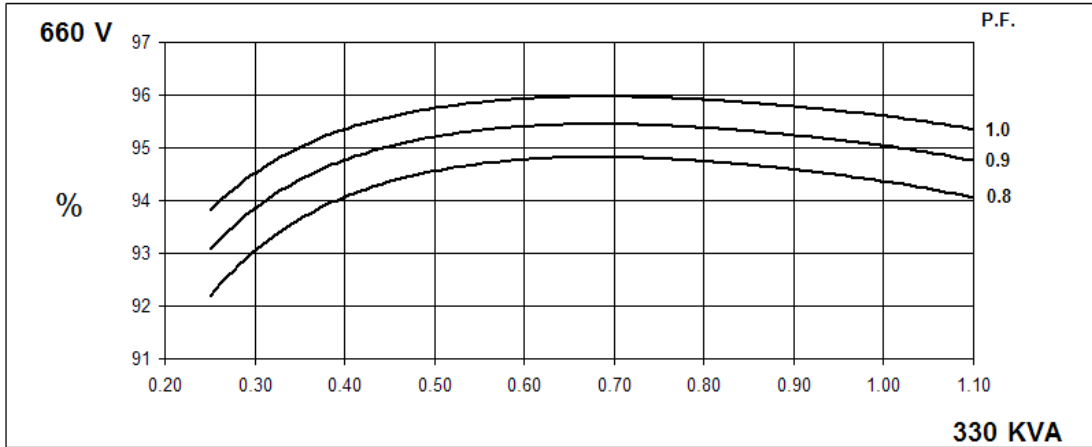
*Front cover drawing typical of product range.*

# HCM434F WINDING 25

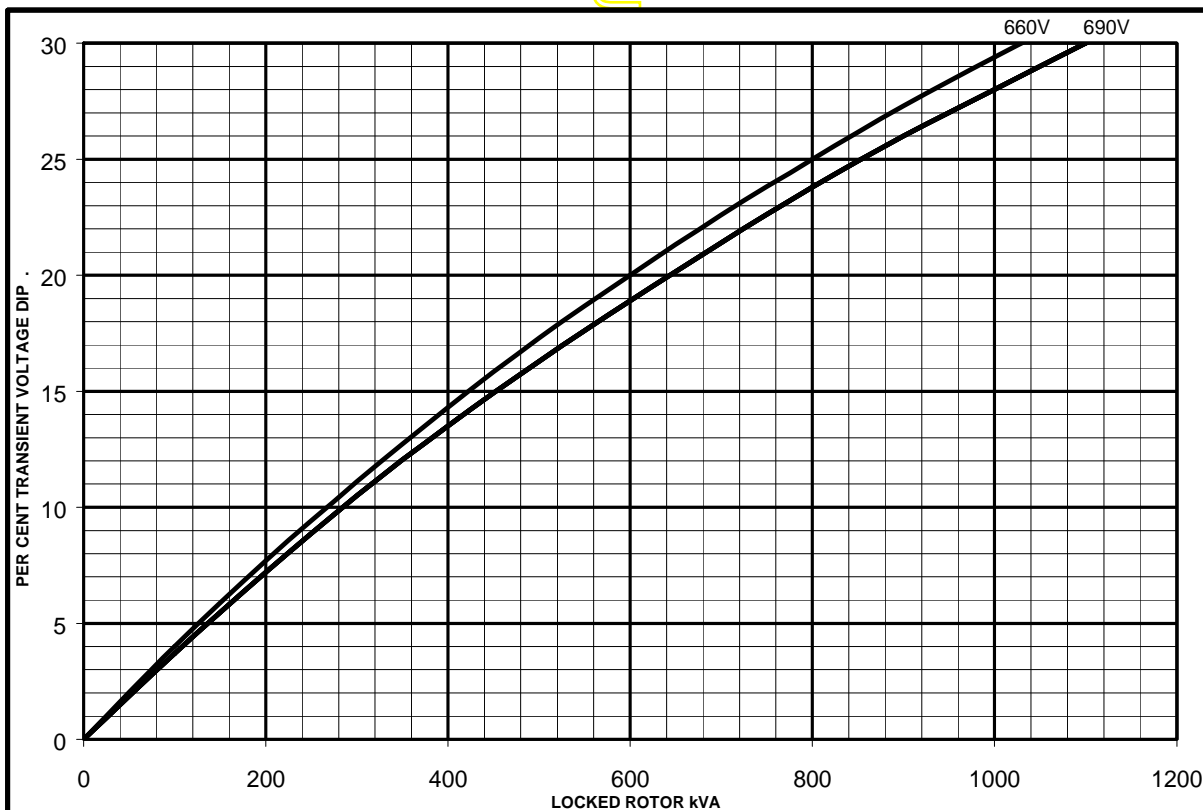
**STAMFORD**

CONTROL SYSTEM		SEPARATELY EXCITED BY P.M.G.	
A.V.R.	MX321	MX341	
VOLTAGE REGULATION	± 0.5 %	± 1.0 %	With 4% ENGINE GOVERNING
SUSTAINED SHORT CIRCUIT	REFER TO SHORT CIRCUIT DECREMENT CURVES (page 5)		
INSULATION SYSTEM		CLASS H	
PROTECTION		IP23	
RATED POWER FACTOR		0.8	
STATOR WINDING		DOUBLE LAYER LAP	
WINDING PITCH		TWO THIRDS	
WINDING LEADS		12	
STATOR WDG. RESISTANCE		0.021 Ohms PER PHASE AT 22°C SERIES STAR CONNECTED	
ROTOR WDG. RESISTANCE		1.37 Ohms at 22°C	
EXCITER STATOR RESISTANCE		18 Ohms at 22°C	
EXCITER ROTOR RESISTANCE		0.068 Ohms PER PHASE AT 22°C	
R.F.I. SUPPRESSION		BS EN 61000-6-2 & BS EN 61000-6-4, VDE 0875G, VDE 0875N. refer to factory for others	
WAVEFORM DISTORTION		NO LOAD < 1.5% NON-DISTORTING BALANCED LINEAR LOAD < 5.0%	
MAXIMUM OVERSPEED		2250 Rev/Min	
BEARING DRIVE END		BALL. 6317 (ISO)	
BEARING NON-DRIVE END		BALL. 6314 (ISO)	
		1 BEARING	2 BEARING
WEIGHT COMP. GENERATOR	1160 kg		1160 kg
WEIGHT WOUND STATOR	535 kg		535 kg
WEIGHT WOUND ROTOR	463 kg		440 kg
WR <sup>2</sup> INERTIA	5.4292 kgm <sup>2</sup>		5.2304 kgm <sup>2</sup>
SHIPPING WEIGHTS in a crate	1230 kg		1230 kg
PACKING CRATE SIZE	155 x 87 x 107 (cm)		155 x 87 x 107 (cm)
TELEPHONE INTERFERENCE	THF < 2%		TIF < 50
COOLING AIR	0.8 m <sup>3</sup> /sec 1700 cfm		
VOLTAGE SERIES STAR	660		690
VOLTAGE PARALLEL STAR	330		345
VOLTAGE SERIES DELTA	380		400
kVA BASE RATING FOR REACTANCE VALUES	330		330
X <sub>d</sub> DIR. AXIS SYNCHRONOUS	2.26		2.10
X' <sub>d</sub> DIR. AXIS TRANSIENT	0.15		0.14
X'' <sub>d</sub> DIR. AXIS SUBTRANSIENT	0.11		0.10
X <sub>q</sub> QUAD. AXIS REACTANCE	1.95		1.80
X'' <sub>q</sub> QUAD. AXIS SUBTRANSIENT	0.26		0.24
X <sub>L</sub> LEAKAGE REACTANCE	0.05		0.05
X <sub>2</sub> NEGATIVE SEQUENCE	0.19		0.17
X <sub>0</sub> ZERO SEQUENCE	0.07		0.07
REACTANCES ARE SATURATED		VALUES ARE PER UNIT AT RATING AND VOLTAGE INDICATED	
T' <sub>d</sub> TRANSIENT TIME CONST.	0.08 s		
T'' <sub>d</sub> SUB-TRANSTIME CONST.	0.019 s		
T' <sub>do</sub> O.C. FIELD TIME CONST.	1.7 s		
T <sub>a</sub> ARMATURE TIME CONST.	0.018 s		
SHORT CIRCUIT RATIO	1/X <sub>d</sub>		

**THREE PHASE EFFICIENCY CURVES**

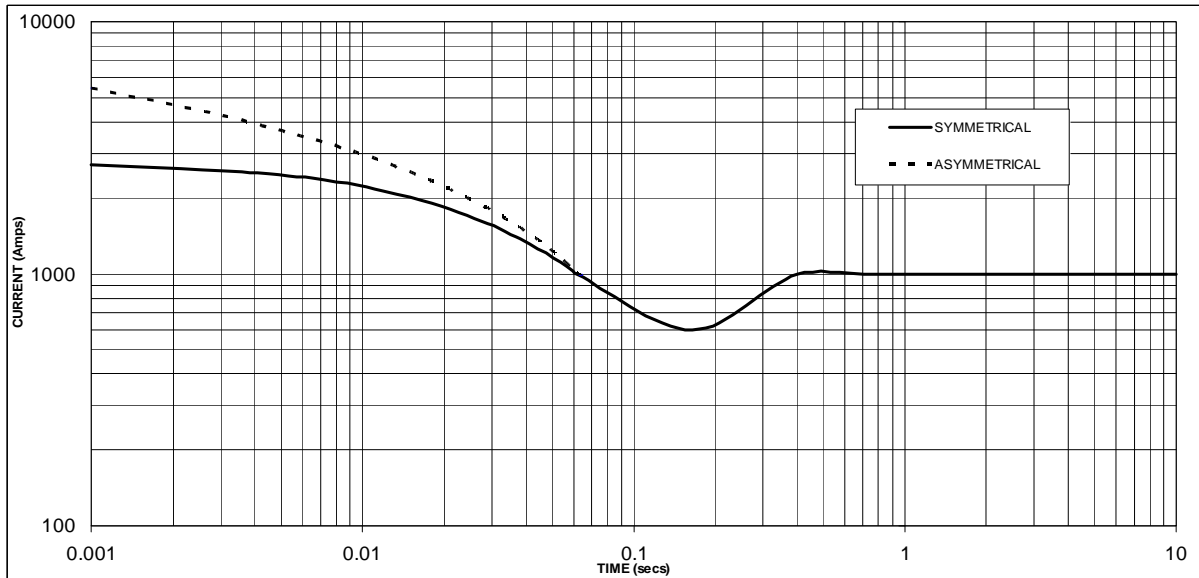


**Locked Rotor Motor Starting Curve**



HCM434F  
Winding 25

Three-phase Short Circuit Decrement Curve. No-load Excitation at Rated Speed  
Based on star (wye) connection.



Sustained Short Circuit = 1000 Amps

**Note 1**

The following multiplication factors should be used to adjust the values from curve between time 0.001 seconds and the minimum current point in respect of nominal operating voltage :

Voltage	Factor
660V	X 1.00
690V	X 1.05

The sustained current value is constant irrespective of voltage level

**Note 2**

The following multiplication factor should be used to convert the values calculated in accordance with NOTE 1 to those applicable to the various types of short circuit :

	3-phase	2-phase L-L	1-phase L-N
Instantaneous	x 1.00	x 0.87	x 1.30
Minimum	x 1.00	x 1.80	x 3.20
Sustained	x 1.00	x 1.50	x 2.50
Max. sustained duration	10 sec.	5 sec.	2 sec.

All other times are unchanged

# HCM434F

**STAMFORD**

## Winding 25 / 0.8 Power Factor

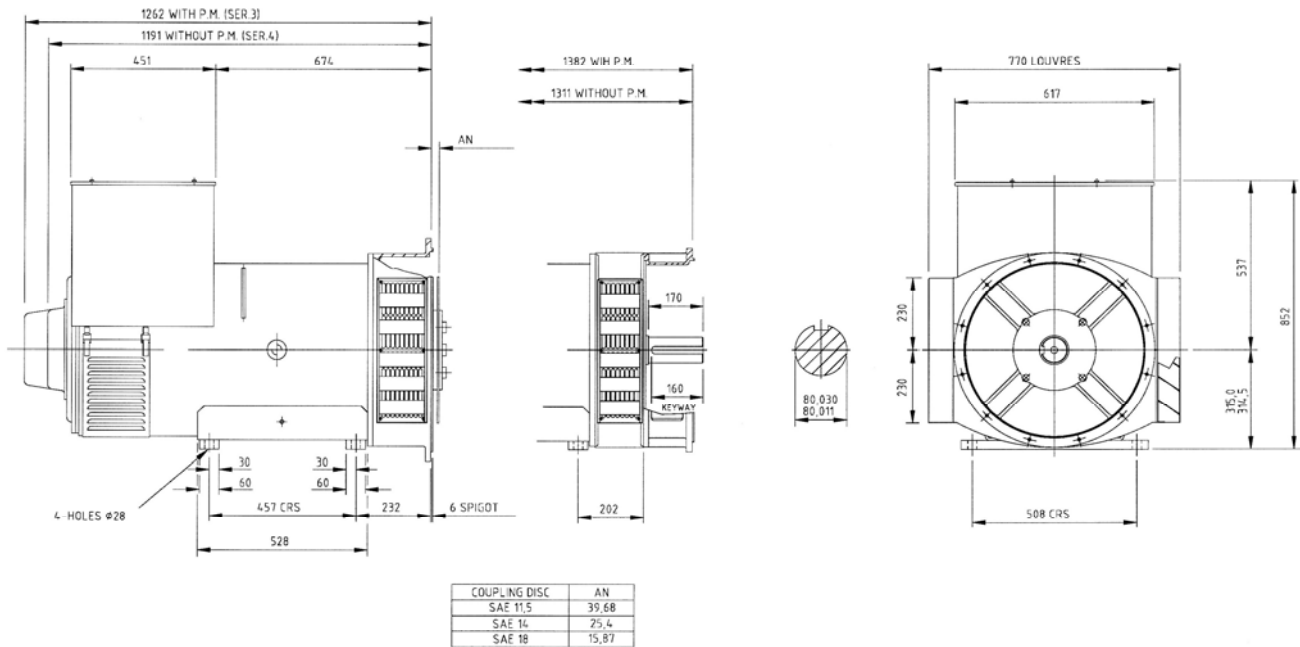
**50Hz**

### RATINGS

Class - Temp Rise	Cont. B - 70/50°C		Cont. F - 90/50°C		Cont. H - 110/50°C	
Series Star (V)	660	690	660	690	660	690
Parallel Star (V)	330	345	330	345	330	345
Series Delta (V)	380	400	380	400	380	400
kVA	265	265	300	300	330	330
kW	212	212	240	240	264	264
Efficiency (%)	94.8	94.8	94.6	94.7	94.4	94.5
kW Input	224	224	254	254	280	279

APPROXIMATE

### DIMENSIONS



APPROVED DOCUMENT

**STAMFORD**

Head Office Address:  
Barnack Road, Stamford  
Lincolnshire, PE9 2NB  
United Kingdom  
Tel: +44 (0) 1780 484000  
Fax: +44 (0) 1780 484100

[www.cumminsgeneratortechnologies.com](http://www.cumminsgeneratortechnologies.com)

Copyright 2010, Cummins Generator Technologies Ltd, All Rights Reserved  
Stamford and AvK are registered trade marks of Cummins Generator Technologies Ltd  
Cummins and the Cummins logo are registered trade marks of Cummins Inc.