



NEWAGE[®]

**A LEGACY OF
CERTAINTY,
REGENERATED
FOR TODAY**

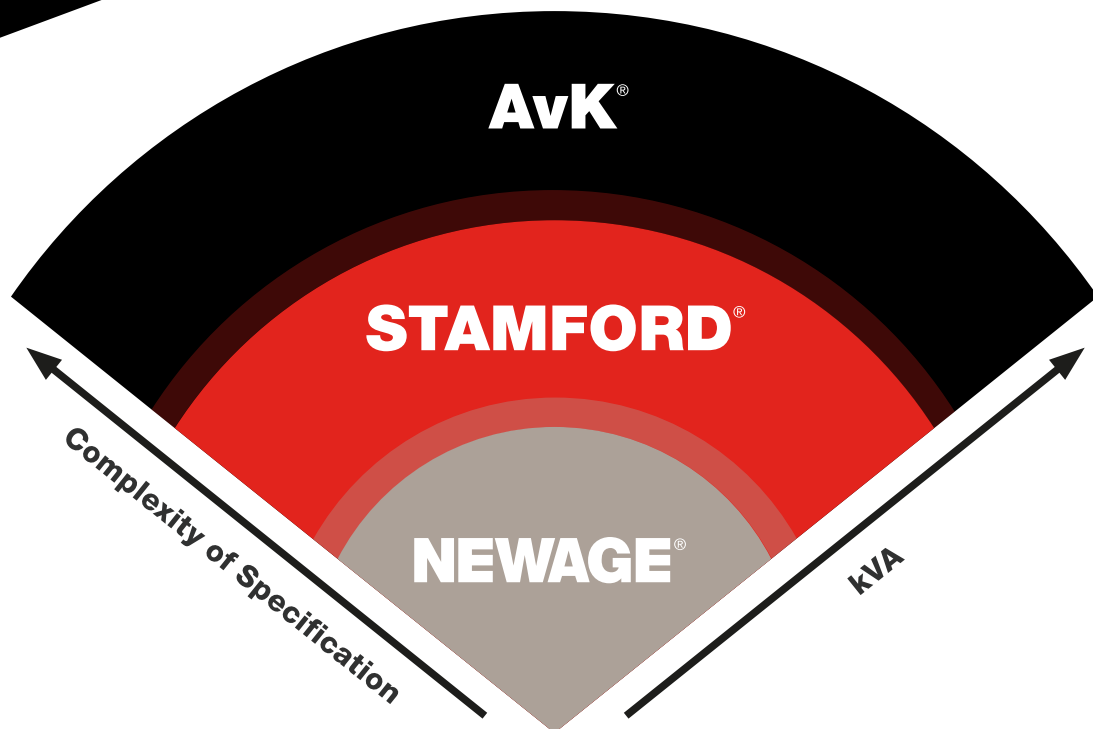
N100, N200, N300
10-300kVA (50HZ) / 10-362kVA (60HZ)
LOW VOLTAGE ALTERNATORS

NEWAGE[®] | STAMFORD[®] | AvK[®]

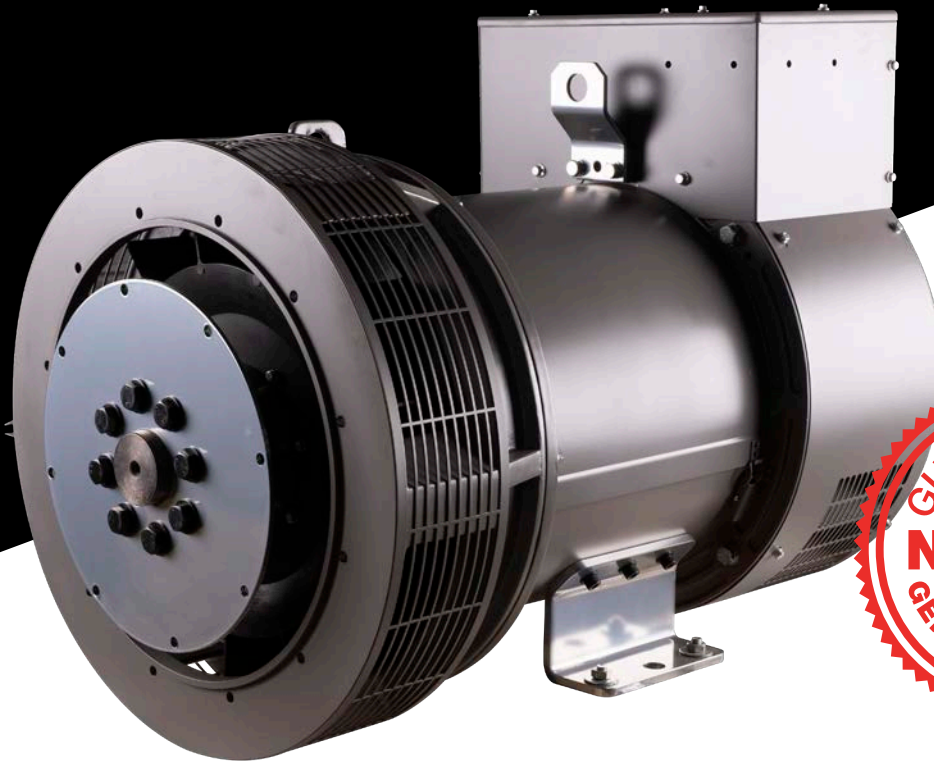
Powering the world with confidence since 1904

80 years on and NEWAGE® is regenerated to serve today's market needs.

Compact yet powerful, the NEWAGE® range of three-phase, 4-pole synchronous AC alternators of brushless design are the latest addition to the STAMFORD® and AvK® brand portfolio.



NEWAGE® | STAMFORD® | AvK®



Fit for market solution

NEWAGE® includes fit for market alternators, up to 300kVA Low Voltage, whilst applying the same STAMFORD® and AvK® brand quality standards, global support team and established service network.

Quality assurance

NEWAGE® alternators are designed, built, and tested to the quality assurance level of ISO9001 and meet the requirements of IEC 60034-1 and ISO8528-3.

Digital AVR as standard

The excitation system is self-excited as standard with power being provided by the main stator via the digital automatic voltage regulator (AVR) to the exciter stator, a three-phase voltage sensed to control the alternator output voltage to within $\pm 1\%$.

Power density

Compact design to maximise power density and space saving. Improved efficiencies and up to 24% length, 21% height and weight reduction versus legacy product.

50 Hz

Class H 125/40						
Winding Number 212/312						
Volts	380		400		415	
Model	kW	kVA	kW	kVA	kW	kVA
N100						
N10G4	8.0	10.0	8.0	10.0	8.0	10.0
N15G4	12.0	15.0	12.0	15.0	12.0	15.0
N20G4	16.0	20.0	16.0	20.0	16.0	20.0
N200						
N125G4	96	120	100	125	100	125
N150G4	116	145	120	150	120	150
N180G4	144	180	144	180	144	180
N200G4	152	190	160	200	160	200
N300						
N300G4	240	300	240	300	236	295

Standby 150/40						
Winding Number 212/312						
Volts	380		400		415	
Model	kW	kVA	kW	kVA	kW	kVA
N100						
N10G4	8.4	10.5	8.4	10.5	8.4	10.5
N15G4	12.6	15.8	12.6	15.8	12.6	15.8
N20G4	16.8	21.0	16.8	21.0	16.8	21.0
N200						
N125G4	102	127	106	133	106	133
N150G4	122	153	127	159	127	159
N180G4	153	191	153	191	153	191
N200G4	161	201	170	212	170	212
N300						
N300G4	254.4	318	254.4	318	249.6	312

Standby 163/27						
Winding Number 212/312						
Volts	380		400		415	
Model	kW	kVA	kW	kVA	kW	kVA
N100						
N10G4	8.8	11.0	8.8	11.0	8.8	11.0
N15G4	13.2	16.5	13.2	16.5	13.2	16.5
N20G4	17.6	22	17.6	22	17.6	22
N200						
N125G4	106	132	110	137.5	110	137.5
N150G4	128	160	132	165	132	165
N180G4	160	200	160	200	160	200
N200G4	167.2	209	176	220	176	220
N300						
N300G4	264	330	264	330	260	325

60 Hz

Class H 125/40								
Winding Number 212/312								
Volts	380		416		440		480	
Model	kW	kVA	kW	kVA	kW	kVA	kW	kVA
N100								
N10G4	8.8	11.0	9.2	11.5	9.6	12.0	10.0	12.5
N15G4	13.6	17.0	14.8	18.5	15.2	19.0	15.2	19.0
N20G4	17.6	22.0	18.8	23.5	19.6	24.5	20.8	26.0
N200								
N125G4	100	125	108	135	115	144	125	156
N150G4	120	150	130	163	138	172	150	188
N180G4	144	180	156	195	168	210	180	225
N200G4	160	200	174	217	184	230	200	250
N300								
N300G4	N/A	N/A	249.6	312	264.8	331	289.6	362

Standby 150/40								
Winding Number 212/312								
Volts	380		416		440		480	
Model	kW	kVA	kW	kVA	kW	kVA	kW	kVA
N100								
N10G4	9.2	11.6	9.7	12.1	10.1	12.6	10.5	13.1
N15G4	14.3	17.9	15.5	19.4	16.0	20.0	16.0	20.0
N20G4	18.5	23.1	19.7	24.7	20.6	25.7	21.8	27.3
N200								
N125G4	106	132	114	143	122	152	132	165
N150G4	127	159	138	173	146	183	160	200
N180G4	152	190	166	207	178	223	191	239
N200G4	169	211	184	230	195	244	212	265
N300								
N300G4	N/A	N/A	264	330	280	350	308	385

Standby 163/27								
Winding Number 212/312								
Volts	380		416		440		480	
Model	kW	kVA	kW	kVA	kW	kVA	kW	kVA
N100								
N10G4	9.7	12.1	10.1	12.7	10.6	13.2	11.0	13.8
N15G4	15.0	18.7	16.3	20.4	16.7	20.9	16.7	20.9
N20G4	19.4	24.2	20.7	25.9	21.6	27.0	22.9	28.6
N200								
N125G4	110	138	119	149	126	158	138	172
N150G4	132	165	143	179	151	189	166	207
N180G4	160	200	172	215	185	231	200	250
N200G4	176	220	190	238	202	253	220	275
N300								
N300G4	N/A	N/A	274	343	292	365	320	400

Model	N100	N200	N300
Maximum Continuous Ratings at 50Hz (kVA)	20	200	300
Maximum Continuous Ratings at 60Hz (kVA)	26	250	362

Specifications

Voltage Range	380-480	380-480	380-480
Poles	4	4	4
Technology	Wire Wound	Wire Wound	Wire Wound
AVR	Digital	Digital	Digital
Voltage Sensing	3 Phase	3 Phase	3 Phase
Bearing Arrangement	Single	Single	Single
SAE Adaptors	SAE 4, 5	SAE 2, 3	SAE 1, 2
Terminals	6	6	6
Material Insulation Class	H	H	H
Excitation System	Self Exciting	Self Exciting	Self Exciting
Ingress Protection	IP23	IP23	IP23

Optional Features

Environmental Protection	x	✓	✓
--------------------------	---	---	---

Designed for

Continuous Power & Standby	✓	✓	✓
----------------------------	---	---	---

Prime Movers

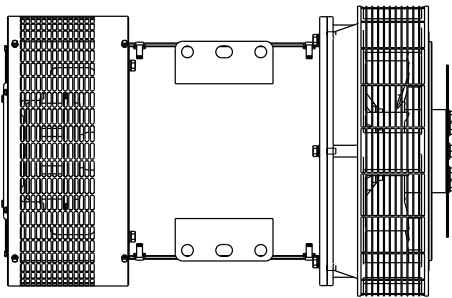
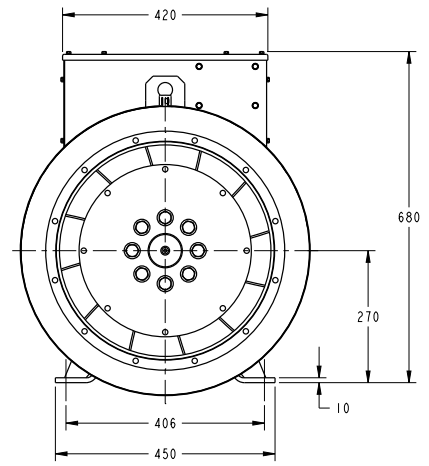
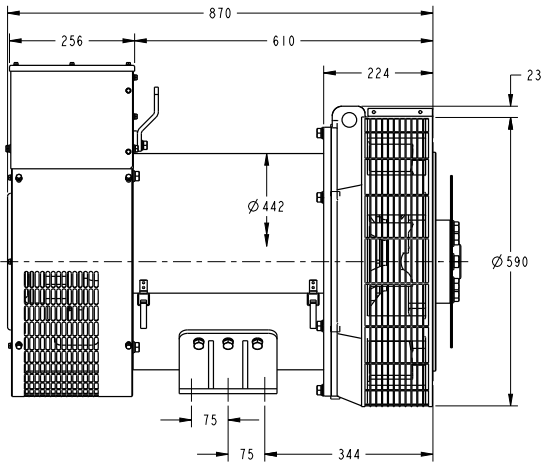
Diesel Engine	✓	✓	✓
Gas Engine	✓	✓	✓

NEWAGE® Nomenclature

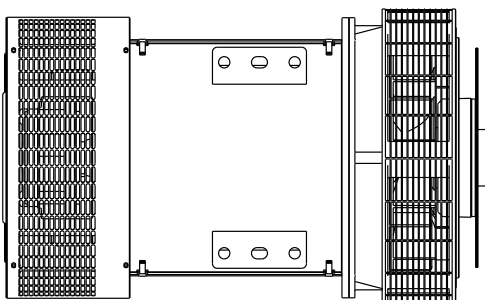
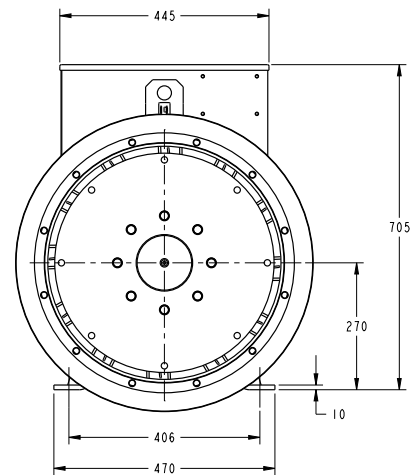
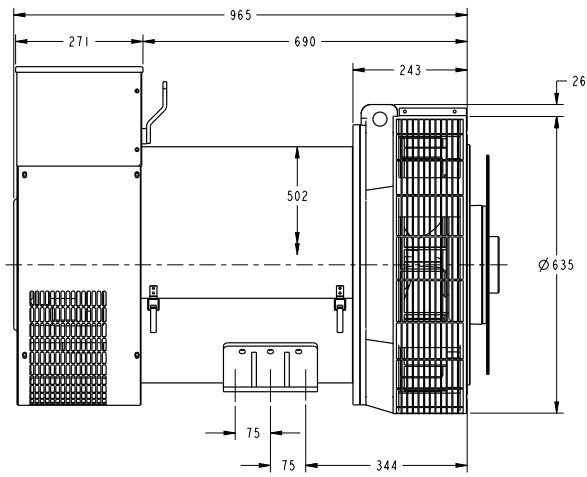
Family series:

N100	(up to 100kVA)
N200	(101-200kVA)
N300	(201-300kVA)

Brand Reference	Power Rating	Product	Pole
NEWAGE®	kVA	G = Generator	
N	15	G	4
	kW ratings reference on supporting documents and nameplate		



N200 Model



N300 Model



NEWAGE® - A LEGACY OF CERTAINTY, REGENERATED FOR TODAY

NEWAGE® | STAMFORD® | AvK®

Powering the world with confidence since 1904



www.stamford-avk.com

For further information contact
newagestamfordavk@cummins.com

Copyright 2020, Cummins Generator Technologies Ltd. All rights reserved.
Cummins and the Cummins logo are registered trade marks of Cummins Inc. NEWAGE,
STAMFORD and AvK are registered trade marks of Cummins Generator Technologies Ltd.

Cummins Generator Technologies, Fountain Court, Lynch Wood, Peterborough, PE2 6FZ

PB_NEWAGE_EN/AF_ Rev 2



**Generator
Technologies**

There for you™