

STAMFORD[®]
AvK[®]

Marine Pocket Guide



Contents

- 03** **Our Heritage**

- 07** **Marine Alternators**

- 43** **Offshore Vessels**

- 55** **Tankers**

- 63** **Passenger Vessels**

- 67** **Fishing Vessels**

- 71** **Cargo Vessels**

- 77** **Other Vessels Classes**

- 81** **Marine Classifications**

- 82** **Technical Support**

Built for Marine

STAMFORD | **AvK** Marine Alternators

Technology leaders in alternator design and manufacture, Cummins Generator Technologies has a proven track record of delivering dependable power to the marine market. With over 50 years of experience serving the marine industry, customers benefit from a comprehensive range of premium alternators under the globally recognised **STAMFORD** and **AvK** brands.

In this Marine Pocket Guide you'll find technical information on all of our marine alternators, as well as highlights from an assortment of **AvK** references from over the years, spanning complex power requirements across many interesting vessel types. We believe this collection represents our capability to best serve the toughest and most critical electric power applications of them all – marine.

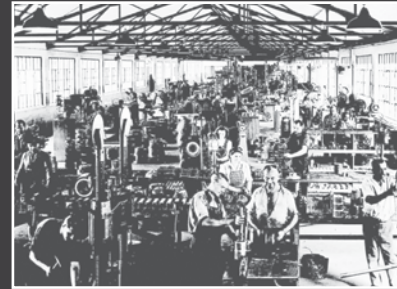
Whether a newbuild or repower, **STAMFORD** and **AvK** marine alternators are designed to offer efficient power with class leading quality, technology and reliability.



Our Heritage

Delivering the Right Technology to our marine customers globally for over 50 years

Now globally recognised for their quality, technology and reliability – STAMFORD and AvK alternators have been serving the marine industry since 1960. Since then we've continuously innovated to remain at the forefront of marine power technology.



EST.
1904

1904

The Cutting Brothers establish an electrical engineering business in Stamford, UK.

1938



AvK announces world's first self-regulated alternator.

1968

Tempest Diesels set-up at Foundry Road, later named 'Newage Marine'.

STAMFORD
AvK

1919

Foundation of AvK as trading enterprise for electrical machines in Frankfurt.

1960



STAMFORD and AvK alternators first enter the marine market

Our Heritage

STAMFORD® | AvK®



1969

Acquisition of Propulsion Ltd. Marine Power.

1992

Development of AvK DSG range.

2011

Manufactured and sold 2 millionth STAMFORD alternator.

1980



Lord Lieutenant of the county of Lincolnshire and the Mayor of Stamford presenting 'The Queen's Award for Export Achievement'.

2006



Generator Technologies

Company renamed Cummins Generator Technologies Ltd.

2015



Completion of €12 million investment in capacity expansion at Craiova, Romania.

STAMFORD®**PM0**

Model	PM0
Maximum continuous rating at 50Hz (kVA)	20
Maximum continuous rating at 60Hz (kVA)	22

Specifications

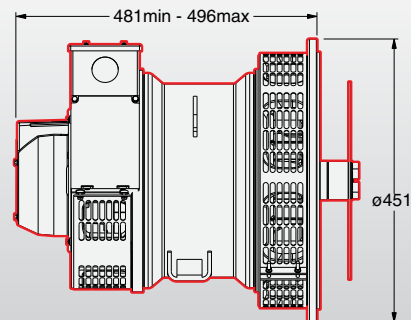
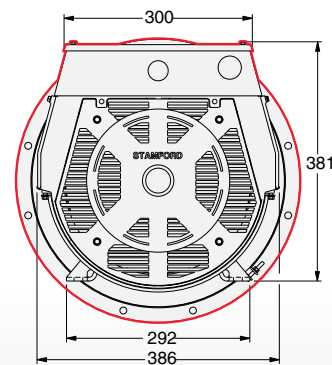
Voltage Range	380-600
Poles	2, 4
Technology	Wire wound
AVR	Analogue
Voltage sensing	2-Phase
Bearing Arrangement	Single
SAE Adaptors	2, 3, 4, 5
Terminals	12
Material Insulation Class	H
Excitation System	Self exciting
Ingress Protection	IP23
Connection with other machines	Paralleling capability

Optional Features

Excitation System	EBS
Bearing Arrangement	Double
Output configurations	1 phase re-connectable
Temperature monitoring	Thermistors
Environmental protection	Anti-condensation heaters

Designed For

Marine Propulsion	
Marine Auxiliary	●



0 - 50 kVA

Low Voltage

STAMFORD®**PM1**

Model	PM1
Maximum continuous rating at 50Hz (kVA)	45
Maximum continuous rating at 60Hz (kVA)	55

Specifications

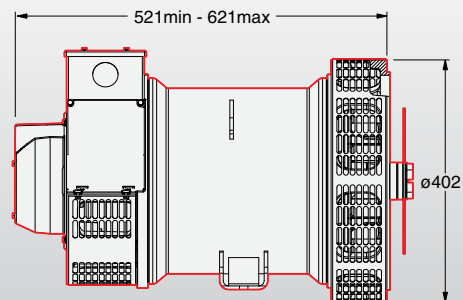
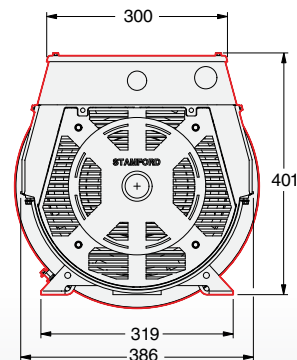
Voltage Range	380-600
Poles	2, 4
Technology	Wire wound
AVR	Analogue
Voltage sensing	2-Phase
Bearing Arrangement	Single
SAE Adaptors	2, 3, 4
Terminals	12
Material Insulation Class	H
Excitation System	Self exciting
Ingress Protection	IP23
Connection with other machines	Paralleling capability

Optional Features

Excitation System	EBS
Bearing Arrangement	Double
Output configurations	1 phase re-connectable
Temperature monitoring	Thermistors
Environmental protection	Anti-condensation heaters

Designed For

Marine Propulsion	
Marine Auxiliary	●



0 - 50 kVA

Low Voltage

DIMENSIONS

Drawings represent standard design. All dimensions in millimetres (mm)

STAMFORD®**UCM22**

Model	UCM22
Maximum continuous rating at 50Hz (kVA)	85
Maximum continuous rating at 60Hz (kVA)	103.8

Specifications

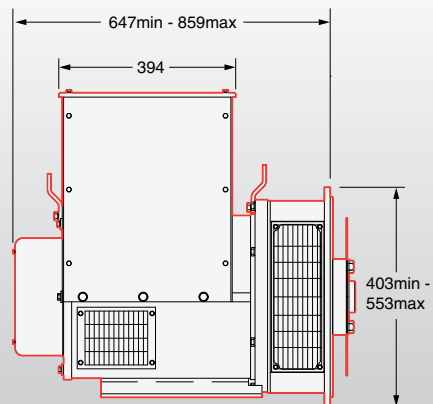
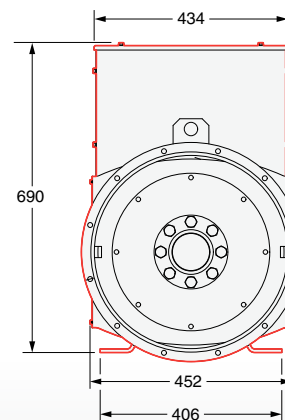
Voltage Range	380-690
Poles	4
Technology	Wire wound
AVR	Analogue
Voltage sensing	2-Phase
Bearing Arrangement	Single
SAE Adaptors	1, 2, 3, 4
Terminals	12
Material Insulation Class	H
Excitation System	Self exciting
Ingress Protection	IP23
Connection with other machines	Paralleling capability

Optional Features

Excitation System	PMG
Bearing Arrangement	Double
Ingress Protection	IP23 air filters
Output configurations	1 phase re-connectable
Voltage sensing	3-Phase sensing
Temperature monitoring	Thermistors
Environmental protection	Anti-condensation heaters

Designed For

Marine Propulsion	
Marine Auxiliary	●



50 - 250 kVA

Low Voltage

DIMENSIONS

Drawings represent standard design. All dimensions in millimetres (mm)

STAMFORD®**UCM27**

Model	UCM27
Maximum continuous rating at 50Hz (kVA)	250
Maximum continuous rating at 60Hz (kVA)	312.5

Specifications

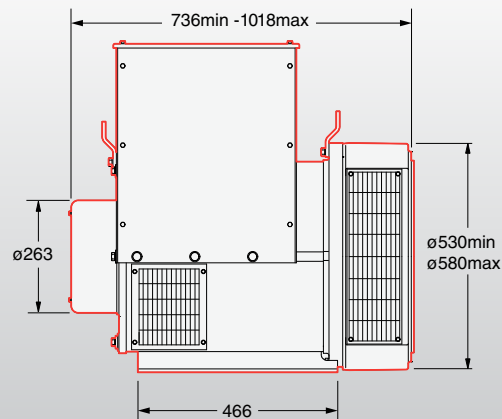
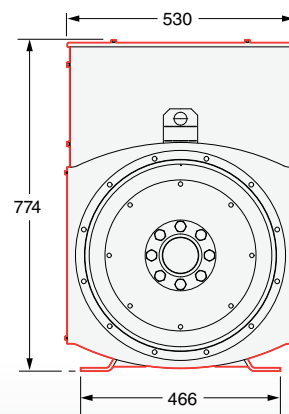
Voltage Range	380-690
Poles	4
Technology	Wire wound
AVR	Analogue
Voltage sensing	2-Phase
Bearing Arrangement	Single
SAE Adaptors	1, 2, 3
Terminals	12
Material Insulation Class	H
Excitation System	Self exciting
Ingress Protection	IP23
Connection with other machines	Paralleling capability

Optional Features

Excitation System	PMG
Bearing Arrangement	Double
Ingress Protection	IP23 air filters
Output configurations	1 phase re-connectable
Voltage sensing	3-Phase sensing
Temperature monitoring	Thermistors
Environmental protection	Anti-condensation heaters

Designed For

Marine Propulsion	
Marine Auxiliary	●



Low Voltage

50 - 250 kVA

DIMENSIONS

Drawings represent standard design. All dimensions in millimetres (mm)

STAMFORD®**HCM4**

Model	HCM4
Maximum continuous rating at 50Hz (kVA)	400
Maximum continuous rating at 60Hz (kVA)	500

Specifications

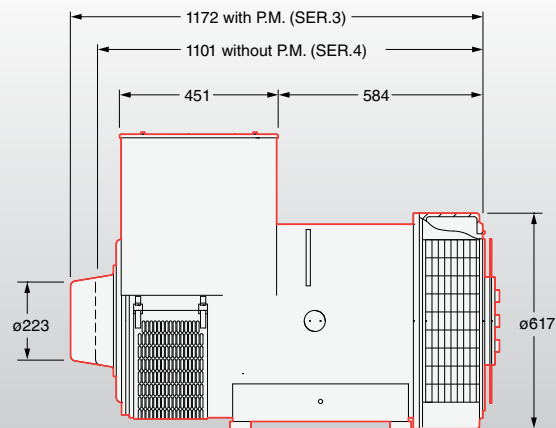
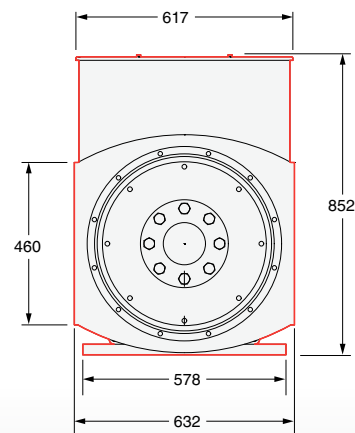
Voltage Range	380-690
Poles	4
Technology	Wire wound
AVR	Analogue
Voltage sensing	2-Phase
Bearing Arrangement	Single
SAE Adaptors	0, 1, 2
Terminals	12
Material Insulation Class	H
Excitation System	Self exciting
Ingress Protection	IP23
Connection with other machines	Paralleling capability

Optional Features

Excitation System	PMG
Bearing Arrangement	Double
Ingress Protection	IP23 air filters
Output configurations	1 phase re-connectable
Voltage sensing	3-Phase sensing
AVR	Digital
Temperature monitoring	Winding RTDs
Temperature monitoring	Thermistors
Environmental protection	Anti-condensation heaters

Designed For

Marine Propulsion	
Marine Auxiliary	●



Low Voltage

250 - 1,250 kVA

DIMENSIONS

Drawings represent standard design. All dimensions in millimetres (mm)

STAMFORD®**HCM5**

Model	HCM5
Maximum continuous rating at 50Hz (kVA)	670
Maximum continuous rating at 60Hz (kVA)	825

Specifications

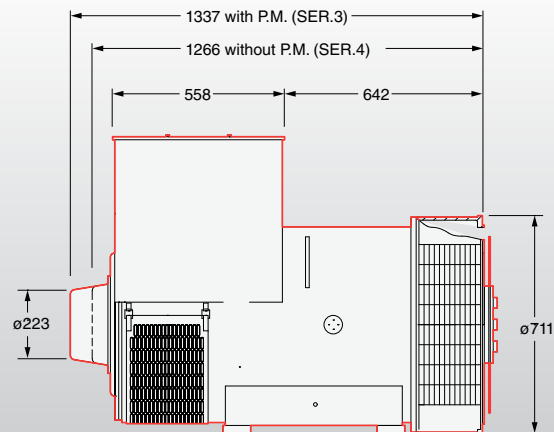
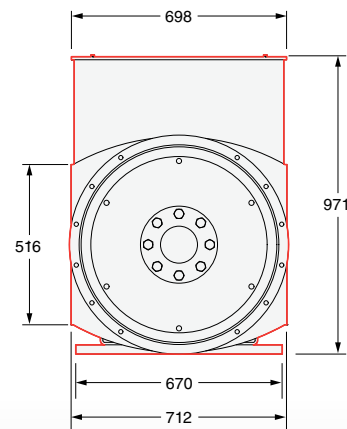
Voltage Range	380-690
Poles	4
Technology	Wire wound
AVR	Analogue
Voltage sensing	2-Phase
Bearing Arrangement	Single
SAE Adaptors	00, 0, 0.5, 1
Terminals	12
Material Insulation Class	H
Excitation System	Self exciting
Ingress Protection	IP23
Connection with other machines	Paralleling capability

Optional Features

Excitation System	PMG
Bearing Arrangement	Double
Ingress Protection	IP23 air filters
Output configurations	3 phase re-connectable
Voltage sensing	3-Phase sensing
AVR	Digital
Temperature monitoring	Winding RTDs
Temperature monitoring	Thermistors
Environmental protection	Anti-condensation heaters

Designed For

Marine Propulsion	
Marine Auxiliary	●



Low Voltage

250 - 1,250 kVA

DIMENSIONS

Drawings represent standard design. All dimensions in millimetres (mm)

AvK®

DSG 62

Model	DSG 62
Maximum continuous rating at 50Hz (kVA)	1,100
Maximum continuous rating at 60Hz (kVA)	1,320

Specifications

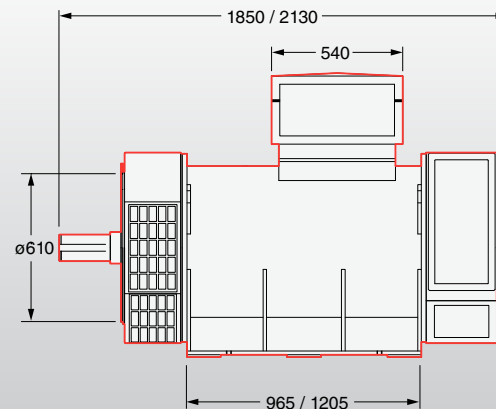
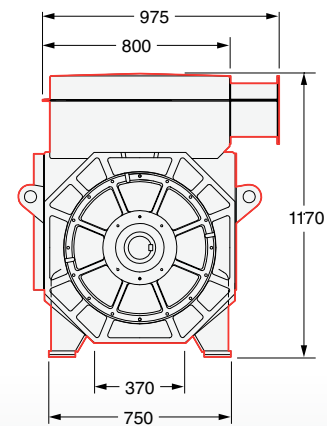
Voltage Range	400-690
Poles	4
Technology	Bar wound
AVR	Digital
Voltage sensing	3-Phase
Bearing Arrangement	Double
SAE Adaptors	1, 0, 00
Terminals	6
Material Insulation Class	H
Excitation System	Auxiliary winding
Ingress Protection	IP23
Temperature monitoring	Winding RTDs
Connection with other machines	Paralleling capability

Optional Features

Bearing Arrangement	Sleeve bearings
Ingress Protection	IP23 air filters
Ingress Protection	IP44/54/55 Totally enclosed
Cooling options	CACA/CACW
Environmental protection	Anti-condensation heaters

Designed For

Marine Propulsion	
Marine Auxiliary	●



Low Voltage

250 - 1,250 kVA

DIMENSIONS

Drawings represent standard design. All dimensions in millimetres (mm)

STAMFORD®**HCM6**

Model	HCM6
Maximum continuous rating at 50Hz (kVA)	1,135
Maximum continuous rating at 60Hz (kVA)	1,438

Specifications

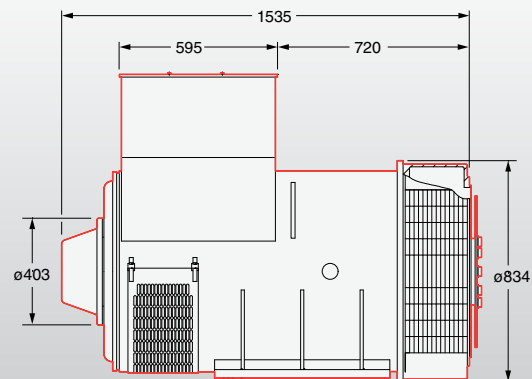
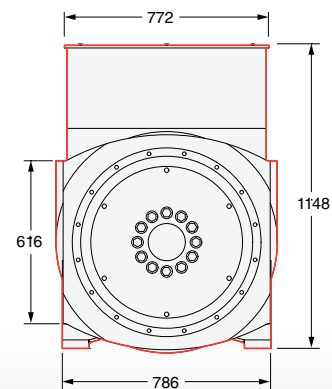
Voltage Range	380-690
Poles	4, 6
Technology	Wire wound
AVR	Analogue
Voltage sensing	3-Phase
Bearing Arrangement	Single
SAE Adaptors	00, 0, 0.5
Terminals	6
Material Insulation Class	H
Excitation System	PMG
Ingress Protection	IP23
Connection with other machines	Paralleling capability

Optional Features

Bearing Arrangement	Double
Ingress Protection	IP23 air filters
Ingress Protection	IP44 air filters
Output configurations	3 phase re-connectable
AVR	Digital
Temperature monitoring	Winding RTDs
Temperature monitoring	Thermistors
Environmental protection	Anti-condensation heaters

Designed For

Marine Propulsion	
Marine Auxiliary	●



Low Voltage

250 - 1,250 kVA

DIMENSIONS

Drawings represent standard design. All dimensions in millimetres (mm)

AvK®

DSG 74

Model	DSG 74
Maximum continuous rating at 50Hz (kVA)	2,000
Maximum continuous rating at 60Hz (kVA)	2,400

Specifications

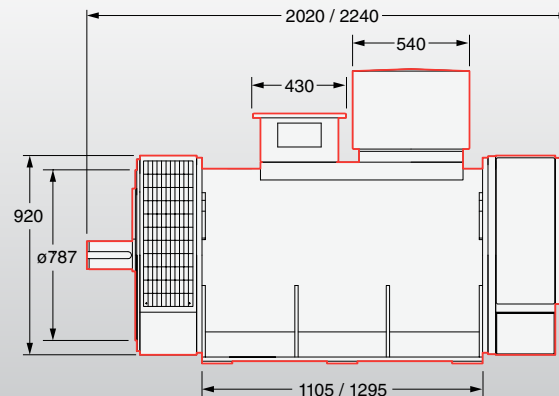
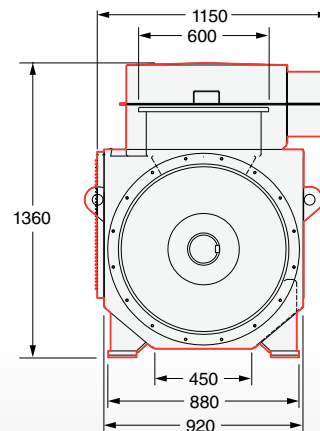
Voltage Range	400-690
Poles	4, 6, 8
Technology	Bar wound
AVR	Digital
Voltage sensing	3-Phase
Bearing Arrangement	Double
SAE Adaptors	1, 0, 00
Terminals	6
Material Insulation Class	H
Excitation System	Auxiliary winding
Ingress Protection	IP23
Temperature monitoring	Winding RTDs
Connection with other machines	Paralleling capability

Optional Features

Bearing Arrangement	Sleeve bearings
Ingress Protection	IP23 air filters
Ingress Protection	IP44/54/55 Totally enclosed
Cooling options	CACA/CACW
Environmental protection	Anti-condensation heaters

Designed For

Marine Propulsion	
Marine Auxiliary	●



Low Voltage

1,250 - 4,000 kVA

DIMENSIONS

Drawings represent standard design. All dimensions in millimetres (mm)

STAMFORD®**PM7**

Model	PM7
Maximum continuous rating at 50Hz (kVA)	2,200
Maximum continuous rating at 60Hz (kVA)	2,750

Standard Features

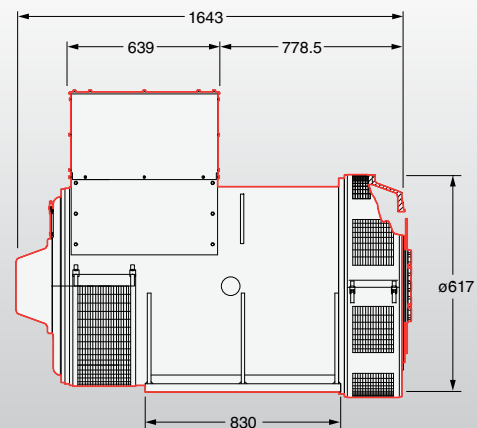
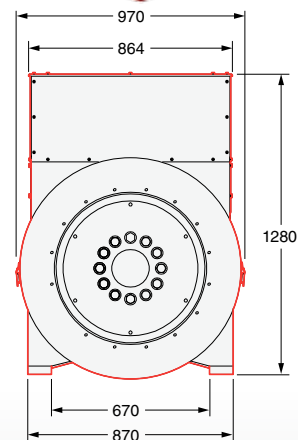
Voltage Range	380-690
Poles	4, 6
Technology	Wire wound
AVR	Analogue
Voltage sensing	2-Phase
Bearing Arrangement	Single
SAE Adaptors	0, 00
Terminals	6
Material Insulation Class	H
Excitation System	PMG
Ingress Protection	IP23
Connection with other machines	Paralleling capability

Optional Features

Bearing Arrangement	Double
Ingress Protection	IP23 air filters
Ingress Protection	IP44 air filters
Voltage sensing	3-Phase sensing
AVR	Digital
Temperature monitoring	Winding RTDs
Temperature monitoring	Thermistors
Environmental protection	Anti-condensation heaters

Designed For

Marine Propulsion	●
Marine Auxiliary	●



Low Voltage

1,250 - 4,000 kVA

DIMENSIONS

Drawings represent standard design. All dimensions in millimetres (mm)

AvK®**DSG 86**

Model	DSG 86
Maximum continuous rating at 50Hz (kVA)	2,990
Maximum continuous rating at 60Hz (kVA)	3,408

Specifications

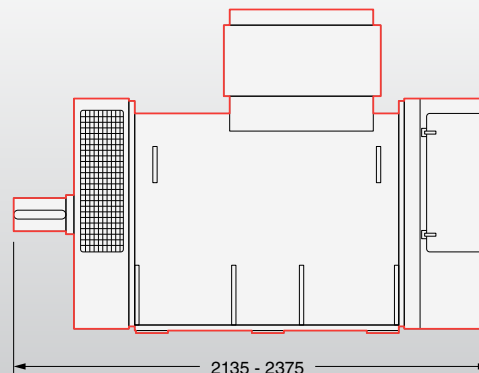
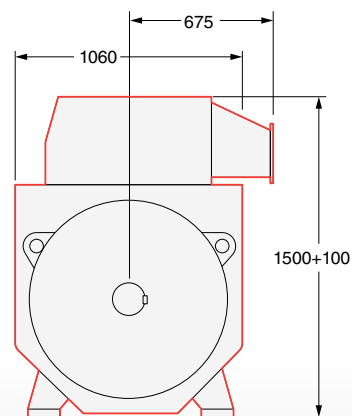
Voltage Range	400-690
Poles	4, 6, 8, 10
Technology	Bar wound
AVR	Digital
Voltage sensing	3-Phase
Bearing Arrangement	Double
SAE Adaptors	1, 0, 00
Terminals	6
Material Insulation Class	H
Excitation System	Auxiliary winding
Ingress Protection	IP23
Temperature monitoring	Winding RTDs
Connection with other machines	Paralleling capability

Optional Features

Bearing Arrangement	Sleeve bearings
Ingress Protection	IP23 air filters
Ingress Protection	IP44/54/55 Totally enclosed
Cooling options	CACA/CACW
Environmental protection	Anti-condensation heaters

Designed For

Marine Propulsion	●
Marine Auxiliary	●



Low Voltage

1,250 - 4,000 kVA

DIMENSIONS

Drawings represent standard design. All dimensions in millimetres (mm)

AvK®**DSG 99**

Model	DSG 99
Maximum continuous rating at 50Hz (kVA)	4,700
Maximum continuous rating at 60Hz (kVA)	5,300

Specifications

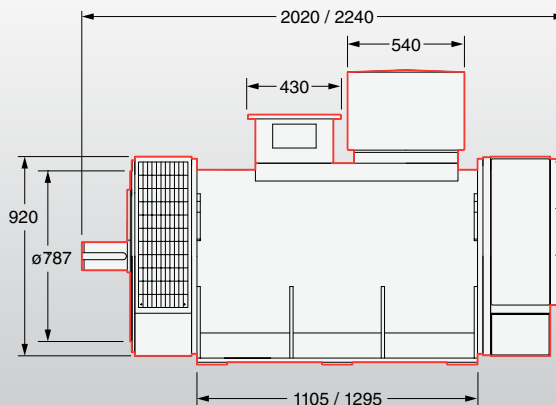
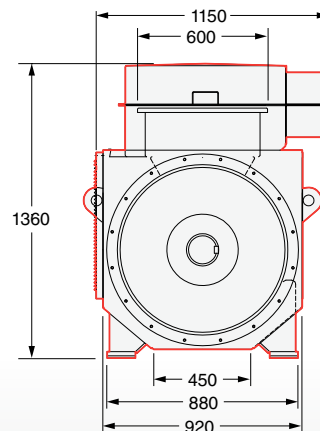
Voltage Range	400-690
Poles	4, 6, 8, 10
Technology	Bar wound
AVR	Digital
Voltage sensing	3-Phase
Bearing Arrangement	Double
SAE Adaptors	0, 00
Terminals	6
Material Insulation Class	H
Excitation System	Auxiliary winding
Ingress Protection	IP23
Temperature monitoring	Winding RTDs
Connection with other machines	Paralleling capability

Optional Features

Bearing Arrangement	Sleeve bearings
Ingress Protection	IP23 air filters
Ingress Protection	IP44/54/55 Totally enclosed
Cooling options	CACA/CACW
Environmental protection	Anti-condensation heaters

Designed For

Marine Propulsion	●
Marine Auxiliary	●



Low Voltage

4,000 - 7,000 kVA

AvK[®]**DSG 114**

Model	DSG 114
Maximum continuous rating at 50Hz (kVA)	5,000
Maximum continuous rating at 60Hz (kVA)	5,940

Specifications

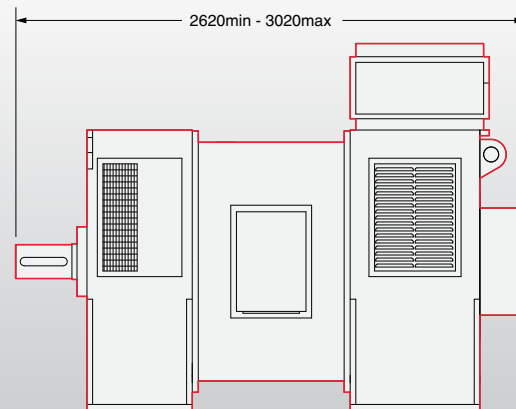
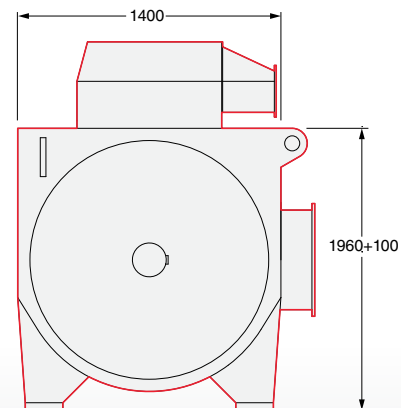
Voltage Range	400-690
Poles	6, 8, 10
Technology	Bar wound
AVR	Digital
Voltage sensing	3-Phase
Bearing Arrangement	Double
SAE Adaptors	0, 00
Terminals	6
Material Insulation Class	H
Excitation System	Auxiliary winding
Ingress Protection	IP23
Temperature monitoring	Winding RTDs
Connection with other machines	Paralleling capability

Optional Features

Bearing Arrangement	Sleeve bearings
Ingress Protection	IP23 air filters
Ingress Protection	IP44/54/55 Totally enclosed
Cooling options	CACA/CACW
Environmental protection	Anti-condensation heaters

Designed For

Marine Propulsion	●
Marine Auxiliary	●



Low Voltage

4,000 - 7,000 kVA

DIMENSIONS

Drawings represent standard design. All dimensions in millimetres (mm)

AvK®**DSG 125**

Model	DSG 125
Maximum continuous rating at 50Hz (kVA)	7,000
Maximum continuous rating at 60Hz (kVA)	8,500

Specifications

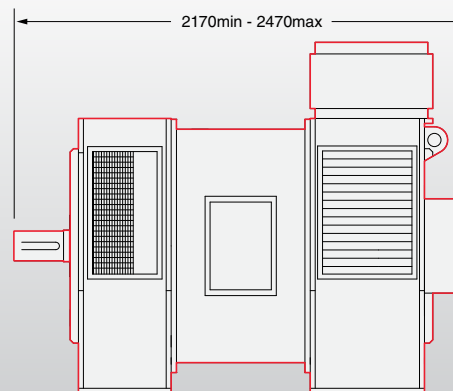
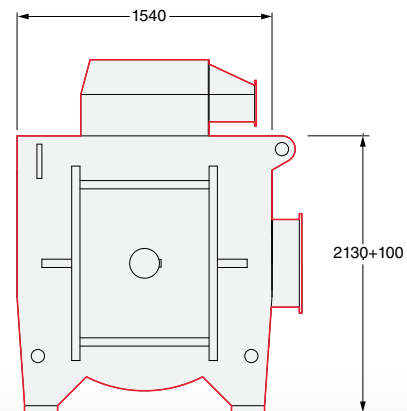
Voltage Range	690
Poles	8, 10
Technology	Bar wound
AVR	Digital
Voltage sensing	3-Phase
Bearing Arrangement	Double (Sleeve bearings)
SAE Adaptors	0, 00
Terminals	6
Material Insulation Class	H
Excitation System	Auxiliary winding
Ingress Protection	IP44
Temperature monitoring	Winding RTDs
Connection with other machines	Paralleling capability

Optional Features

Ingress Protection	IP54/55 Totally enclosed
Cooling options	CACW
Environmental protection	Anti-condensation heaters

Designed For

Marine Propulsion	●
Marine Auxiliary	●



Low Voltage

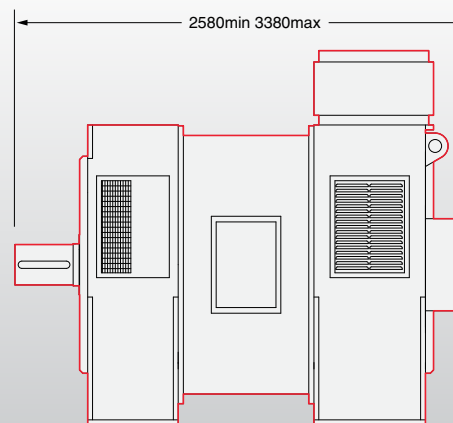
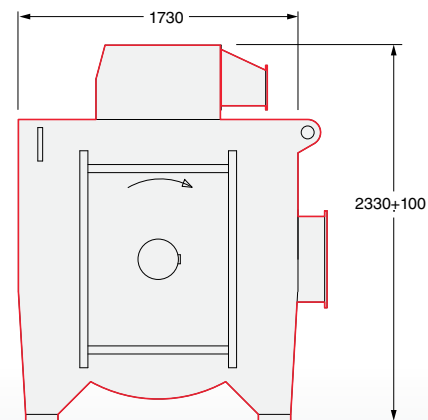
4,000 - 7,000 kVA

DIMENSIONS

Drawings represent standard design. All dimensions in millimetres (mm)

AvK[®]**DSG 144**

Model	DSG 144
Maximum continuous rating at 60Hz (kVA)	6,600
Specifications	
Voltage Range	690
Poles	10
Technology	Bar wound
AVR	Digital
Voltage sensing	3-Phase
Bearing Arrangement	Double (Sleeve bearings)
SAE Adaptors	0, 00
Terminals	6
Material Insulation Class	H
Excitation System	Auxiliary winding
Ingress Protection	IP44
Temperature monitoring	Winding RTDs
Connection with other machines	Paralleling capability
Optional Features	
Ingress Protection	IP54/55 Totally enclosed
Cooling options	CACW
Environmental protection	Anti-condensation heaters
Designed For	
Marine Propulsion	●
Marine Auxiliary	●



Low Voltage

4,000 - 7,000 kVA

DIMENSIONS

Drawings represent standard design. All dimensions in millimetres (mm)

AvK®**DIG 140**

Model	DIG 140
Maximum continuous rating at 50Hz (kVA)	4,600
Maximum continuous rating at 60Hz (kVA)	5,300

Specifications

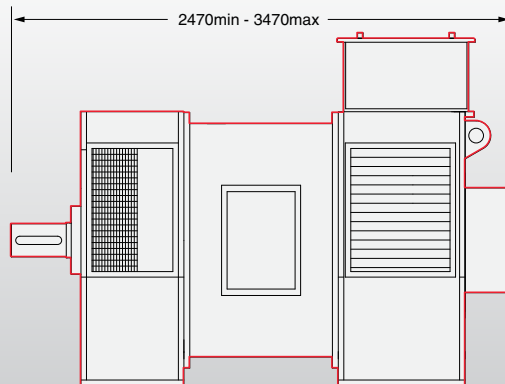
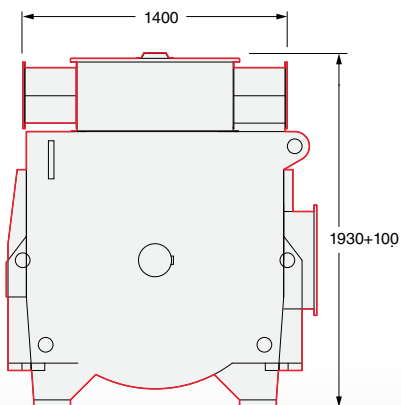
Voltage Range	3,300-13,800
Poles	4, 6
Technology	Bar wound
AVR	Digital
Voltage sensing	3-Phase
Bearing Arrangement	Double
SAE Adaptors	0, 00
Terminals	6
Material Insulation Class	F
Excitation System	Auxiliary winding
Ingress Protection	IP23
Temperature monitoring	Winding RTDs
Connection with other machines	Paralleling capability

Optional Features

Bearing Arrangement	Sleeve bearings
Ingress Protection	IP23 air filters
Ingress Protection	IP44/54 Totally enclosed
Cooling options	CACA/CACW
Environmental protection	Anti-condensation heaters

Designed For

Marine Propulsion	●
Marine Auxiliary	



High Voltage
1,000 - 6,000 kVA

AvK®**DIG 150**

Model	DIG 150
Maximum continuous rating at 50Hz (kVA)	7,400
Maximum continuous rating at 60Hz (kVA)	8,500

Specifications

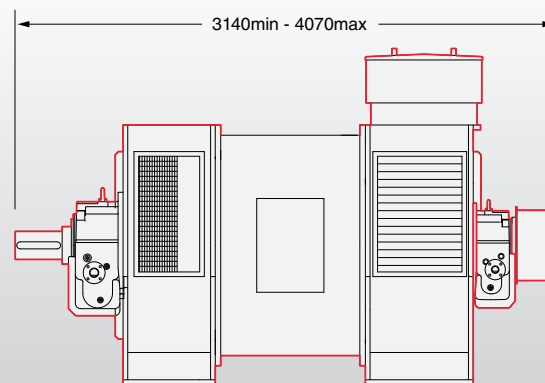
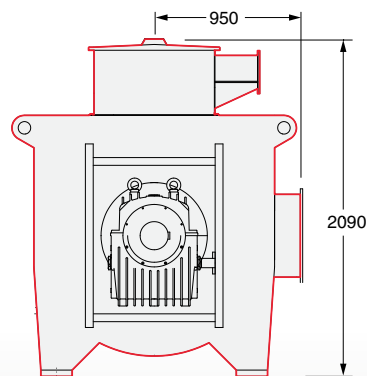
Voltage Range	3,300-13,800
Poles	4, 6, 8
Technology	Bar wound
AVR	Digital
Voltage sensing	3-Phase
Bearing Arrangement	Double
SAE Adaptors	0, 00
Terminals	6
Material Insulation Class	F
Excitation System	Auxiliary winding
Ingress Protection	IP23
Temperature monitoring	Winding RTDs
Connection with other machines	Paralleling capability

Optional Features

Bearing Arrangement	Sleeve bearings
Ingress Protection	IP23 air filters
Ingress Protection	IP44/54 Totally enclosed
Cooling options	CACA/CACW
Environmental protection	Anti-condensation heaters

Designed For

Marine Propulsion	●
Marine Auxiliary	



High Voltage

6,000 - 20,000 kVA

DIMENSIONS

Drawings represent standard design. All dimensions in millimetres (mm)

AvK®**DIG 156**

Model	DIG 156
Maximum continuous rating at 50Hz (kVA)	10,800
Maximum continuous rating at 60Hz (kVA)	11,200

Specifications

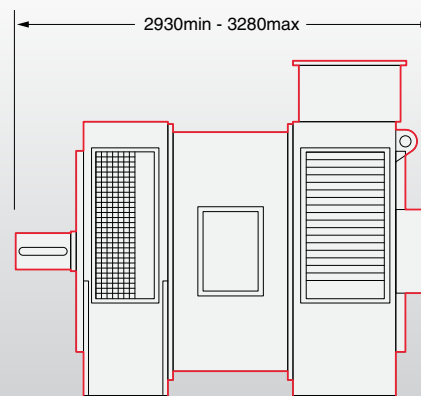
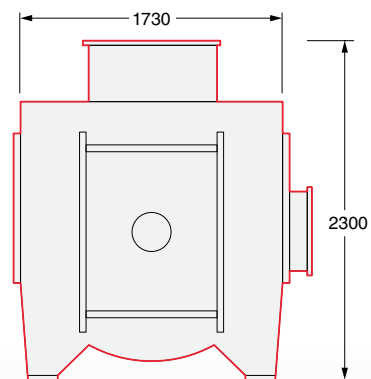
Voltage Range	3,300-13,800
Poles	4, 6, 8, 10
Technology	Bar wound
AVR	Digital
Voltage sensing	3-Phase
Bearing Arrangement	Double (Sleeve bearings)
Terminals	6
Material Insulation Class	F
Excitation System	Auxiliary winding
Ingress Protection	IP23
Temperature monitoring	Winding RTDs
Connection with other machines	Paralleling capability

Optional Features

Ingress Protection	IP23 air filters
Ingress Protection	IP44/54 Totally enclosed
Cooling options	CACA/CACW
Environmental protection	Anti-condensation heaters

Designed For

Marine Propulsion	●
Marine Auxiliary	



High Voltage

6,000 - 20,000 kVA

DIMENSIONS

Drawings represent standard design. All dimensions in millimetres (mm)

Offshore Vessels

- Anchor Handling Tug Supply
- Drilling Rig Jack Up
- Floating Storage
- Offshore Construction Vessel
- Offshore Support Vessel
- Offshore Tug/Supply Ship
- Pipe Layer
- Platform Supply Vessel
- Standby Safety Vessel

Weighing from 1,000 to over 30,000 tonnes

AvK DSG 114, AvK DSG 99, AvK DSG 86
AvK DSG 74, AvK DSG 62



Offshore

Purpose	Vessel Name	Alternator Installed		Units	Vessel Built In	Year	Gross Weight (Tonnes)	IMO Number
Anchor Handling Tug Supply	Atlantic Eagle	AvK DSG 99		2	Canada	1999	3,157	9199103
Anchor Handling Tug Supply	Atlantic Kingfisher	AvK DSG 86		2	Canada	2002	3,453	9255892
Anchor Handling Tug Supply	Atlantic Osprey	AvK DSG 86		2	Canada	2003	3,453	9255907
Anchor Handling Tug Supply	Atlantic Raven	AvK DSG 86		2	Denmark	1999	2,981	9187942
Anchor Handling Tug Supply	Bourbon Surf	AvK DSG 99		2	Norway	2003	3,905	9272412
Anchor Handling Tug Supply	Far Saltire	AvK DSG 86		2	Denmark	2002	2,642	9239757
Anchor Handling Tug Supply	Far Saracen	AvK DSG 99		4	Romania	2010	6,107	9417842
Anchor Handling Tug Supply	Far Scout	AvK DSG 86		2	Norway	2001	3,170	9240108
Anchor Handling Tug Supply	Far Senator	AvK DSG 99		4	Norway	2013	6,170	9631747
Anchor Handling Tug Supply	Far Shogun	AvK DSG 99		4	Romania	2010	6,107	9417830
Anchor Handling Tug Supply	Far Sigma	AvK DSG 99		4	Romania	2014	6,170	9659062
Anchor Handling Tug Supply	Far Sovereign	AvK DSG 114		2	Norway	1999	4,418	9186675
Anchor Handling Tug Supply	Far Statesman	AvK DSG 99		4	Norway	2013	6,170	9631759
Anchor Handling Tug Supply	KI Saltfjord	AvK DSG 86		5	Romania	2011	8,360	9470478
Anchor Handling Tug Supply	KI Sandefjord	AvK DSG 86		5	Romania	2011	8,360	9470466
Anchor Handling Tug Supply	Lady Sandra	AvK DSG 86		2	Norway	1998	2,599	9172284
Anchor Handling Tug Supply	Mærsk Detector	AvK DSG 86		2	Chile	2006	5,470	9298911
Anchor Handling Tug Supply	Mærsk Dispatcher	AvK DSG 86		2	Chile	2005	5,470	9298909
Anchor Handling Tug Supply	Mærsk Handler	AvK DSG 99 AvK DSG 62		2 2	Norway	2002	3,427	9246724
Anchor Handling Tug Supply	Mærsk Helper	AvK DSG 62		2	Norway	2002	3,427	9246736
Anchor Handling Tug Supply	Mærsk Terrier	AvK DSG 114		4	Romania	2009	4,678	9413468
Anchor Handling Tug Supply	Mærsk Topper	AvK DSG 114		2	Romania	2008	4,689	9388584
Anchor Handling Tug Supply	Normand Borg	AvK DSG 86		2	Norway	2000	3,154	9229477
Anchor Handling Tug Supply	Normand Progress	AvK DSG 74		4	Norway	1999	5,944	9191510
Anchor Handling Tug Supply	Normand Prosper	AvK DSG 86 AvK DSG 62		4 1	Romania	2010	8,053	9447952
Anchor Handling Tug Supply	Olympic Poseidon	AvK DSG 99		2	Norway	1998	3,153	9171620
Anchor Handling Tug Supply	Pacific Patriot	AvK DSG 74		1	Indonesia	2004	1,184	9314480
Anchor Handling Tug Supply	Pacific Pilot	AvK DSG 74		2	Indonesia	2004	1,184	9314492
Anchor Handling Tug Supply	Pacific Pioneer	AvK DSG 74		2	Indonesia	2005	1,184	9314507
Anchor Handling Tug Supply	Pacific Raider	AvK DSG 74		1	South Korea	2002	1,864	9246425

Offshore

Purpose	Vessel Name	Alternator Installed	Units	Vessel Built In	Year	Gross Weight (Tonnes)	IMO Number
Anchor Handling Tug Supply	Pacific Ranger	AvK DSG 74	1	South Korea	2002	1,864	9236808
Anchor Handling Tug Supply	Pacific Retriever	AvK DSG 74	1	South Korea	2002	1,864	9236810
Anchor Handling Tug Supply	Pacific Rigger	AvK DSG 74	1	South Korea	2002	1,864	9246437
Anchor Handling Tug Supply	Pacific Rover	AvK DSG 74	1	Singapore	2002	1,879	9257515
Anchor Handling Tug Supply	Pacific Runner	AvK DSG 74	1	Singapore	2003	1,879	9257527
Anchor Handling Tug Supply	Pacific Warden	AvK DSG 74	1	Romania	2002	2,328	9250036
Anchor Handling Tug Supply	Pacific Warrior	AvK DSG 74	2	Norway	2002	2,327	9250012
Anchor Handling Tug Supply	Pacific Wizard	AvK DSG 74	1	South Korea	2003	2,332	9270610
Anchor Handling Tug Supply	Pacific Worker	AvK DSG 74	2	Norway	2002	2,325	9250024
Anchor Handling Tug Supply	Pacific Wrangler	AvK DSG 74	1	South Korea	2003	2,332	9270608
Anchor Handling Tug Supply	Rem Gambler	AvK DSG 86	4	Romania	2010	8,053	9447964
Anchor Handling Tug Supply	Skandi Amazonas	AvK DSG 86	4	Brazil	2011	7,099	9528328
Anchor Handling Tug Supply	Skandi Iceman	AvK DSG 114	3	Romania	2013	8,269	9660073
Anchor Handling Tug Supply	Skandi Iguacu	AvK DSG 86	4	Brazil	2012	7,099	9528354
Anchor Handling Tug Supply	Skandi Mogster	AvK DSG 86	2	Norway	1998	2,598	9166613
Anchor Handling Tug Supply	Skandi Stord	AvK DSG 86	2	Chile	1999	2,900	9198484
Anchor Handling Tug Supply	Stril Power	AvK DSG 99	2	Norway	1997	2,926	9150224
Anchor Handling Tug Supply	Strilborg	AvK DSG 99	2	Norway	1998	2,957	9158666
Anchor Handling Tug Supply	Temasek Attaka	AvK DSG 74	1	Singapore	2002	1,319	9242780
Anchor Handling Tug Supply	Temasek Sepinggan	AvK DSG 74	1	Singapore	2002	1,302	9246255
Anchor Handling Tug Supply	Union Manta	AvK DSG 86	2	Denmark	2003	3,164	9261487
Drilling Rig, Jack Up	West Elara	AvK DSG 86	2	Singapore	2011	25,005	8769949
Floating Storage Offshore (Oil)	Ptsc Bien Dong 01	AvK DSG 99	3	South Korea	2013	31,151	9633496
Offshore Construction Vessel, Jack Up	Teras Fortress 2	AvK DSG 74	2	Vietnam	2015	6,700	9678965
Offshore Supply Vessel	Olympic Taurus	AvK DSG 86	4	Norway	2012	4,902	9628465
Offshore Support Vessel	Edda Fauna	AvK DSG 86	7	Romania	2008	9,464	9368948
Offshore Support Vessel	Grand Canyon	AvK DSG 99	1	Turkey	2012	12,652	9614608
Offshore Support Vessel	Normand Baltic	AvK DSG 86	4	Romania	2010	4,792	9468190
Offshore Support Vessel	Olympic Challenger	AvK DSG 86	1	Norway	2008	6,596	9398292
Offshore Support Vessel	Olympic Commander	AvK DSG 86	4	Norway	2012	4,827	9602904
Offshore Support Vessel	Olympic Orion	AvK DSG 86	4	Norway	2012	4,902	9617313
Offshore Support Vessel	Olympic Triton	AvK DSG 114	1	Poland	2007	5,947	9383754

Offshore

Purpose	Vessel Name	Alternator Installed		Units	Vessel Built In	Year	Gross Weight (Tonnes)	IMO Number
Offshore Support Vessel	Polar Prince	AvK DSG 114		2	Norway	1999	6,951	9181481
Offshore Support Vessel	Rem Installer	AvK DSG 86		6	Norway	2013	7,403	9661170
Offshore Support Vessel	Skandi Hugen	AvK DSG 99		3	Turkey	2013	4,365	9625011
Offshore Support Vessel	Skandi Marøy	AvK DSG 99		3	Turkey	2012	3,588	9625011
Offshore Tug/Supply Ship	Edda Frigg	AvK DSG 86		1	Romania	1997	2,898	9127320
Offshore Tug/Supply Ship	Far Sailor	AvK DSG 86		2	Norway	1997	3,057	9157820
Offshore Tug/Supply Ship	Far Senior	AvK DSG 86		2	Norway	1998	3,125	9171876
Offshore Tug/Supply Ship	Kan Tan 311	AvK DSG 86		2	China	2011	3,609	9630298
Pipe Layer	Normand Pioneer	AvK DSG 114		2	Norway	1999	5,913	9179751
Platform Supply Vessel	Armada Tuah 300	AvK DSG 99		4	Norway	2012	3,644	9613707
Platform Supply Vessel	Blue Fighter	AvK DSG 62		4	Norway	2012	3,644	9613692
Platform Supply Vessel	Blue Guardian	AvK DSG 86 AvK DSG 62		2 2	Ukraine	2013	3,639	9665114
Platform Supply Vessel	Blue Power	AvK DSG 86		2	Ukraine	2013	3,644	9651890
Platform Supply Vessel	Blue Prosper	AvK DSG 86 AvK DSG 62		2 2	Norway	2012	3,644	9613707
Platform Supply Vessel	Blue Thunder	AvK DSG 62		2	Ukraine	2013	3,639	9665102
Platform Supply Vessel	Bourbon Rainbow	AvK DSG 86		1	China	2013	4,058	9530137
Platform Supply Vessel	Brage Supplier	AvK DSG 99		4	India	2011	4,059	9529920
Platform Supply Vessel	Brage Trader	AvK DSG 99		4	India	2012	4,059	9529932
Platform Supply Vessel	Durga Devi	AvK DSG 74		1	India	2010	2,177	9444364
Platform Supply Vessel	Energy Insula	AvK DSG 99		4	Norway	2013	4,552	9634347
Platform Supply Vessel	Evita	AvK DSG 99		4	Norway	2012	4,258	9649562
Platform Supply Vessel	Harvey Energy	AvK DSG 114		3	USA	2015	4,458	9654220
Platform Supply Vessel	Harvey Liberty	AvK DSG 114		3	USA	2015	3,900	9654244
Platform Supply Vessel	Harvey Power	AvK DSG 114		3	USA	2015	4,500	9654232
Platform Supply Vessel	Havila Charisma	AvK DSG 86		2	Turkey	2012	4,327	9631890
Platform Supply Vessel	Havila Commander	AvK DSG 86		4	Russia	2010	4,366	9470193
Platform Supply Vessel	Highland Prince	AvK DSG 86		4	Romania	2009	3,639	9439450
Platform Supply Vessel	Hos Brimstone	AvK DSG 86		2	USA	2002	2,520	9271016
Platform Supply Vessel	Hos Sandstorm	AvK DSG 86		2	USA	2002	2,520	9246865
Platform Supply Vessel	Hos Stormridge	AvK DSG 86		2	USA	2002	2,520	9246877

Offshore

Purpose	Vessel Name	Alternator Installed	Units	Vessel Built In	Year	Gross Weight (Tonnes)	IMO Number
Platform Supply Vessel	Juanita	AvK DSG 99 AvK DSG 86	3 2	Norway	2014	4,840	9665011
Platform Supply Vessel	KI Barentsfjord	AvK DSG 86	4	Brazil	2011	4,518	9482366
Platform Supply Vessel	KI Brevikfjord	AvK DSG 86	4	Romania	2010	4,518	9482330
Platform Supply Vessel	KI Brisfjord	AvK DSG 86	4	Romania	2011	4,518	9482342
Platform Supply Vessel	Lewek Alkaid	AvK DSG 114	2	Vietnam	2013	2,972	9640281
Platform Supply Vessel	Lewek Avior	AvK DSG 114	2	Vietnam	2013	2,972	9640279
Platform Supply Vessel	Lui Tide	AvK DSG 86	3	Romania	2001	1,970	9231080
Platform Supply Vessel	Lyngoer	AvK DSG 86	4	Indonesia	2015	4,075	9685994
Platform Supply Vessel	Ma Devi	AvK DSG 74	1	India	2010	2,177	9444352
Platform Supply Vessel	Mermaid Leeuwin	AvK DSG 74	4	Singapore	2013	3,464	9674658
Platform Supply Vessel	North Purpose	AvK DSG 86	4	Romania	2010	3,639	9439462
Platform Supply Vessel	North Stream	AvK DSG 86	2	Romania	1998	3,106	9158678
Platform Supply Vessel	Pacific Harrier	AvK DSG 99	4	Japan	2012	4,059	9579107
Platform Supply Vessel	Pacific Heron	AvK DSG 99	4	Japan	2013	4,059	9579121
Platform Supply Vessel	Pacific Hornbill	AvK DSG 99	4	Japan	2012	4,059	9579119
Platform Supply Vessel	Rem Commander	AvK DSG 99	4	Norway	2011	4,258	9591870
Platform Supply Vessel	Rem Fortress	AvK DSG 99	4	Norway	2011	4,258	9591882
Platform Supply Vessel	Rem Fortune	AvK DSG 99	4	Norway	2013	4,560	9683659
Platform Supply Vessel	Rem Hrist	AvK DSG 86	4	Ukraine	2011	4,157	9521655
Platform Supply Vessel	Rem Mist	AvK DSG 86	4	Ukraine	2011	4,157	9521667
Platform Supply Vessel	Sea Brasil	AvK DSG 86	4	Brazil	2012	3,938	9573440
Platform Supply Vessel	Sea Falcon	AvK DSG 86	4	China	2013	4,003	9645683
Platform Supply Vessel	Sea Flyer	AvK DSG 86	4	China	2013	4,003	9645695
Platform Supply Vessel	Sea Forth	AvK DSG 86	4	China	2013	4,003	9656723
Platform Supply Vessel	Sea Frost	AvK DSG 86	4	China	2013	4,003	9656735
Platform Supply Vessel	Sea Spark	AvK DSG 86	4	China	2013	4,007	9656620
Platform Supply Vessel	Sea Spear	AvK DSG 86	4	China	2014	4,007	9656632
Platform Supply Vessel	Sea Spider	AvK DSG 86	4	China	2014	4,007	9656644
Platform Supply Vessel	Sea Springer	AvK DSG 86	4	China	2014	4,007	9656656
Platform Supply Vessel	Sea Supra	AvK DSG 86	4	China	2014	4,007	9656668
Platform Supply Vessel	Sea Surver	AvK DSG 86	4	China	2014	4,007	9656670

Offshore

Purpose	Vessel Name	Alternator Installed	Units	Vessel Built In	Year	Gross Weight (Tonnes)	IMO Number
Platform Supply Vessel	Sea Tantalus	AvK DSG 74	4	India	2013	3,455	9575620
Platform Supply Vessel	Sea Titus	AvK DSG 74	4	India	2014	3,455	9575632
Platform Supply Vessel	Sea Tortuga	AvK DSG 74	4	India	2014	3,455	9624744
Platform Supply Vessel	Sea Triumph	AvK DSG 74	4	India	2014	3,455	9624756
Platform Supply Vessel	Siem Atlas	AvK DSG 86	4	Brazil	2013	3,933	9578660
Platform Supply Vessel	Siem Giant	AvK DSG 86	4	Brazil	2014	3,933	9578672
Platform Supply Vessel	Skandi Aukra	AvK DSG 99	4	Turkey	2012	3,966	9625425
Platform Supply Vessel	Skandi Hawk	AvK DSG 99	4	India	2012	4,508	9480734
Platform Supply Vessel	Skandi Kvitsoy	AvK DSG 86	4	Romania	2012	3,958	9613824
Platform Supply Vessel	Skandi Nova	AvK DSG 114 AvK DSG 99	2 1	Turkey	2012	3,788	9625009
Platform Supply Vessel	Stril Orion	AvK DSG 86	4	Romania	2011	4,323	9584554
Platform Supply Vessel	Stril Polar	AvK DSG 86	4	Romania	2012	4,900	9590565
Platform Supply Vessel	Toisa Warrior	AvK DSG 99	2	China	2011	4,801	9427108
Platform Supply Vessel	Troms Artemis	AvK DSG 86	4	Poland	2011	4,344	9544516
Platform Supply Vessel	Troms Lyra	AvK DSG 86	3	Romania	2013	3,409	9649184
Platform Supply Vessel	Troms Sirius	AvK DSG 86	4	Turkey	2012	4,201	9628386
Platform Supply Vessel	Up Jasper	AvK DSG 99	2	China	2011	3,753	9557666
Platform Supply Vessel	Up Turquoise	AvK DSG 99	2	China	2010	3,753	9557654
Platform Supply Vessel	Varada Supplier	AvK DSG 74	4	India	2015	2,500	9613501
Platform Supply Vessel	Vestland Cetus	AvK DSG 99	4	Poland	2013	4,552	9644342
Platform Supply Vessel	Vestland Mistral	AvK DSG 86	4	Poland	2012	4,344	9620982
Platform Supply Vessel	Viking Fighter	AvK DSG 99 AvK DSG 86	2 2	Romania	2012	3,580	9623025
Platform Supply Vessel	Vos Precious	AvK DSG 74	1	India	2010	2,177	9444338
Platform Supply Vessel	Vos Prelude	AvK DSG 74	1	India	2010	2,177	9444340
Standby Safety Vessel	Esvagt Aurora	AvK DSG 99 AvK DSG 86	10 2	Spain	2012	4,462	9594042

Tankers

- Chemical Tanker
- Product Tanker
- Oil Tanker
- LPG Tanker
- Shuttle Tanker

Weighing from 2,500 all the way up to 60,000 tonnes

**AvK DSG 114, AvK DSG 99, AvK DSG 86
AvK DSG 74, AvK DSG 62**



Tankers

Purpose	Vessel Name	Alternator Installed	Units	Vessel Built In	Year	Gross Weight (Tonnes)	IMO Number
Chemical Tanker	Tarndal	AvK DSG 74	2	China	1998	5,685	9151890
Chemical/Oil Product Tanker	Troitsky Bridge	AvK DSG 86	1	Russia	2003	27,725	9258167
Chemical/Oil Product Tanker	Tuchkov Bridge	AvK DSG 86	1	Russia	2004	27,725	9258179
Chemical/Product Tanker	Amazonith	AvK DSG 74	1	Turkey	2004	2,345	9293478
Chemical/Product Tanker	Atlantic	AvK DSG 74	1	China	2002	4,341	9268186
Chemical/Product Tanker	Atlantis Armona	AvK DSG 62	1	Turkey	2004	2,603	9268162
Chemical/Product Tanker	Belisaire	AvK DSG 62	2	Netherlands	2001	7,093	9229025
Chemical/Product Tanker	Birgit Knutsen	AvK DSG 99	1	China	2010	11,889	9483516
Chemical/Product Tanker	Black Shark	AvK DSG 62	1	Turkey	2010	6,026	9480655
Chemical/Product Tanker	Bomar Pluto	AvK DSG 74	1	Turkey	2008	3,997	9413585
Chemical/Product Tanker	Bow Chain	AvK DSG 74	1	Norway	2002	23,190	9214317
Chemical/Product Tanker	Cap Ferret	AvK DSG 114	3	Netherlands	1998	59,165	9173202
Chemical/Product Tanker	Caroline Essberger	AvK DSG 74	1	Turkey	2009	5,642	9439151
Chemical/Product Tanker	Claus	AvK DSG 74	1	Turkey	2004	4,973	9268253
Chemical/Product Tanker	Clipper Legacy	AvK DSG 62	1	Turkey	2005	6,522	9307437
Chemical/Product Tanker	Cosmo	AvK DSG 74	1	Turkey	2003	4,412	9251755
Chemical/Product Tanker	Dawn Dwarka	AvK DSG 86	3	Russia	1998	21,165	9147265
Chemical/Product Tanker	Distya Pushti	AvK DSG 86	3	Russia	1998	21,165	9179127
Chemical/Product Tanker	Eberhardt Arctic	AvK DSG 86	3	Germany	2002	22,345	9251676
Chemical/Product Tanker	Edeva	AvK DSG 86	3	Ukraine	1992	21,142	8920347
Chemical/Product Tanker	Elsa Essberger	AvK DSG 74	2	Turkey	2013	4,824	9481001
Chemical/Product Tanker	Filyoz	AvK DSG 74	1	Turkey	2010	4,034	9407213
Chemical/Product Tanker	Gazela	AvK DSG 74	1	Turkey	2010	4,242	9525572
Chemical/Product Tanker	Golden Belle Hana	AvK DSG 74	1	South Korea	2005	3,982	9310214
Chemical/Product Tanker	Heather	AvK DSG 74	1	Turkey	2010	5,655	9514456
Chemical/Product Tanker	Hitra	AvK DSG 74	1	Turkey	2009	3,997	9413652
Chemical/Product Tanker	Huari	AvK DSG 86	3	Ukraine	1993	21,143	8920359
Chemical/Product Tanker	Ievoli Sprint	AvK DSG 74	1	Italy	2003	3,703	9263722
Chemical/Product Tanker	Jian She 52	AvK DSG 62	1	Germany	1995	7,894	9085962
Chemical/Product Tanker	Johann Essberger	AvK DSG 74	1	Turkey	2011	4,824	9480980
Chemical/Product Tanker	Leander	AvK DSG 74	2	Germany	1999	8,085	9186704
Chemical/Product Tanker	Liquid Success	AvK DSG 74	2	Germany	1999	8,041	9186716

Tankers

Purpose	Vessel Name	Alternator Installed	Units	Vessel Built In	Year	Gross Weight (Tonnes)	IMO Number
Chemical/Product Tanker	Louise Knutsen	AvK DSG 99	1	China	2010	11,889	9442249
Chemical/Product Tanker	Neste	AvK DSG 99	1	China	2005	15,980	9255294
Chemical/Product Tanker	Nike	AvK DSG 74	1	Turkey	2009	5,803	9431032
Chemical/Product Tanker	Ozkan A	AvK DSG 74	1	Turkey	2009	5,287	9464285
Chemical/Product Tanker	Pavino	AvK DSG 74	1	Turkey	2005	3,983	9310381
Chemical/Product Tanker	Quercianella	AvK DSG 62	3	Italy	2004	8,748	9284439
Chemical/Product Tanker	Rc Behar	AvK DSG 74	1	Turkey	2009	3,997	9413664
Chemical/Product Tanker	Rina Amoretti	AvK DSG 86	1	Germany	1997	9,835	9152820
Chemical/Product Tanker	Seaturbot	AvK DSG 86	1	Germany	2000	21,353	9204764
Chemical/Product Tanker	Ship Ocean III	AvK DSG 86	3	Ukraine	1993	21,142	8920361
Chemical/Product Tanker	Simay G	AvK DSG 74	1	Turkey	2013	4,825	9502661
Chemical/Product Tanker	Sten Fjell	AvK DSG 99	1	China	2010	13,283	9460241
Chemical/Product Tanker	Sten Idun	AvK DSG 74	2	China	2002	11,935	9261102
Chemical/Product Tanker	Stenheim	AvK DSG 99	1	China	2003	11,935	9261114
Chemical/Product Tanker	Tana	AvK DSG 74	1	Turkey	2011	4,242	9525584
Chemical/Product Tanker	Tarnfors	AvK DSG 74	2	China	1998	5,686	9167930
Chemical/Product Tanker	Teatralny Bridge	AvK DSG 99	2	Russia	2004	27,725	9292058
Chemical/Product Tanker	Ursula Essberger	AvK DSG 74	1	Turkey	2011	4,807	9480992
Chemical/Product Tanker	Ym Mars	AvK DSG 74	1	Turkey	2011	4,242	9551806
Chemical/Product Tanker	Ym Mercury	AvK DSG 74	1	Turkey	2010	4,242	9452775
Chemical/Product Tanker	Ym Miranda	AvK DSG 74	1	Turkey	2013	8,975	9554755
Chemical/Product Tanker	Ym Neptune	AvK DSG 74	1	Turkey	2009	4,829	9464106
Chemical/Product Tanker	Ym Pluto	AvK DSG 74	1	Turkey	2009	4,829	9464118
LPG Tanker	Norgas Alameda	AvK DSG 99	1	China	2003	8,720	9240158
LPG Tanker	Norgas Napa	AvK DSG 99	1	China	2003	9,691	9254953
LPG Tanker	Norgas Orinda	AvK DSG 99	1	China	2002	8,720	9240122
LPG Tanker	Norgas Petaluma	AvK DSG 99	1	China	2003	8,720	9240146
LPG Tanker	Norgas Shasta	AvK DSG 99	1	China	2003	9,691	9254941
LPG Tanker	Norgas Sonoma	AvK DSG 99	1	China	2003	8,720	9240134
Product Tanker	Alev Kaman	AvK DSG 62	1	Turkey	2003	2,554	9268289
Product Tanker	Ek-Sky	AvK DSG 74	6	China	1999	8,829	9164512
Product Tanker	Ek-Star	AvK DSG 86	3	China	1999	8,829	9164524

Tankers

Purpose	Vessel Name	Alternator Installed	Units	Vessel Built In	Year	Gross Weight (Tonnes)	IMO Number
Product Tanker	Forth Fisher	AvK DSG 74	1	China	1997	3,368	9118159
Product Tanker	Galway Fisher	AvK DSG 74	1	China	1997	3,368	9118161
Product Tanker	Jian She 51	AvK DSG 62	1	Germany	1995	7,894	9085950
Product Tanker	Lucy PG	AvK DSG 74	1	Netherlands	2001	6,688	9229013
Product Tanker	Onyx-T	AvK DSG 74	1	China	1998	3,369	9118185
Product Tanker	Seabass	AvK DSG 86	1	Germany	2001	21,353	9251640
Product Tanker	Seahake	AvK DSG 86	1	Germany	2003	21,329	9255488
Product Tanker	Sealing	AvK DSG 86	1	Germany	2003	21,356	9251652
Product Tanker	Seamullet	AvK DSG 86	1	Germany	2001	21,353	9204776
Product Tanker	Searay	AvK DSG 86	1	Germany	2004	21,329	9255490
Product Tanker	Seychelles Pride	AvK DSG 86	3	Germany	2002	21,353	9251664
Product Tanker	Solent Fisher	AvK DSG 74	1	China	1997	3,368	9118173
Product Tanker	Svitzer Korsakov	AvK DSG 86	1	Russia	2006	27,724	9292058
Product Tanker	Tavrichesky Bridge	AvK DSG 86	1	Russia	2006	27,725	9292060
Product Tanker	Torgovy Bridge	AvK DSG 86	1	Russia	2005	27,723	9292058
Shuttle Tanker	Anneleen Knutsen	AvK DSG 86	1	Spain	2002	24,242	9176929

Passenger Vessels

- Cruise Ship
- Passenger Ship

Ranging all the way up to 123,000 tonnes

AvK DIG 150, AvK DSG 114, AvK DSG 99
AvK DSG 86, AvK DSG 74, AvK DSG 62



Passenger Vessels

Purpose	Vessel Name	Alternator Installed	Units	Vessel Built In	Year	Gross Weight (Tonnes)	IMO Number
Cruise Ship	Caribbean Princess	AvK DSG 86	2	Italy	2004	122,894	9215490
Cruise Ship	Crown Princess	AvK DSG 86	2	Italy	2006	113,561	9293399
Passenger Ship	Boknafjord	AvK DSG 114 AvK DSG 99	1 3	Lithuania	2011	7,536	9599896
Passenger Ship	Danielle Casanova	AvK DSG 150	5	Italy	2002	41,447	9230476
Passenger Ship	Finnmarken	AvK DSG 62	1	Norway	2002	15,690	9231951
Passenger Ship	Hiiumaa	AvK DSG 99 AvK DSG 86	2 2	Lithuania	2011	5,233	9481805
Passenger Ship	Hjaltland	AvK DSG 99 AvK DSG 86	1 2	Finland	2002	11,720	9244958
Passenger Ship	Hrossey	AvK DSG 99	1	Finland	2002	11,720	9244960
Passenger Ship	Mecklenburg-Vorpommern	AvK DSG 114	2	Germany	1996	37,987	9131797
Passenger Ship	Mega Express Four	AvK DSG 99	2	Germany	1995	25,710	9086590
Passenger Ship	Prins Willem Alexander	AvK DSG 74	2	Netherlands	2004	854	9275945
Passenger Ship	Prinses Maxima	AvK DSG 74	1	Netherlands	2004	854	9275933
Passenger Ship	Saaremaa	AvK DSG 99 AvK DSG 86	2 2	Lithuania	2010	5,233	9474072
Passenger Ship	Skania	AvK DSG 99	2	Germany	1995	29,933	9086588
Passenger Ship	Zi Yu Lan	AvK DSG 99	1	Germany	1995	16,071	9086899
Passenger Ship	Ziang Xue Lan	AvK DSG 99	1	Germany	1996	16,071	9086904

Fishing Vessels

- Fishing Vessel
- Live Fish Carrier
- Trawler
- Stern Trawler
- Factory Stern Trawler

Weighing under 5,000 tonnes

AvK DIG 140, AvK DSG 125, AvK DSG 114
AvK DSG 99, AvK DSG 86, AvK DSG 62



Fishing Vessels

Purpose	Vessel Name	Alternator Installed	Units	Vessel Built In	Year	Gross Weight (Tonnes)	IMO Number
Factory Stern Trawler	Atlantic Enterprise	AvK DSG 125	1	Romania	2002	3,457	9252515
Factory Stern Trawler	Melkart-3	AvK DIG 140	1	Mexico	1988	1,806	8801931
Factory Stern Trawler	Prestfjord	AvK DSG 114	1	Poland	2012	2,610	9584566
Factory Stern Trawler	Rehua	AvK DSG 99	1	Norway	1997	2,483	9147784
Fishery Patrol Vessel	Barend Blesheuvel	AvK DSG 62	2	Poland	2001	1,150	9226255
Fishing Vessel	Beitir	AvK DSG 99	2	Norway	1997	2,161	9161950
Fishing Vessel	Christina E	AvK DSG 86	3	Lithuania	2011	3,623	9554573
Fishing Vessel	Gitte Henning	AvK DSG 86	1	Lithuania	2014	4,138	9674830
Fishing Vessel	Havsnurp	AvK DSG 62	2	Lithuania	2012	1,401	9621948
Fishing Vessel	Leinebjørn	AvK DSG 99	1	Poland	2012	1,828	9605542
Fishing Vessel	Remoy Viking	AvK DSG 114	1	Norway	1979	705	7713022
Fishing Vessel	Rogne	AvK DSG 99	1	Lithuania	2013	1,964	9657208
Live Fish Carrier	Ro Fjell	AvK DSG 99	2	Latvia	2013	3,893	9632571
Stern Trawler	Andenesfisk I	AvK DSG 99	1	Turkey	2013	3,549	9652820
Stern Trawler	Fiskeskjer	AvK DSG 99	1	Romania	1999	1,969	9195781
Stern Trawler	Havbryn	AvK DSG 99	1	Turkey	2013	3,104	9639050
Stern Trawler	Havstrand	AvK DSG 99	1	Turkey	2013	3,104	9639062
Stern Trawler	Newfoundland Lynx	AvK DSG 99	1	Poland	2004	2,409	9158202
Stern Trawler	Strand Senior	AvK DSG 99	1	Romania	1999	1,969	9195779
Stern Trawler	Timmiarmut	AvK DSG 86	1	Denmark	1988	1,772	8714619
Stern Trawler	Volstad	AvK DSG 99	1	Turkey	2013	3,420	9652818
Trawler	Heimaey	AvK DSG 114	1	Chile	2012	2,186	9532707
Trawler	Nordervon	AvK DSG 99	1	Norway	1998	1,976	9185190

Cargo Vessels

- Bulk Carrier
- Cargo Ship
- Cement Carrier
- Container Ship
- General Cargo Ship
- Refrigerated Cargo Ship
- Ro-Ro Cargo Ship

Weighing up to 83,000 tonnes

AvK DIG 130, AvK DSG 114, AvK DSG 99
AvK DSG 86, AvK DSG 74, AvK DSG 62



Cargo Vessels

Purpose	Vessel Name	Alternator Installed	Units	Vessel Built In	Year	Gross Weight (Tonnes)	IMO Number
Bulk Carrier	China Steel Developer	AvK DSG 86	3	Taiwan	1998	82,115	9171424
Bulk Carrier	China Steel Express	AvK DSG 86	3	Taiwan	1997	82,112	9127253
Bulk Carrier	China Steel Investor	AvK DSG 86	3	Taiwan	1997	82,114	9127277
Bulk Carrier	China Steel Trader	AvK DSG 86	3	Taiwan	1997	82,113	9127265
Cargo Ship	Atlantic Power	AvK DSG 74	3	China	2000	12,993	9190119
Cargo Ship	Atlantic Progress	AvK DSG 74	3	China	2000	12,993	9190107
Cement Carrier	Glory Ocean	AvK DSG 99	2	Malaysia	1996	10,337	9116448
Container Ship (Fully Cellular)	Aggeliki	AvK DSG 74	1	Poland	1998	23,809	9146302
Container Ship (Fully Cellular)	Caribe	AvK DSG 86	3	Germany	1994	15,909	9074418
Container Ship (Fully Cellular)	Champion	AvK DSG 99	1	Poland	1998	23,899	9134610
Container Ship (Fully Cellular)	CS Setubal	AvK DSG 74	1	Germany	1997	11,153	9157131
Container Ship (Fully Cellular)	Diamantis P	AvK DSG 74	1	Poland	1998	23,809	9146314
Container Ship (Fully Cellular)	E Trader	AvK DSG 86	3	Germany	1994	15,909	9080522
Container Ship (Fully Cellular)	Francisco I	AvK DSG 62	1	Turkey	1999	10,384	9165449
Container Ship (Fully Cellular)	Glory	AvK DSG 99	1	Poland	1996	23,897	9124378
Container Ship (Fully Cellular)	Hong Yuan 01	AvK DSG 86	3	Germany	1996	29,181	9102734
Container Ship (Fully Cellular)	Hong Yuan 02	AvK DSG 74	1	Poland	1997	23,734	9137703
Container Ship (Fully Cellular)	HS Master	AvK DSG 99	1	Poland	1997	23,898	9134608
Container Ship (Fully Cellular)	IBN Hazm	AvK DSG 86	3	Romania	2005	9,910	9319569
Container Ship (Fully Cellular)	Kasif Kalkavan	AvK DSG 74	3	Turkey	2001	10,308	9236262
Container Ship (Fully Cellular)	Leyla Kalkavan	AvK DSG 74	3	Turkey	2002	10,308	9236286
Container Ship (Fully Cellular)	Medocean	AvK DSG 99	8	China	2006	15,375	9395020
Container Ship (Fully Cellular)	MMSC Canberra	AvK DSG 86	3	Germany	1995	29,181	9102722
Container Ship (Fully Cellular)	MSC Don Giovanni	AvK DSG 86	3	Germany	1996	29,181	9102746
Container Ship (Fully Cellular)	MSC Mediterranean	AvK DSG 86	3	Germany	1995	29,181	9102710
Container Ship (Fully Cellular)	Orkun Kalkavan	AvK DSG 74	3	Turkey	2002	10,308	9236274
Container Ship (Fully Cellular)	Pacifico	AvK DSG 86	3	Germany	1994	15,908	9074406
Container Ship (Fully Cellular)	Primus	AvK DSG 99	1	Poland	1997	23,898	9124380
Container Ship (Fully Cellular)	Roseline A	AvK DSG 74	1	Germany	1998	11,153	9163984
Container Ship (Fully Cellular)	Sena Ka	AvK DSG 74	1	Turkey	2005	10,308	9318254
Container Ship (Fully Cellular)	Trave Trader	AvK DSG 86	3	Germany	1994	15,910	9080534
Container Ship (Fully Cellular)	Varamo	AvK DSG 99	20	China	2007	15,375	9395044

Cargo Vessels

Purpose	Vessel Name	Alternator Installed	Units	Vessel Built In	Year	Gross Weight (Tonnes)	IMO Number
Container Ship (Fully Cellular)	Xin Nan Sha	AvK DSG 114	3	China	2005	41,482	9310056
Container Ship (Fully Cellular)	Xin Quan Zhou	AvK DSG 114	6	China	2005	41,482	9310032
Container Ship (Fully Cellular)	Xin Zhan Jiang	AvK DSG 114	3	China	2006	41,482	9378814
General Cargo Ship	Deltuva	AvK DSG 74	1	Poland	1994	11,807	8908832
General Cargo Ship	Hijau Muda	AvK DSG 74	1	Germany	1996	7,405	9129457
General Cargo Ship	Kallio	AvK DSG 86	1	China	2006	16,690	9319064
General Cargo Ship	Lysbris Seaways	AvK DSG 86	1	India	1999	7,409	9144263
General Cargo Ship	Mitrope	AvK DSG 74	1	Poland	1999	16,800	9154294
General Cargo Ship	Ocean Challenger	AvK DSG 99	2	Mexico	1994	3,978	9007013
General Cargo Ship	Onego Pioneer	AvK DSG 74	3	China	1999	12,993	9190080
General Cargo Ship	Oslo Wave	AvK DSG 74	3	China	2000	12,993	9190092
General Cargo Ship	Quan Cheng	AvK DSG 74	1	Germany	1995	6,577	9108506
General Cargo Ship	Regal	AvK DSG 74	2	Poland	1995	11,808	8908868
Refrigerated Cargo Ship	Baltic Spring	AvK DIG 130	2	Germany	1991	1,842	8909070
Ro-Ro Cargo Ship	Al Hurreya	AvK DSG 74	2	Egypt	2005	13,569	9266487
Ro-Ro Cargo Ship	Schieborg	AvK DSG 86	2	Germany	2000	21,005	9188233
Ro-Ro Cargo Ship	Slingeborg	AvK DSG 86	2	Germany	2000	21,006	9188245
Ro-Ro Cargo Ship	Somerset	AvK DSG 86	2	Germany	1999	21,005	9188221
Ro-Ro Cargo Ship	Stena Hibernia	AvK DSG 86	3	Japan	1996	13,017	9121637
Ro-Ro Cargo Ship	Stena Scotia	AvK DSG 86	3	Japan	1996	13,017	9121625

Other Vessel Classes

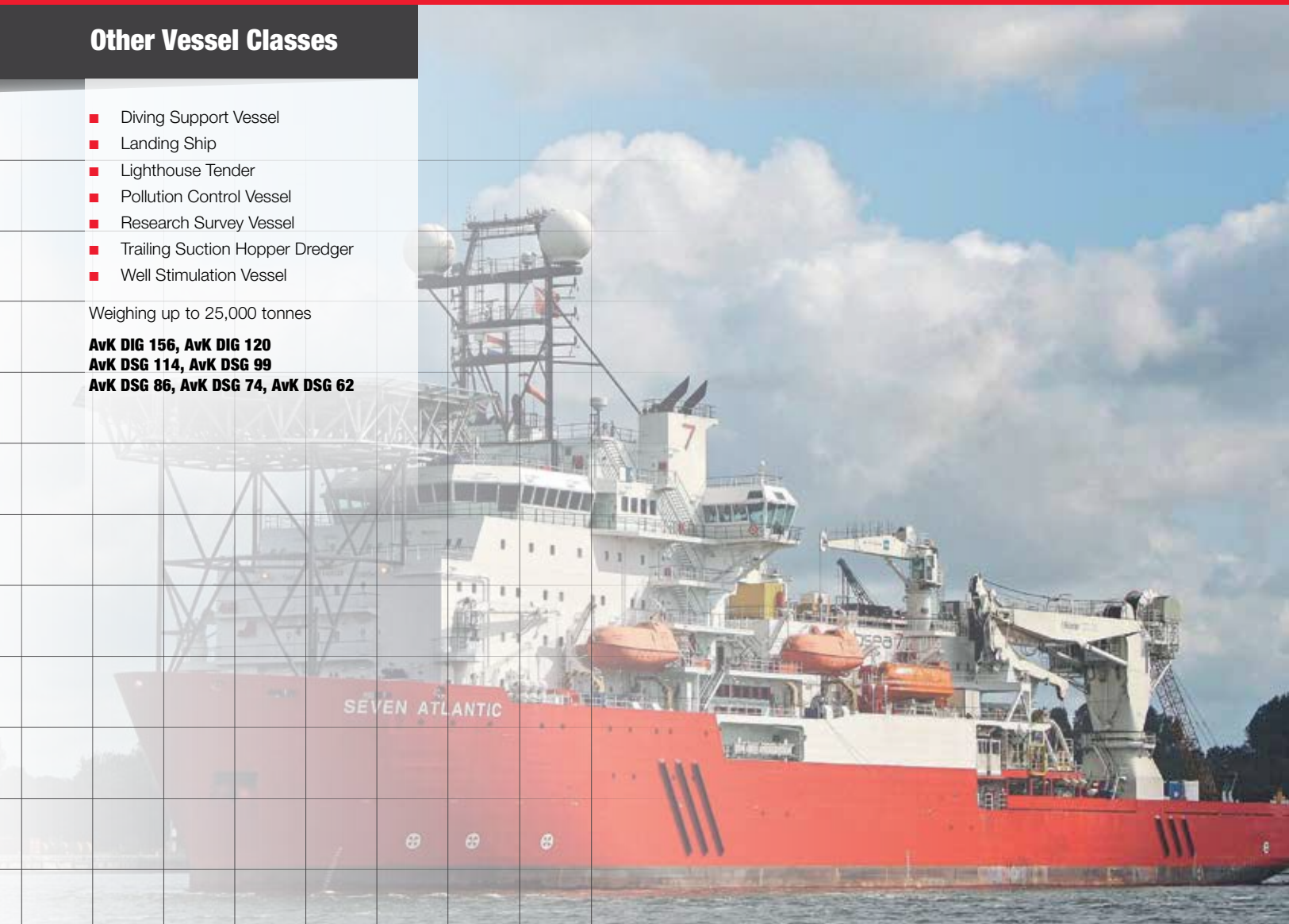
- Diving Support Vessel
- Landing Ship
- Lighthouse Tender
- Pollution Control Vessel
- Research Survey Vessel
- Trailing Suction Hopper Dredger
- Well Stimulation Vessel

Weighing up to 25,000 tonnes

AvK DIG 156, AvK DIG 120

AvK DSG 114, AvK DSG 99

AvK DSG 86, AvK DSG 74, AvK DSG 62



Other Vessel Classes

Purpose	Vessel Name	Alternator Installed	Units	Vessel Built In	Year	Gross Weight (Tonnes)	IMO Number
Diving Support Vessel	Seven Atlantic	AvK DIG 156 AvK DSG 86	6 1	Netherlands	2010	17,496	9419125
Landing Ship (Dock Type)	Cardigan Bay	AvK DIG 156	2	United Kingdom	2006	23,569	9240782
Landing Ship (Dock Type)	Lyme Bay	AvK DIG 156	2	United Kingdom	2007	23,569	9240768
Lighthouse Tender	Lindesnes	AvK DSG 86	4	Norway	2009	86	9570618
Pollution Control Vessel	Kindral Kurvits	AvK DSG 99	2	Latvia	2012	1,053	9588770
Pollution Control Vessel	Ov Skomvaer	AvK DSG 62	1	Latvia	2013	945	9533189
Pollution Control Vessel	Ov Utvaer	AvK DSG 74 AvK DSG 62	2 1	Latvia	2012	907	9628609
Research Supply Vessel	Sanco Sword	AvK DSG 114	4	Poland	2014	8,772	9662100
Research Survey Vessel	Falcon Explorer	AvK DSG 99	2	Poland	1985	3,649	8404551
Research Survey Vessel	Maria S. Merian	AvK DSG 86	1	Poland	2006	5,573	9274197
Research Survey Vessel	Oceanic Sirius	AvK DSG 114 AvK DSG 99	2 2	Poland	2011	12,550	9459565
Research Survey Vessel	Oceanic Vega	AvK DSG 114 AvK DSG 99	8 2	Poland	2010	12,550	9459553
Research Survey Vessel	Polar Marquis	AvK DSG 114	2	Norway	2000	13,339	9190298
Research Survey Vessel	Polarcus Adira	AvK DSG 114 AvK DSG 99	2 4	Ukraine	2012	7,709	9610183
Research Survey Vessel	Polarcus Alima	AvK DSG 99	2	United Arab Emirates	2011	7,894	9538139
Research Survey Vessel	Polarcus Amani	AvK DSG 114 AvK DSG 99	2 4	Ukraine	2012	7,709	9610171
Research Survey Vessel	Polarcus Asima	AvK DSG 114 AvK DSG 99	1 5	United Arab Emirates	2010	7,894	9538127
Research Survey Vessel	Sanco Swift	AvK DSG 114 AvK DSG 62	4 1	Poland	2013	8,772	9630494
Research Survey Vessel	Veritas Viking	AvK DSG 114	2	Norway	1998	7,886	9173599
Research Survey Vessel	Western Neptune	AvK DSG 74	2	Norway	1999	8,369	9187514
Research Survey Vessel	Western Spirit	AvK DIG 120	1	Norway	1993	4,447	9050450
Research Survey Vessel	Western Trident	AvK DSG 74	2	Norway	1999	8,369	9187502
Trailing Suction Hopper Dredger	Moustakbal	AvK DSG 86	1	Netherlands	1999	1,891	9187069
Trailing Suction Hopper Dredger	Volvox Olympia	AvK DSG 62	1	Netherlands	2003	4,967	9268370
Trailing Suction Hopper Dredger	Volvox Terranova	AvK DSG 114	1	Netherlands	1999	19,994	9164110
Well Stimulation Vessel	Norshore Atlantic	AvK DSG 114	6	Indonesia	2014	8,842	9545675
Well Stimulation Vessel	Siri Knutsen	AvK DSG 86	1	Spain	2004	24,916	9247168

Marine Classifications

STAMFORD and **AvK** alternators meet the classification requirements of all major marine societies, including:

- American Bureau of Shipping (ABS)
- Bureau Veritas (BV)
- China Corporation Register of Shipping (CCRS)
- China Classification Society (CCS)
- Det Norske Veritas Germanischer Lloyd (DNV GL)
- Indian Register of Shipping (IRS)
- Korean Register of Shipping (KRS)
- Lloyds Register of Shipping (LRS)
- Nippon Kaiji Kyokai (NK)
- Registro Italiano Navale (RINA)
- Russian River Register (RRR)
- Russian Maritime Register of Shipping (RMRS)
- Turkish Loydu (TL)



Technical Support

Cummins Generator Technologies' customer engineers are available to provide technical information to assist in selecting the correct alternator specifications that your job demands. We continue our support through commissioning and into after-sales service and support.

Our engineers are experienced professionals trained in electrical, electronic and mechanical skills. They in turn are supported by a worldwide spares and service network.

- 24 hour response to service emergencies - 7 days a week
- Commissioning of generators on site
- Onsite bearing maintenance and bearing condition monitoring
- Onsite insulation integrity checks
- AVR and accessories set up on site
- Trained engineers available locally, speaking local language
- Extensive aftermarket distribution for
- **STAMFORD** and **AvK** genuine marine parts

For applications engineering support contact:
applications@cummins.com

For customer service contact:
service-engineers@cumminsgeneratortechnologies.com
+44 1780 484732

For genuine aftermarket parts visit:
www.stamford-avk.com/genuineparts



Follow us @stamfordavk



Cummins Generator Technologies



View our videos at youtube.com/stamfordavk

news.stamford-avk.com

For Applications Support:
applications@cummins.com

For Customer Service:
service-engineers@cumminsgeneratortechnologies.com

For general enquiries:
info@cumminsgeneratortechnologies.com

Copyright 2015, Cummins Generator Technologies Ltd. All rights reserved.
Cummins and the Cummins logo are registered trade marks of Cummins Inc.
STAMFORD and AvK are registered trade marks of Cummins Generator Technologies Ltd.

Part No. PG_MPG_P_EN_GS_Rev.01