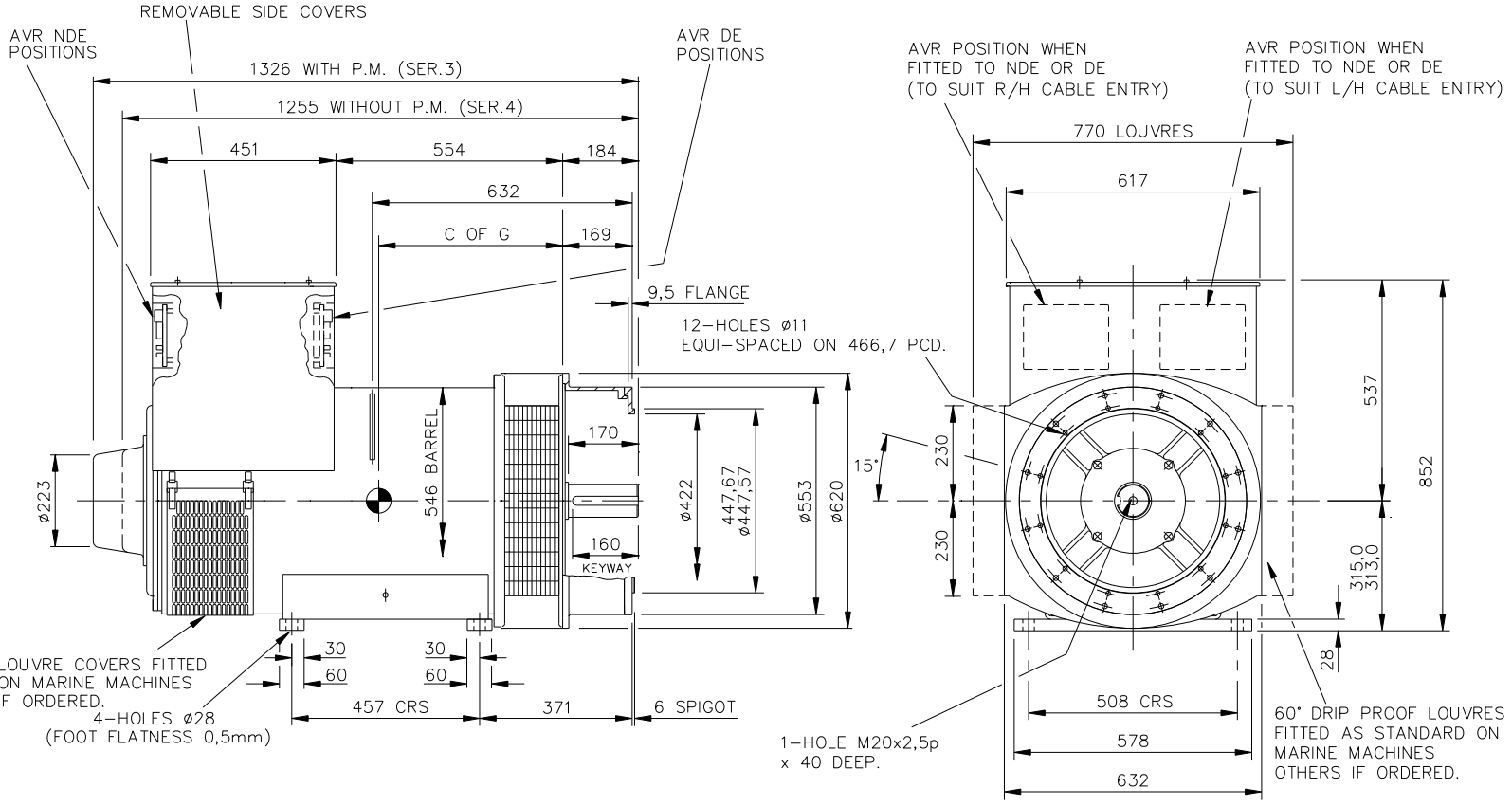
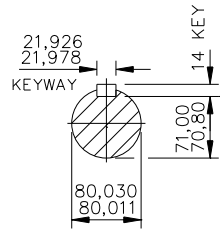


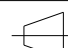


REL NO	REV	DETAILS	DWN	CKD	APVD	DATE
ECO-130105	H	AVR VIEWS & NOTES UPDATED	NNG	APM	SMH	15NOV12

CORE	C OF G
C	433
D	453
E	474



NOTE: -  
CUSTOMER MAY CUT CABLE ENTRY HOLES AS REQUIRED IN ANY OF THE FOUR TERMINAL BOX SIDES, SUBJECT TO POSITION OF AVR, TERMINALS, ETC.

UNLESS SPECIFIED ALL DIMENSIONS ARE IN MILLIMETERS				<b>CUMMINS GENERATOR TECHNOLOGIES</b>				
<b>DO NOT SCALE PRINT</b>	DRAWN	SMC		DRAWING, GENERAL ASSEMBLY				
 	CHECKED	SMC		HC4 CDE 2-BRG GA				
<b>CONFIDENTIAL</b>	APPROVED	CR	SITE CODE	STA	DWG SIZE	SHEET		
	DATE	06JUL00					41-4507	1
	PROPERTY OF CUMMINS	SCALE						
GENERATOR TECHNOLOGIES	1:10	H						