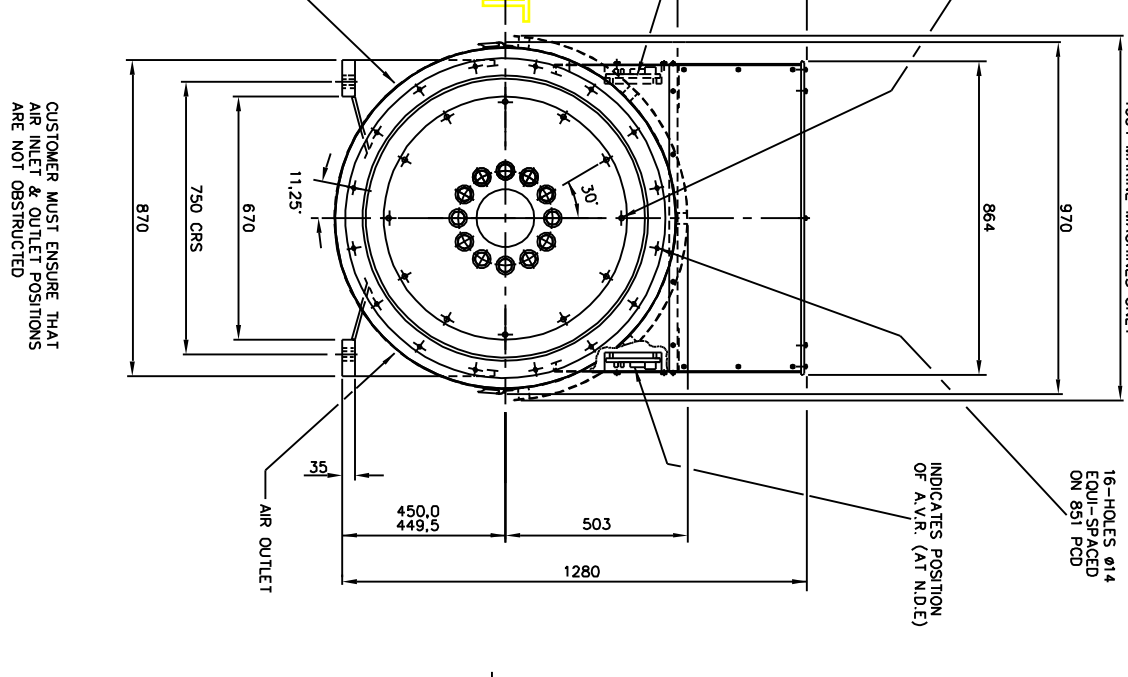


CORE	C OF G	WEIGHT (KG)
A (4p)	710	2760
B (4p)	710	2760
C (4p)	750	3018
B (6p)	710	2680



CUSTOMER MUST ENSURE THAT AIR INLET & OUTLET POSITIONS ARE NOT OBSTRUCTED

MOD.	ISSUE	DRAWN	DATE	ALTERATION	CHECKED	DATE	APPROVED	SCALE	SHEET	OF	SHEETS
4-9430-01	C	DFC	31.01.08	INCORRECT ADAPTOR DIMENSION Ø711 DELETED				1:10	1	1	1
4-8664-02	B	USD	14.09.06	CHANGE OF COMPANY NAME				1:10	1	1	1
4/7752/01	A	DW	14.03.05	ORIGINAL ISSUE				1:10	1	1	1

CERTIFIED PRINT
 ONLY IF SIGNED
 BY
 DATE
 DRAWN DW 14.03.05
 CHECKED DFC 31.01.08
 APPROVED SFA 31.01.08
 P7 A/B/C (4p) & B (6p) 1-BRG ALTERNATOR
 ADAPTOR - SAE No 00
 COUPLING - SAE No 21
 STD T/BOX - STD FEET
 CUMMINS GENERATOR
 TECHNOLOGIES LTD.
 UNIT OF MEASUREMENT MILLIMETRES (mm)
 70-1004
 SHEET 1 OF 1