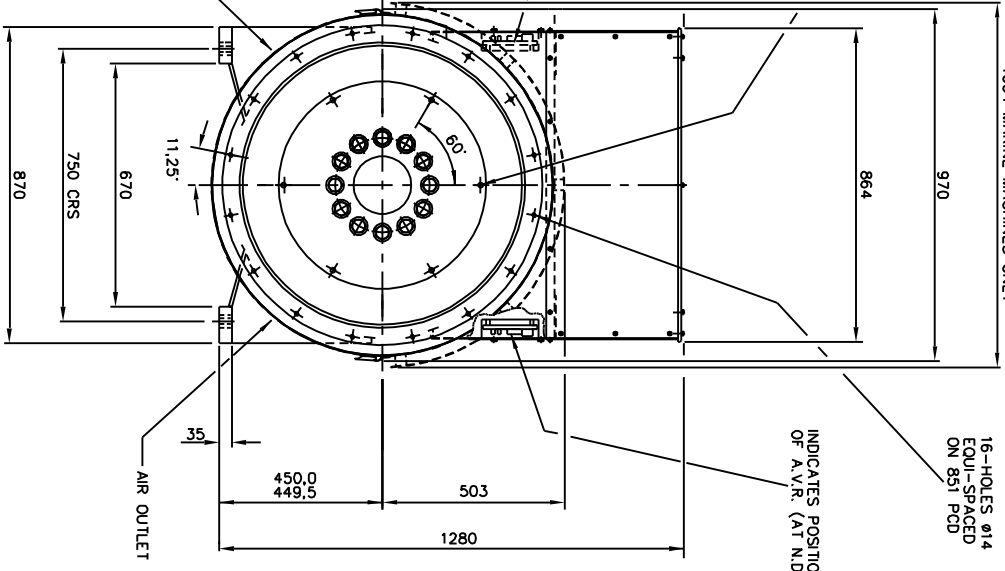


CORE	C OF G	WEIGHT (KG)
A (4p)	710	2760
B (4p)	710	2760
C (4p)	750	3018
B (6p)	710	2680



CERTIFIED PRINT
 ONLY IF SIGNED
 BY
 DATE
 DRAWN
 CHECKED
 APPROVED

SCALE FIRST W.O.
 1:10
 UNIT OF MEASUREMENT MILLIMETRES (mm)
 SHEET 1 OF 1 SHEETS

P7 A/B/C (4p) & B (6p) 1-BRG ALTERNATOR ADAPTOR - SAE No 00 COUPLING - SAE No 18 STD T/BOX - STD FEET
 CUSTOMER MUST ENSURE THAT AIR INLET & OUTLET POSITIONS ARE NOT OBSTRUCTED

CUMMINS GENERATOR TECHNOLOGIES LTD.

NOTE:-
 CUSTOMER MAY CUT CABLE ENTRY HOLES AS REQUIRED IN ANY OF THE FOUR TERMINAL BOX SIDES SUBJECT TO POSITION OF AVR, TERMINALS, ETC.

MOD.	ISSUE	DRAWN	DATE	ALTERATION
4-9430-01	C	DFC	31.01.08	INCORRECT ADAPTOR DIMENSION Ø711 DELETED
4-8664-02	B	USD	14.09.06	CHANGE OF COMPANY NAME
4/7752/01	A	DW	14.03.05	ORIGINAL ISSUE