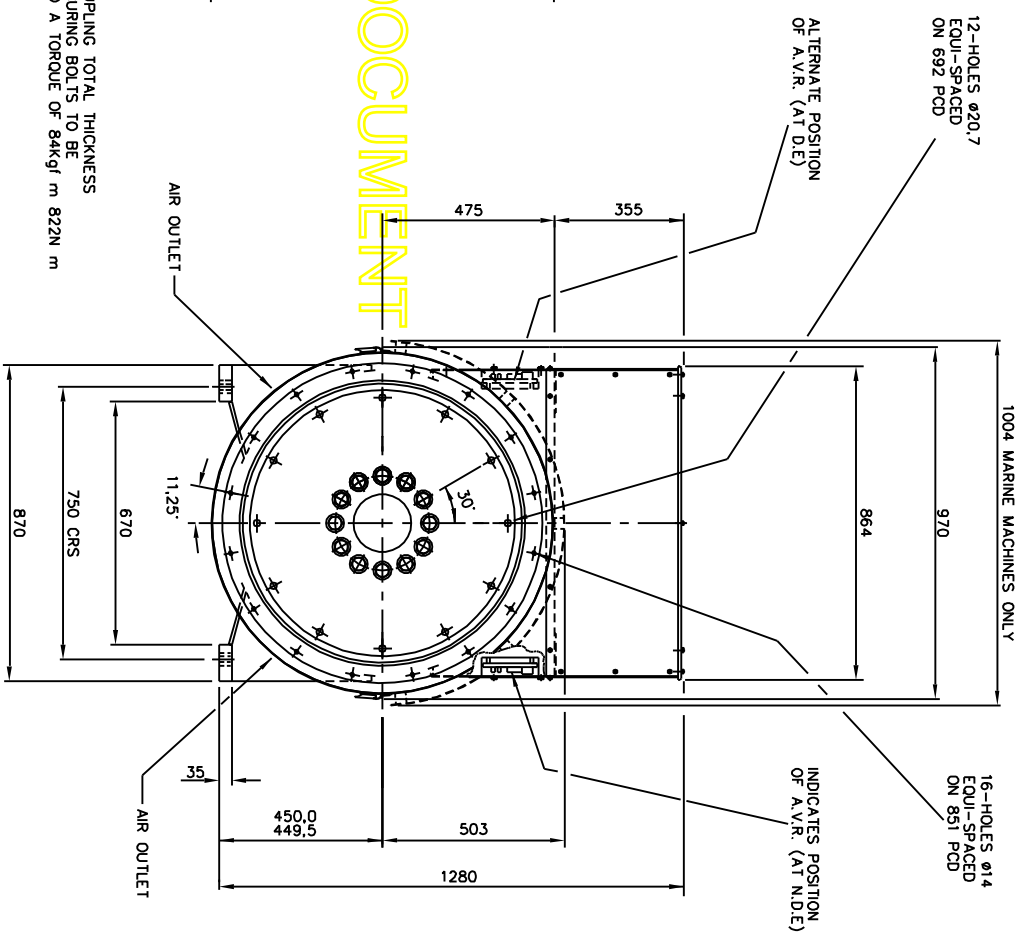


CORE	C OF G	WEIGHT (KG)
A (4p)	710	2760
B (4p)	710	2760
C (4p)	750	3018
B (6p)	710	2680



CUSTOMER MUST ENSURE THAT AIR INLET & OUTLET POSITIONS ARE NOT OBSTRUCTED

CERTIFIED PRINT	ONLY IF SIGNED
BY	
DATE	
DRAWN	DW 14.03.05
CHECKED	DFC 31.01.08
APPROVED	SFA 31.01.08

P7 A/B/C (4p) & B (6p) 1-BRG ALTERNATOR
 ADAPTOR - SAE No 00
 COUPLING - SAE No 24
 STD T/BOX - STD FEET
 CUMMINS GENERATOR TECHNOLOGIES LTD.

SCALE 1:10
 UNIT OF MEASUREMENT MILLIMETRES (mm)

SHEET 1 OF 1 SHEETS

ISSUE C

70-1016

ALTERATION

INCORRECT ADAPTOR DIMENSION Ø711 DELETED
 CHANGE OF COMPANY NAME
 ORIGINAL ISSUE

31.01.08
 14.09.06
 14.03.05

DFC
 USD
 A

4-9430-01
 4-8664-02
 4/7752/01
 MOD.