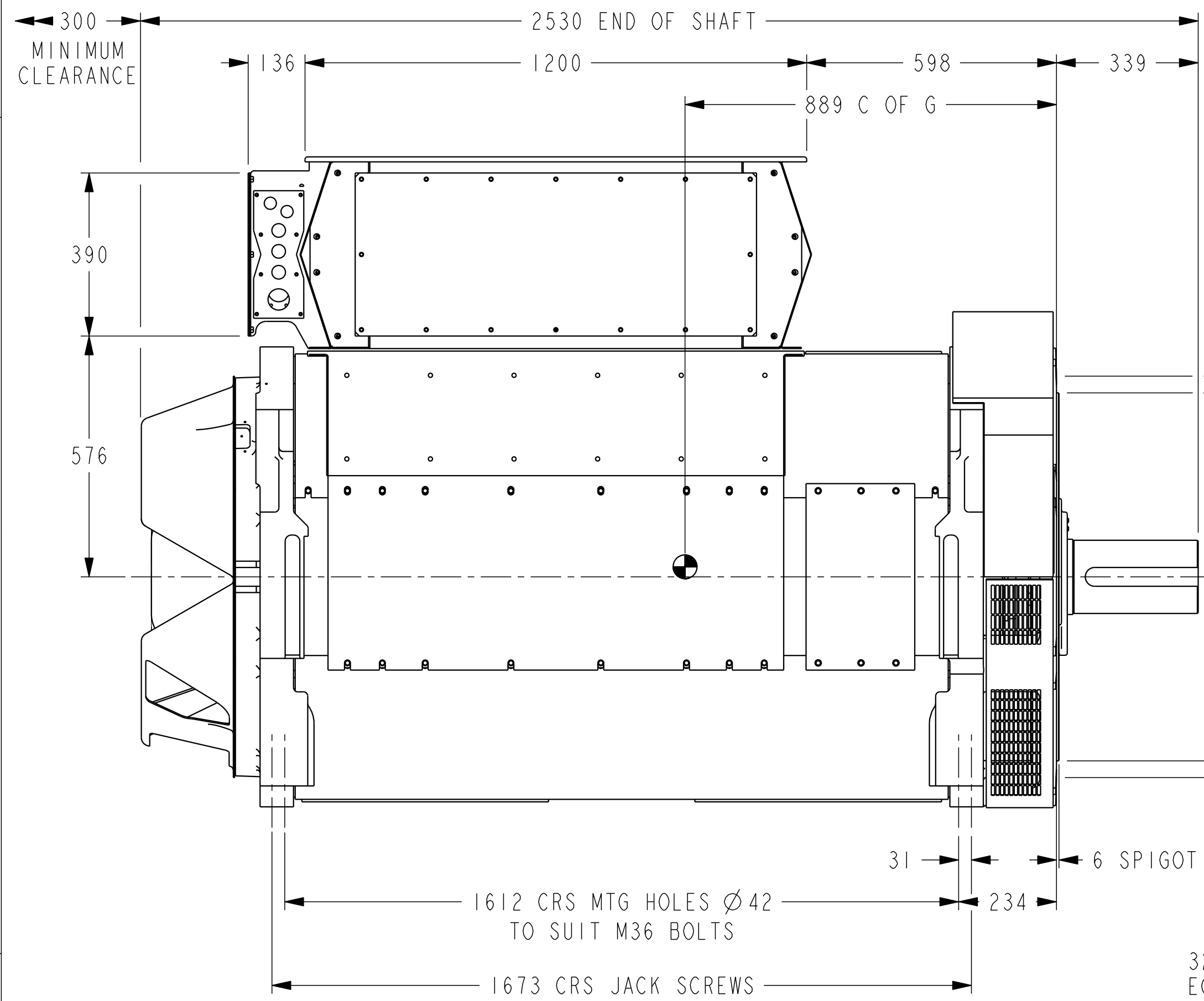
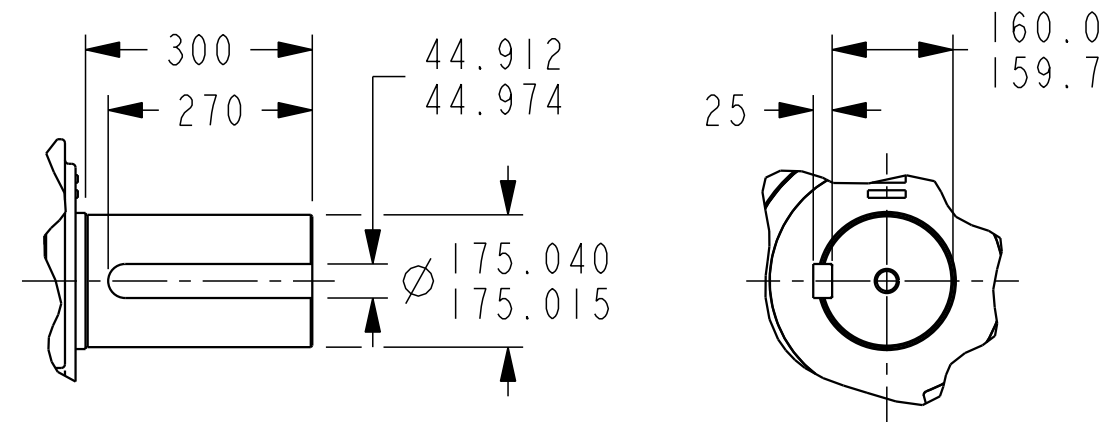
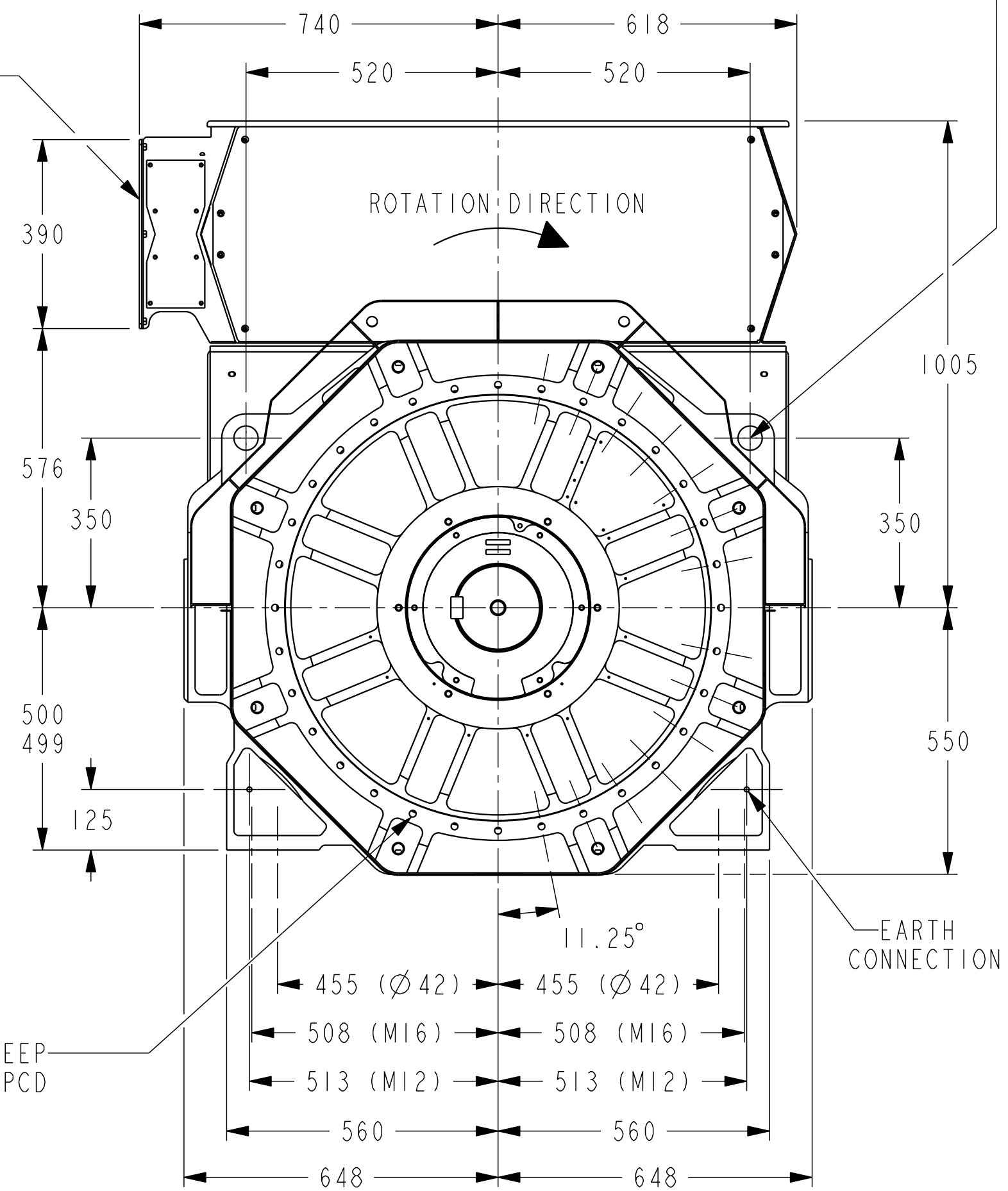


REL NO	REV	NO	REVISION	DWN	CKD	APVD	DATE
ECO-169008	B	1	DRAWING BORDER AND DIMENSIONING SCHEME UPDATED	AS	AS	D.LEE	28MAR17



5MM THK ALUMINIUM GLAND PLATE

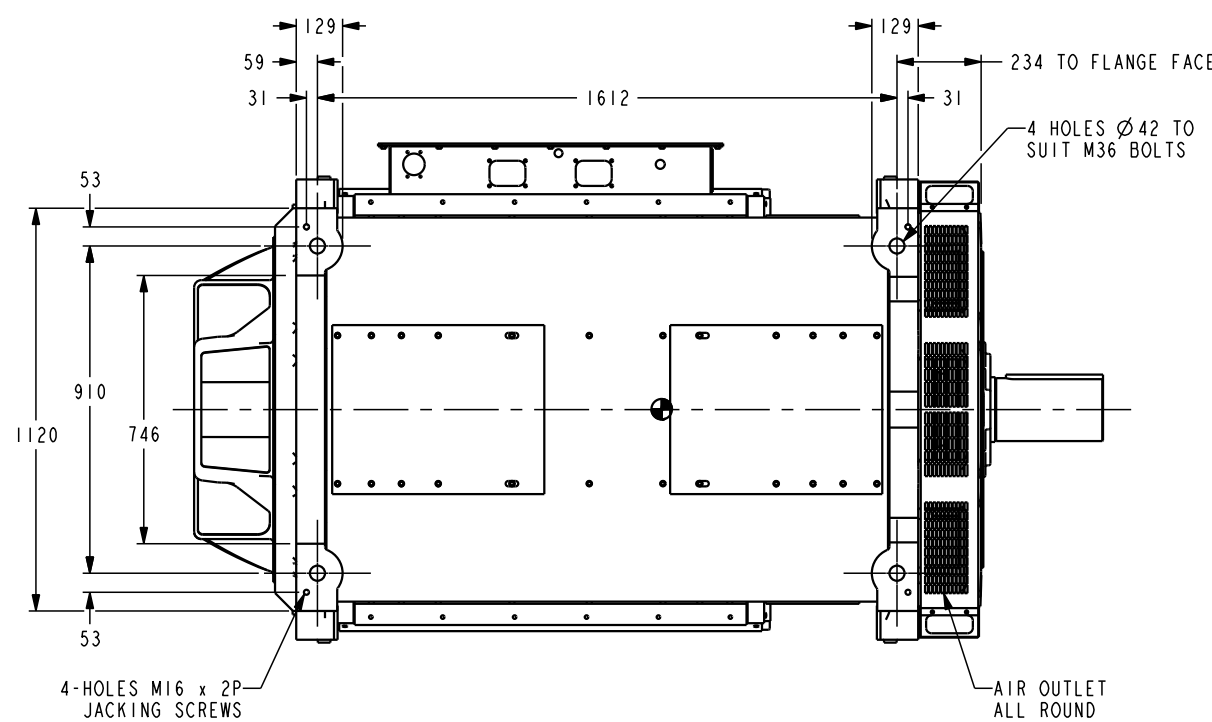
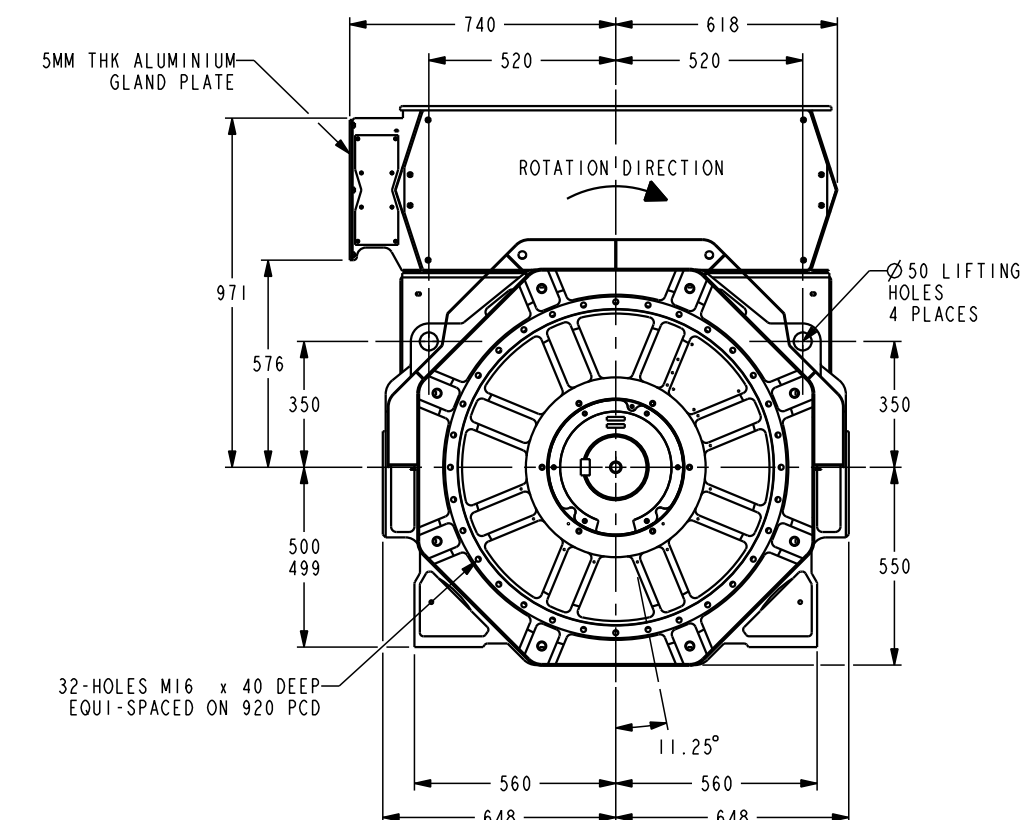
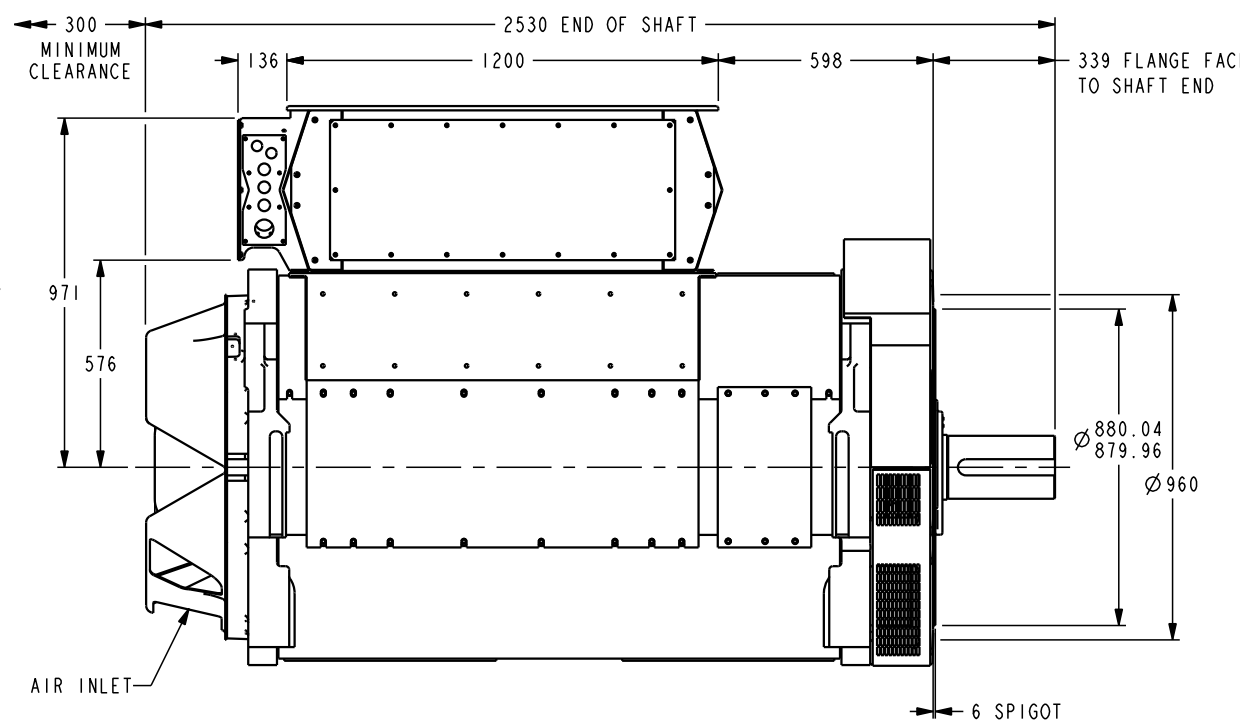
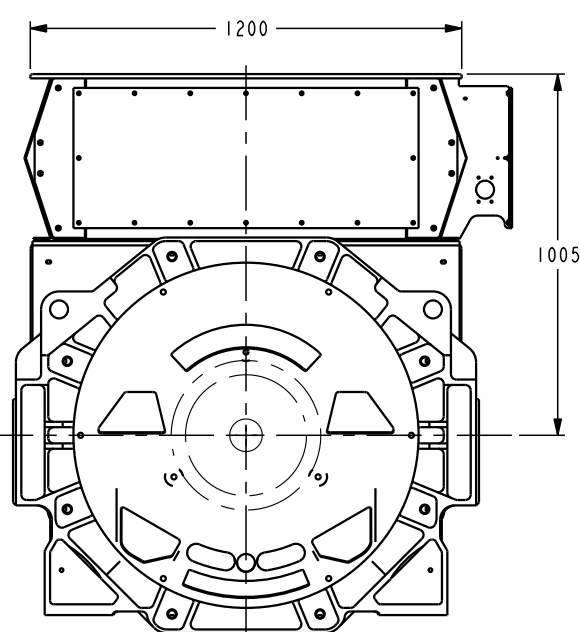
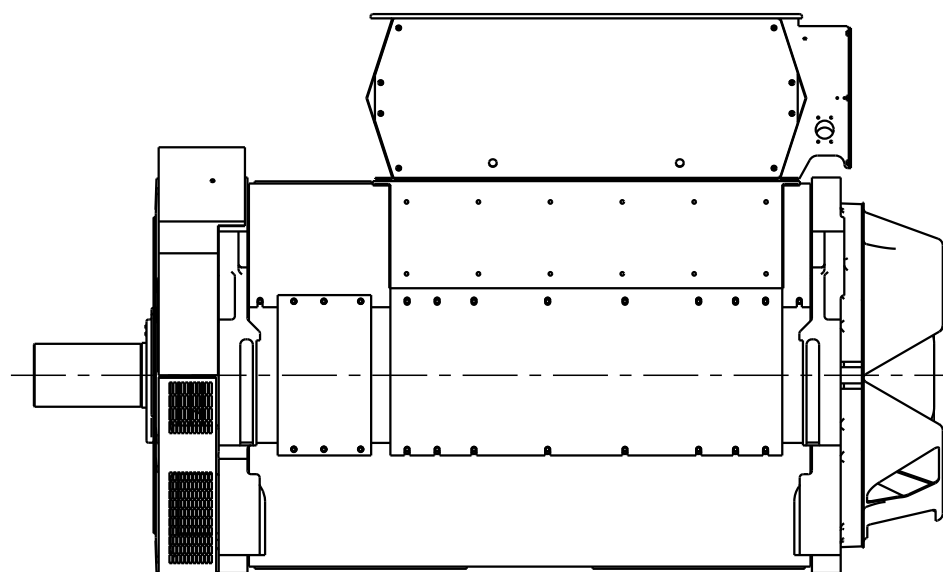
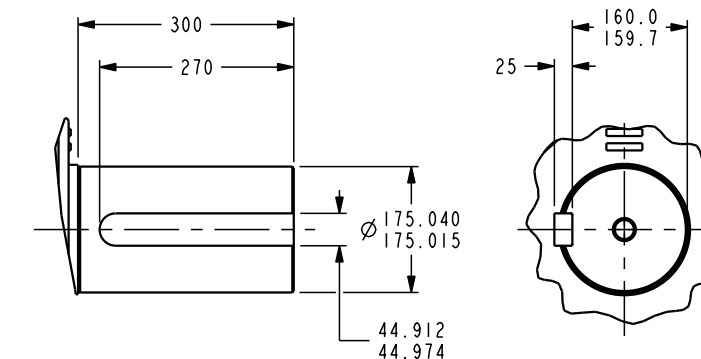
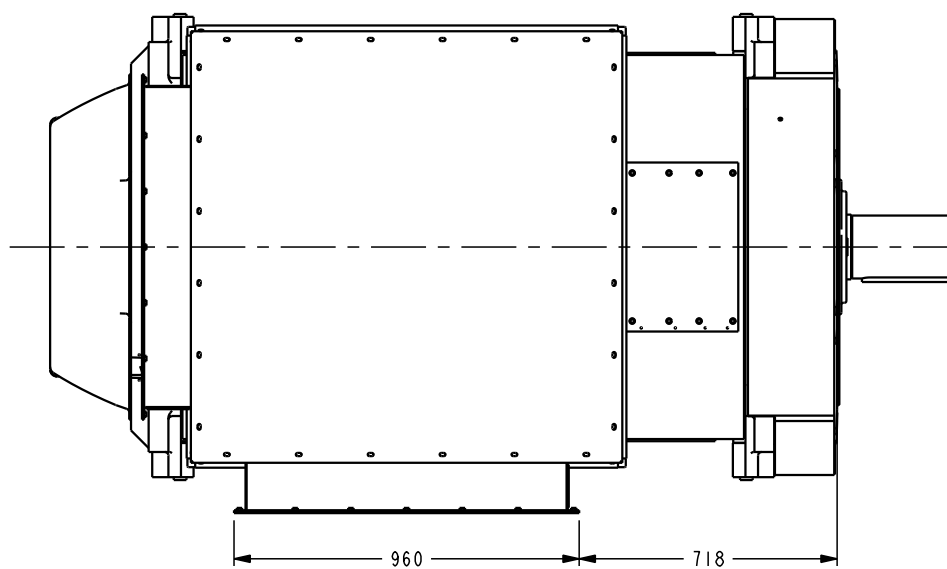


32-HOLES M16 x 40 DEEP
EQUI-SPACED ON 920 PCD

NOMINAL WEIGHT BASED ON CAD MODEL 7864KG; NOT FOR INSPECTION

UNLESS OTHERWISE SPECIFIED, ALL DIMENSIONS ARE IN MILLIMETERS	SIM TO	DWN A. SHAWYER		CUMMINS GENERATOR TECHNOLOGIES	
	DO NOT SCALE PRINT	CKD J. SAUNDERS		DRAWING, GENERAL ASSEMBLY	
SCALE 1:10		APVD R. MACMENEMEY	SITE CODE	P80 HV W CORE / INTEGRATED FOOT	
THIS DOCUMENT (AND THE INFORMATION SHOWN THEREON) IS CONFIDENTIAL AND PROPRIETARY AND SHALL NOT BE DISCLOSED TO OTHERS IN HARD COPY OR ELECTRONIC FORM, REPRODUCED BY ANY MEANS, OR USED FOR ANY PURPOSE WITHOUT WRITTEN CONSENT OF CUMMINS INC.	DATE 19MAR08	FIRST USED ON	STA	DWG SIZE A2	80-2469
	FOR INTERPRETATION OF DIMENSIONING AND TOLERANCING, SEE ASME Y14.5-2009				CAD SHEET 1 OF 2

REV. NO.	REV. DATE	DESCRIPTION	APP'D.	DATE
ECO-169008	B	DRAWING BORDER AND DIMENSIONING SCHEME UPDATED	AS	AS
			D. LEE	28MAR17



NOMINAL WEIGHT BASED ON CAD MODEL 7864KG; NOT FOR INSPECTION

UNLESS OTHERWISE SPECIFIED, ALL DIMENSIONS ARE IN MILLIMETERS	DO NOT SCALE PRINT	SCALE 1:10	DATE 13MAR08	APP'D. R. MACNEMEMY	SITE CODE	STA	80-2469	CUMMINS GENERATOR TECHNOLOGIES	DRAWING, GENERAL ASSEMBLY	P80 HV W CORE / INTEGRATED FOOT	CAD SHEET 2 of 2
---	--------------------	------------	--------------	---------------------	-----------	-----	---------	--------------------------------	---------------------------	---------------------------------	------------------