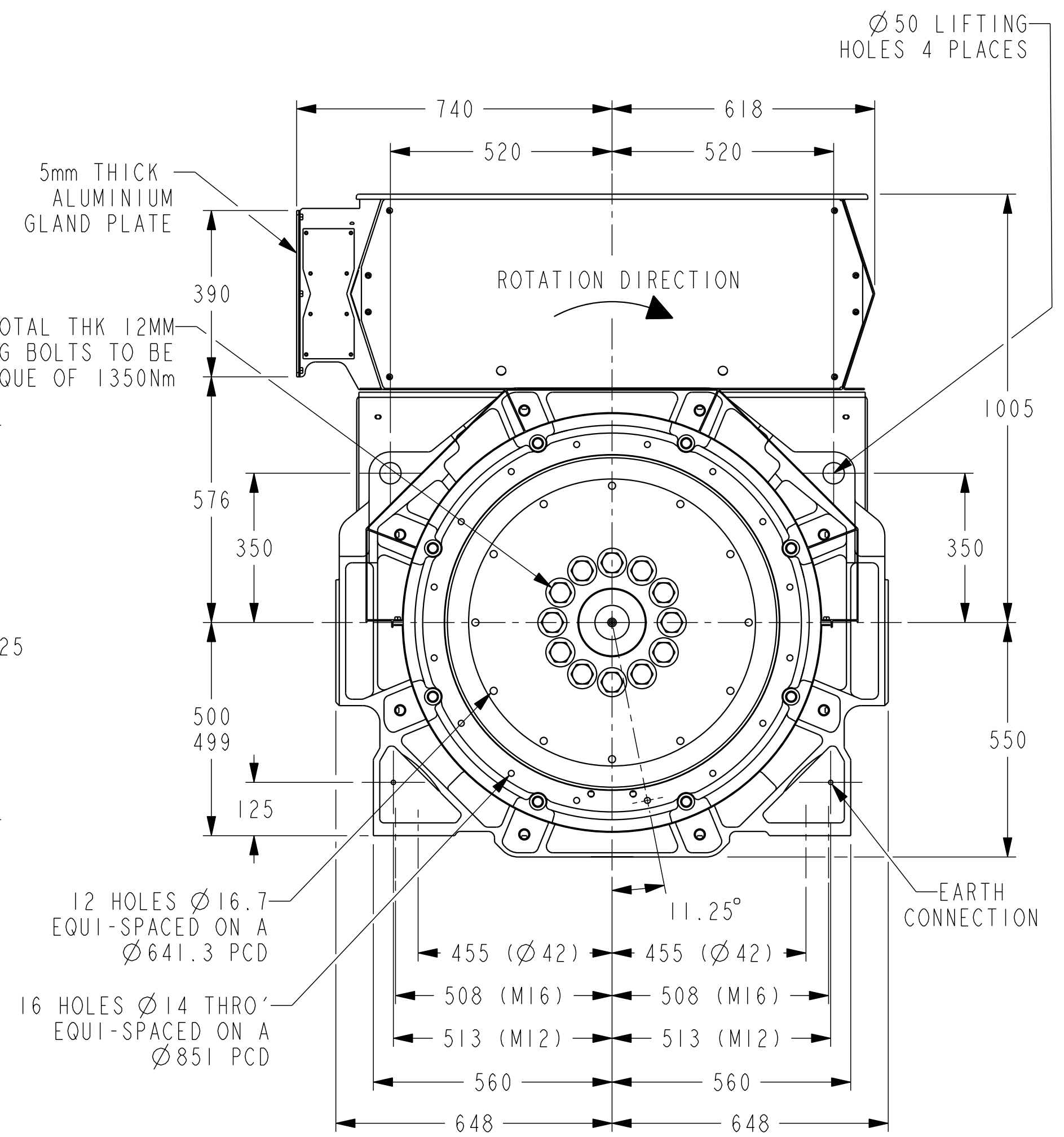
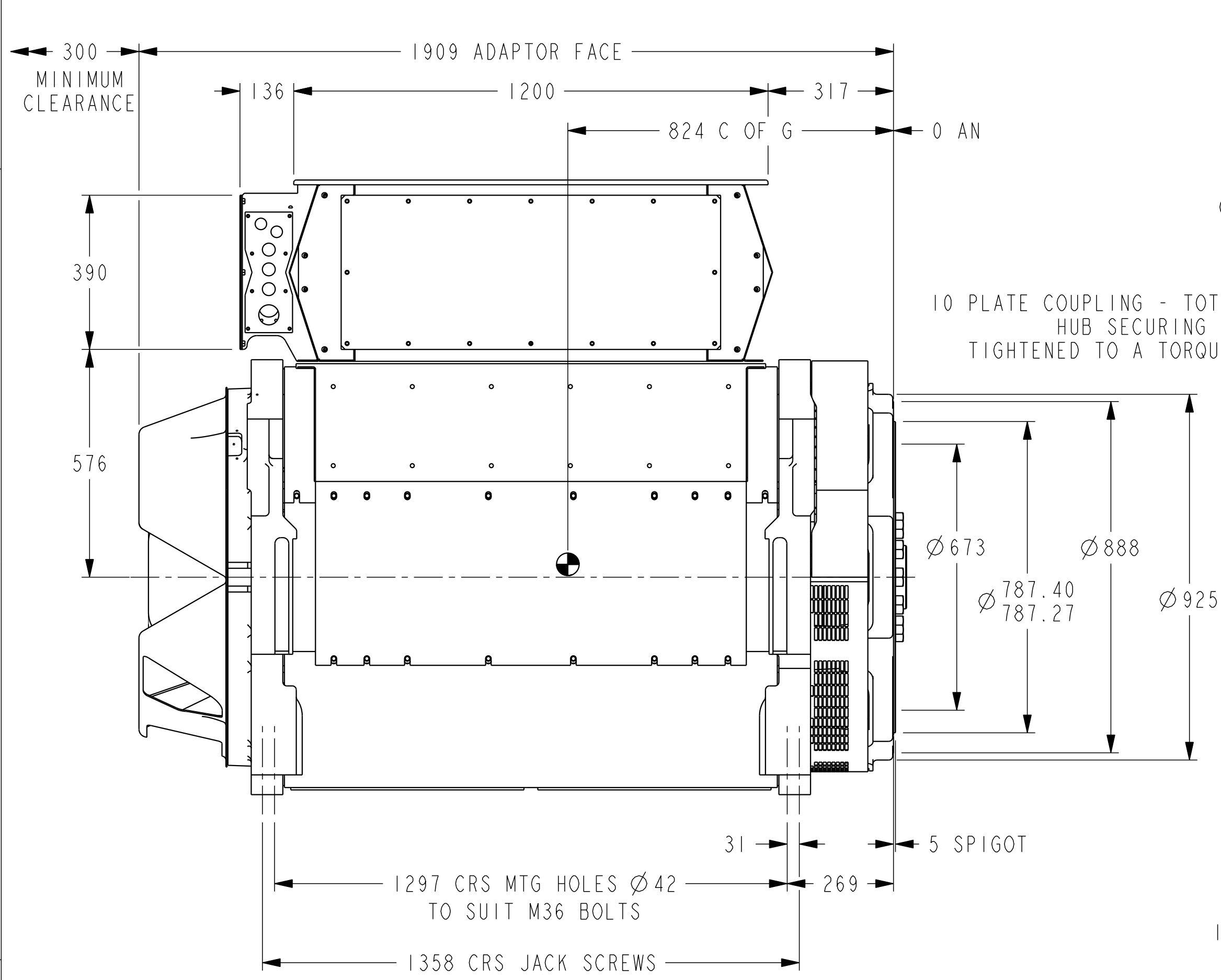


REL NO	REV	NO	REVISION	DWN	CKD	APVD	DATE
ECO-169286	B	1	DRAWING BORDER AND DIMENSIONING SCHEME UPDATED	AS	AS	T.CLARKE	11APR17

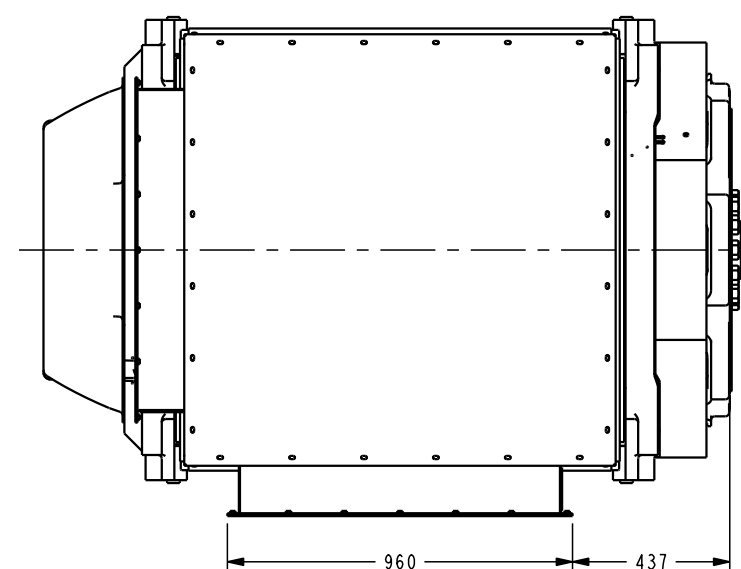


NOMINAL WEIGHT BASED ON CAD MODEL 5386KG; NOT FOR INSPECTION

UNLESS OTHERWISE SPECIFIED, ALL DIMENSIONS ARE IN MILLIMETERS	SIM TO	DWN A. SHAWYER		CUMMINS GENERATOR TECHNOLOGIES	
	DO NOT SCALE PRINT	CKD MHP		DRAWING, GENERAL ASSEMBLY	
SCALE 1:10		APVD R. MACMENENEY	SITE CODE	P80 HV R CORE / INTEGRATED FOOT / SAE00/21	
THIS DOCUMENT (AND THE INFORMATION SHOWN THEREON) IS CONFIDENTIAL AND PROPRIETARY AND SHALL NOT BE DISCLOSED TO OTHERS IN HARD COPY OR ELECTRONIC FORM, REPRODUCED BY ANY MEANS, OR USED FOR ANY PURPOSE WITHOUT WRITTEN CONSENT OF CUMMINS INC.	FOR INTERPRETATION OF DIMENSIONING AND TOLERANCING, SEE ASME Y14.5-2009	DATE 29AUG08		STW	DWG SIZE A2
		FIRST USED ON			CAD SHEET 1 of 2

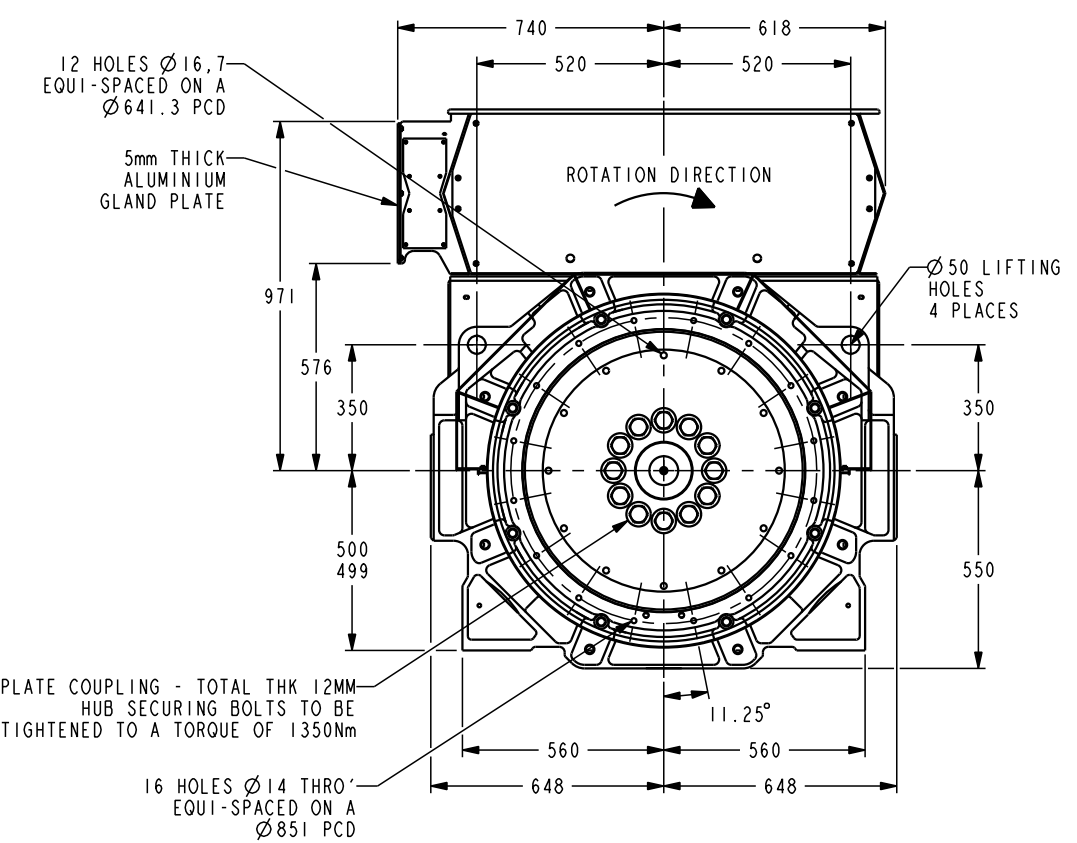
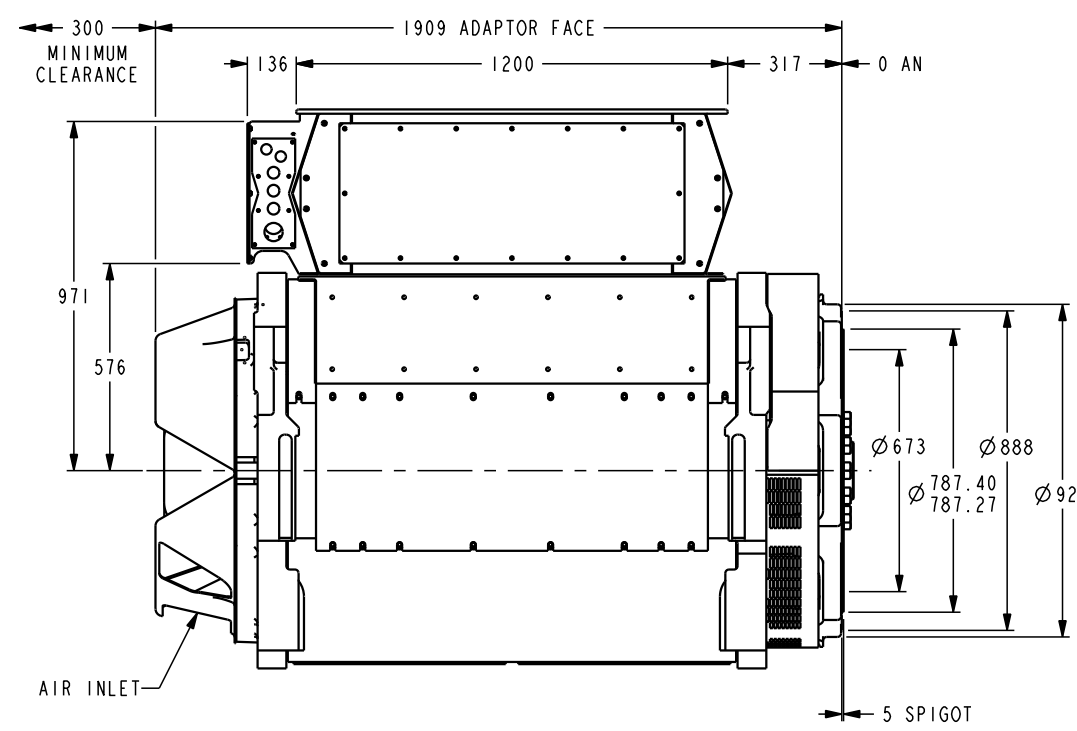
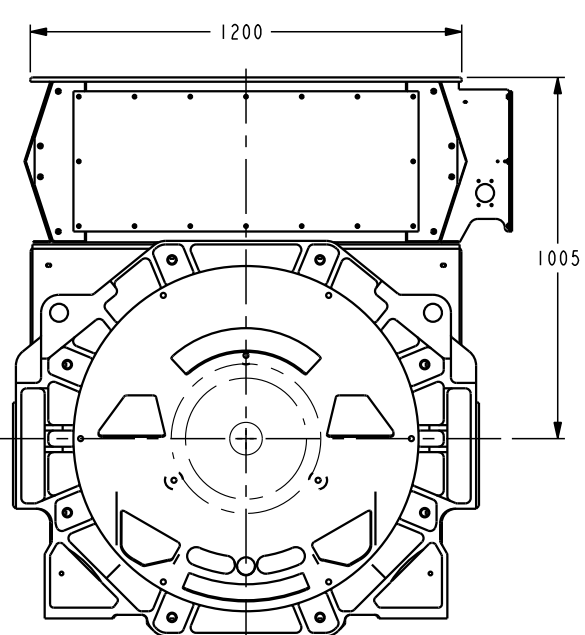
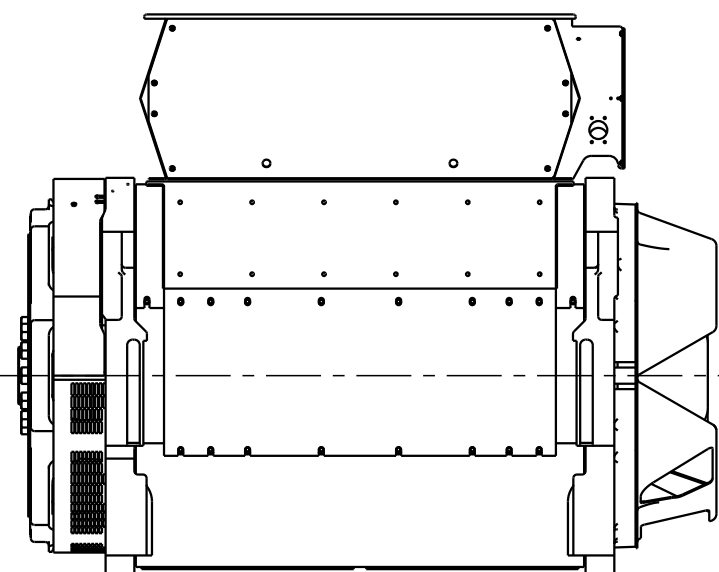
D

D



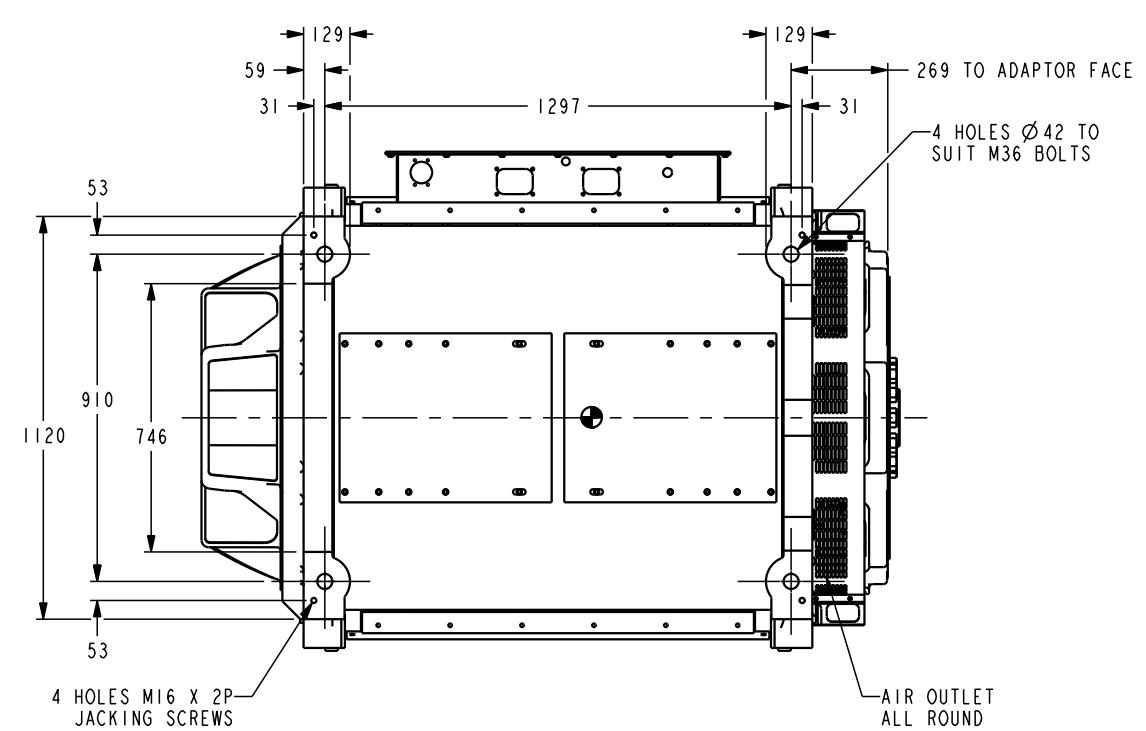
C

C



B

B



A

A

NOMINAL WEIGHT BASED ON CAD MODEL 5386KG; NOT FOR INSPECTION

UNLESS OTHERWISE SPECIFIED, ALL DIMENSIONS ARE IN MILLIMETERS	SCALE 1:10	DO NOT SCALE PRINT	DESIGNED BY: A. SHAWYER	CAD: MEIP	APPD: R. MACMENEY	DATE: 29AUG08	SITE CODE: STM	DESIGN CODE: AO	80-2480	CUMMINS GENERATOR TECHNOLOGIES	DRAWING, GENERAL ASSEMBLY	P80 HV R CORE / INTEGRATED FOOT / SAC00/21	CAD SHEET 2 OF 2
---	------------	--------------------	-------------------------	-----------	-------------------	---------------	----------------	-----------------	---------	--------------------------------	---------------------------	--	------------------