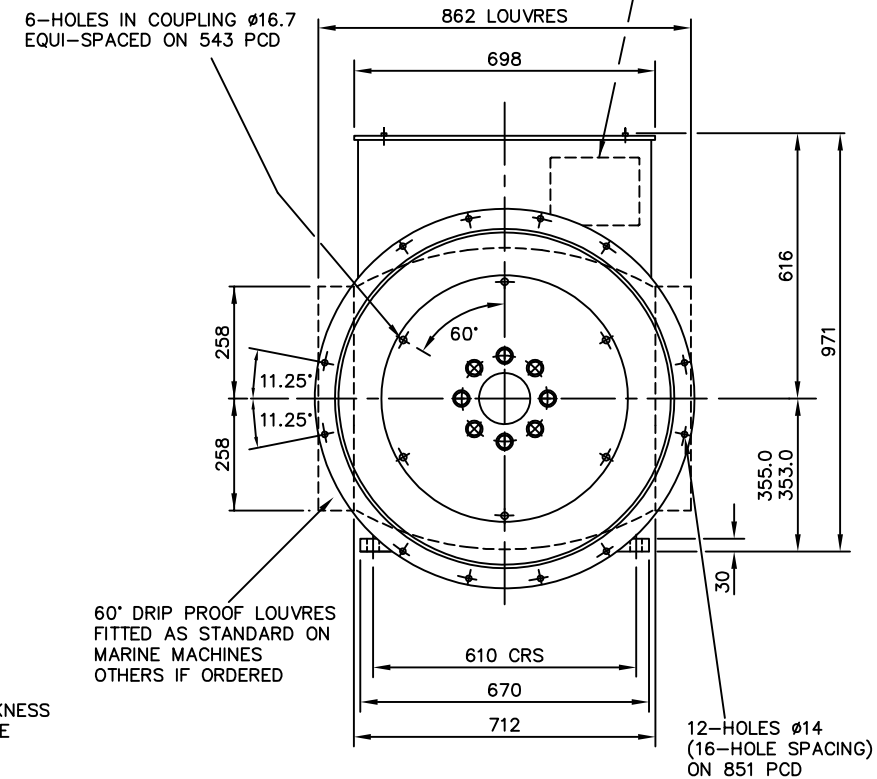
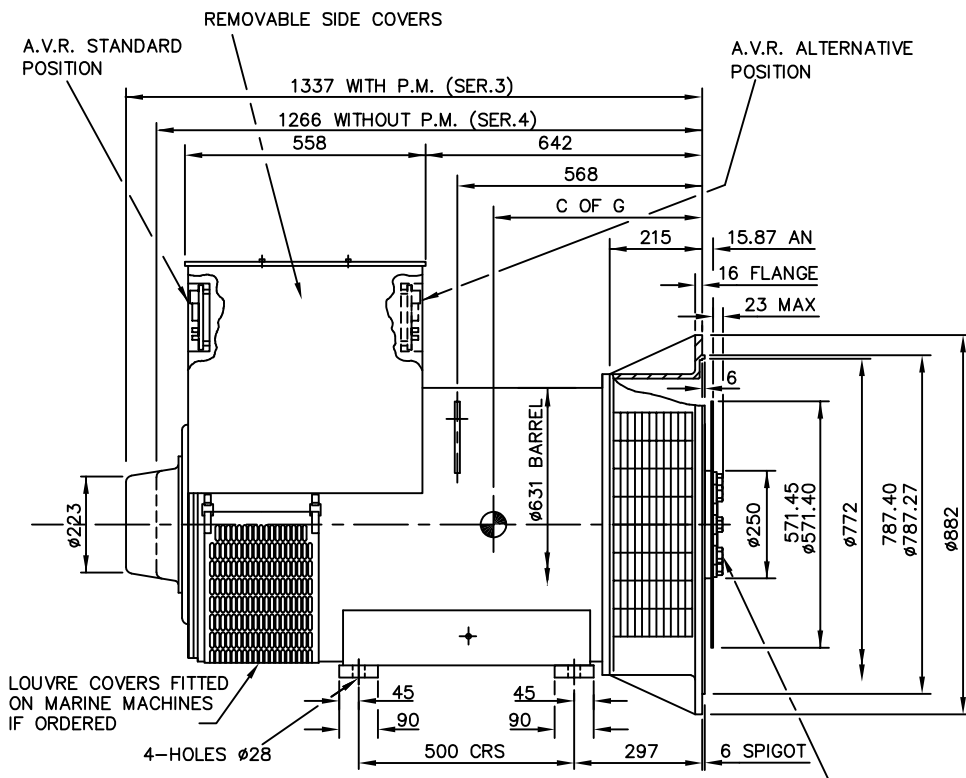


CORE	C OF G
C	555
D	575
E	595

REL NO	REV	NO	DETAILS	DWN	CKD	APVD	DATE
ECO-184160	E	1	TITLE BLOCK, ADDITIONAL DESCRIPTION, ADD S5	TVK	DGL	K.WEJRZANOWSKI	26FEB19
		2	ZONE C4, ADD DIM 558	TVK	DGL	K.WEJRZANOWSKI	26FEB19

NOTE: -

- CUSTOMER MAY CUT CABLE ENTRY HOLES AS REQUIRED IN ANY OF THE FOUR TERMINAL BOX SIDES SUBJECT TO POSITION OF AVR, TERMINALS, ETC.



4-PLATE COUPLING TOTAL THICKNESS
 4.8. HUB SECURING BOLTS TO BE
 TIGHTENED TO A TORQUE OF
 48Kgf m 479N m.

UNLESS OTHERWISE SPECIFIED, ALL DIMENSIONS ARE IN MILLIMETERS	SIM TO -	DRAWN S.MCLEAN		CUMMINS GENERATOR TECHNOLOGIES		
	DO NOT SCALE PRINT	CHECKED S.MCLEAN		DRAWING, GENERAL ASSEMBLY		
SCALE 1:10		APPROVED C.RAWLINGS	SITE CODE	HC5/S5 CDE 1-BRG SAE00/18 STANDARD T/BOX		
THIS DOCUMENT (AND THE INFORMATION SHOWN THEREON) IS CONFIDENTIAL AND PROPRIETARY AND SHALL NOT BE DISCLOSED TO OTHERS IN HARD COPY OR ELECTRONIC FORM, REPRODUCED BY ANY MEANS, OR USED FOR ANY PURPOSE WITHOUT WRITTEN CONSENT OF CUMMINS INC.	FOR INTERPRETATION OF DIMENSIONING AND TOLERANCING, SEE ASME Y14.5-2009	FIRST USED ON HC5	STA	DWG SIZE A4	52-4634	CAD SHEET 1 of 1