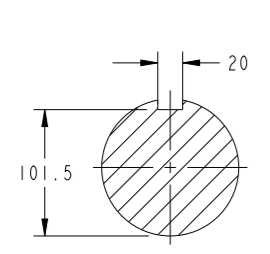
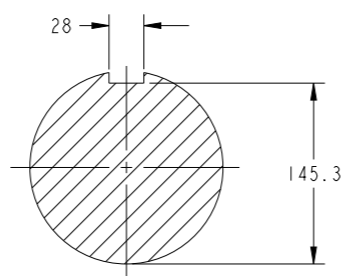


REL NO	REV	NO	REVISION	DWN	CKD	APVD	DATE
ECO-170162	B	1	ZONE D2, DIM 211.8 WAS 207	KP	SK	I.SAUNDATTI	12 JUN 17
		2	ZONE C2, DIM 58.2 WAS 53.2	KP	SK	I.SAUNDATTI	12 JUN 17
		3	ZONE B2, SHAFT WEIGHT 187.8 WAS 187.3, WR ² 0.5291 WAS 0.5283	KP	SK	I.SAUNDATTI	12 JUN 17
		4	ZONE C3, DIM 687 WAS 692	KP	SK	I.SAUNDATTI	12 JUN 17
		5	SEE ECO FOR CHANGES	KP	SK	I.SAUNDATTI	12 JUN 17

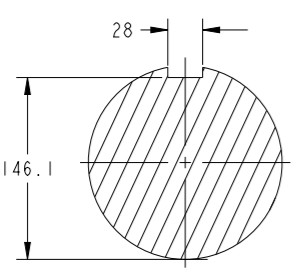
- NOTES:
- SHAFT STIFFNESS:- THE STIFFNESS OF THE SHAFT BETWEEN THE MAIN ROTOR CORE C AND THE COUPLING HUB FACE IS 1.366×10^8 kgcm/radian (STIFFENING EFFECT OF MAIN ROTOR CORE IS NOT INCLUDED IN THIS FIGURE)
 - SHAFT MATERIAL:- STEEL - C40E TO BSEN 10083-2 2006 (APPROVED BY MARINE AUTHORITIES WHEN APPROPRIATE) MAXIMUM RECOMMENDED VIBRATORY STRESS LEVEL IN THE SHAFT IS 34.47×10 N/m² FOR SPEED RANGE OF 0.95 TO 1.1 X NOMINAL SPEED AND 68.94×10 N/m² FOR RUN THROUGH CONDITIONS, FOR INDUSTRIAL MACHINES. FOR MARINE AUTHORITIES, THEIR APPROPRIATE RULES WILL APPLY
 - CUMMINS GENERATOR TECHNOLOGIES LTD SHOULD BE NOTIFIED OF ANY ROTORS NOT COMPLYING WITH THESE RULES. CUMMINS GENERATOR TECHNOLOGIES LTD BALANCE ROTORS TO COMPLY WITH INTERNATIONAL STD BS ISO 1940 PARTS 1 AND 2. BALANCE GRADE 2.5
 - FOR UNBALANCED MAGNETIC PULL (U.M.P.) REFER TO THE FACTORY



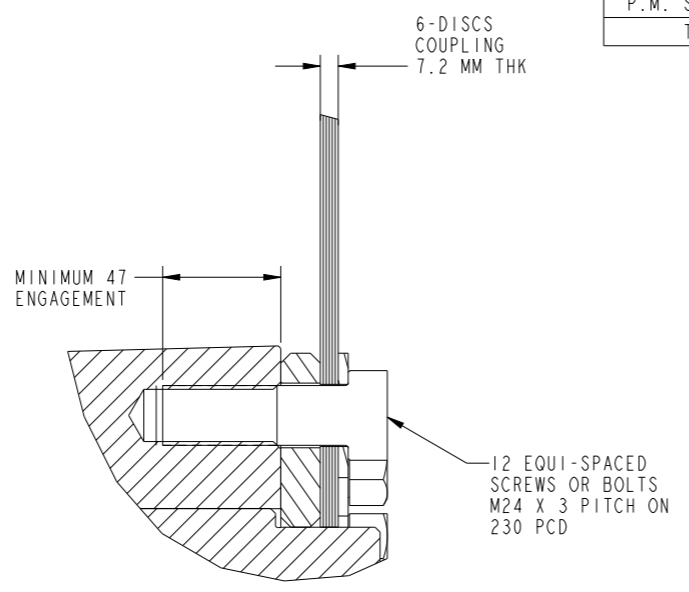
SECTION A-A



SECTION B-B



SECTION C-C



DETAIL A
SCALE 0.700

SECTION THRU SHAFT
END AND COUPLING
SCREWS OR BOLTS

COMPONENT	Wt Kg	WR ² (KGM ²)
EX. ROTOR	38.66	0.5785
MAIN ROTOR	678.19	21.021
FAN	19.03	0.8523
SHAFT	187.8	0.5291
HUB	37.45	0.4827
P.M. EXCITER ROTOR	4	0.011
P.M. STUB SHAFT	0.859	0.0003
TOTAL	965.99	23.475

COUPLING SAE NO	COUPLING DIMENSIONS		COUPLING DISC WEIGHT KG	COUPLING SPACER WEIGHT KG	COUPLING ASSEMBLY WEIGHT KG	COUPLING STIFFNESS 6-PLATES kgcm/rad	COUPLING DISC WR ² kg m ²
	XX	YY					
14	467	25	1.39	7.76	21.75	13.956×10^8	0.265
18	571.412	15.88	2.20	4.78	23.38	12.113×10^8	0.535

CONVERSION FACTORS		
TO CONVERT	TO	DIVIDE BY
kg	lb	0.453592
kg m ²	lb ft ²	0.04214
kgcm/rad	lbin/rad	1.1521246
N/m ²	lbf/in ²	6894.76

UNLESS OTHERWISE SPECIFIED, ALL DIMENSIONS ARE IN MILLIMETERS		S1W TO .		DWN R_HANABAR			CUMMINS GENERATOR TECHNOLOGIES	
DO NOT SCALE PRINT		APVD I_SAUNDATTI		CKD S_KARMARKAR			DRAWING, TORSIONAL	
DATE 24FEB17		SITE CODE		S6L1D-F, 1 BRG		S6L1D-F, 1 BRG		
SCALE 0.350		FIRST USED ON S6		STA		A057G559		
1 OF 1						1 OF 1		