

NOTE:
1. CUSTOMER MUST ENSURE THAT AIR INLET AND OUTLET POSITIONS ARE NOT OBSTRUCTED

Document Generated: 05OCT2023 08:56 GMT

Cummins Data Classification:
Cummins Confidential

This document (and the information shown thereon) is **Confidential and Proprietary** and shall not be disclosed to others in hard copy or electronic form, reproduced by any means, or used for any purpose without written consent of Cummins Inc.

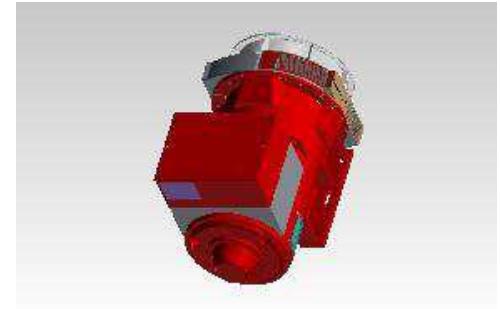
Part Number: **A058G280** Part Revision: **E**
 Part Name: **ARRANGEMENT, GENERATOR GENERAL**
 Drawing Category: **Outline (Tabulation)** State: **Released** Sheet 1 of 2

Cummins Generator Technologies DIMENSIONS ARE IN: MILLIMETERS () ARE IN: - SIZE: A0 SCALE: 1:5 DIMENSIONING AND TOLERANCING PER: ASME Y14.5-2009 180° ANGLE PROJECTION		CAD SYSTEM PTC® Creo® Parametric



Part Number: A058G280

Change Notice	CN00108580	Alternates	
Manufacturer Part (MEP)	No	Usage	Production Only
Release Phase Code	Production (P)	Drawing Specification	Number: DSA058G280
External Regulations	No External Regulation		Revision: E



3D image provided when available for visual reference only.

Drawing Revision Information

Description of Change(s)

Note: Change information is provided for reference only and does not supersede the drawing's primary content.

DRAWING - NOTE AMENDED TO READ 32 HOLES IN ADAPTER MATING FLANGE (WAS 16). ANGULAR POSITIONS OF HOLES (SAE POSITIONS) CLARIFIED.

PART - ADAPTER PART NUMBER WAS 760-10083 (SAE00 / 16-HOLES), NOW 760-10640 (SAE00 / 32-HOLES).

Drawing Authorization

Drafter	Tony Charles Clarke	Date	05OCT2023
Checker	Darren George Robert Lee	Date	05OCT2023
Approver	NO APPROVAL REQUIRED	Date	

Document Generated: 05OCT2023 08:56 GMT