

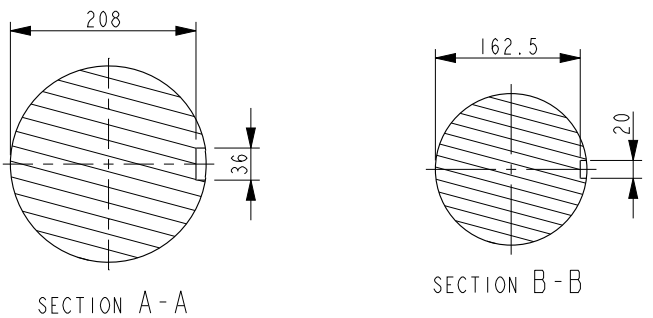
CONVERSION FACTORS		
TO CONVERT	TO	DIVIDE BY
kg	lb	0.453592
kg m ²	lb ft ²	0.04214
kgcm/rad	lbin/rad	1.1521246
N/m ²	lbf/in ²	6894.76

COMPONENT	Wt Kg	WR ² Kg m ²
1 SHAFT	454	2.5
2 FAN	29	2.5
3 HUB	116	2.2
4 MAIN ROTOR	974	55.9
5 EXCITER ROTOR	75	1.7
6 P. MAG ROTOR	6.9	0.019
7 STUB SHAFT	0.9	0.0003
TOTAL	1655.8	64.8193

COUPLING SAE No	COUPLING DIMENSIONS		COUPLING ASSEMBLY MASS Kg	COUPLING STIFFNESS 10-PLATES Nm/rad	COUPLING DISC WR ² kg m ²
	A	B			
18	571.4	16	29.2	316.8 x 10 ⁶	0.980
21	673	0	31.6	287.3 x 10 ⁶	1.891

NOTES:

- SHAFT STIFFNESS:
THE STIFFNESS OF THE SHAFT BETWEEN THE MAIN ROTOR CORE ϕ AND THE COUPLING HUB FACE IS 300×10^6 kgcm/radian (STIFFENING EFFECT OF MAIN ROTOR CORE IS NOT INCLUDED IN THIS FIGURE)
- SHAFT PROPERTIES:
MINIMUM YIELD : 260MPa
MINIMUM ULTIMATE TENSILE STRENGTH : 530MPa
SHAFT MATERIAL IS APPROVED BY MARINE AUTHORITIES WHEN APPROPRIATE
- MAXIMUM RECOMMENDED VIBRATORY STRESS LEVEL IN THE SHAFT IS 34.47×10^6 N/m² FOR SPEED RANGE OF 0.95 TO 1.1 X NOMINAL SPEED AND 68.94×10^6 N/m² FOR RUN THROUGH CONDITIONS, FOR INDUSTRIAL MACHINES
- FOR MARINE AUTHORITIES, THEIR APPROPRIATE RULES WILL APPLY
- CUMMINS GENERATOR TECHNOLOGIES LTD SHOULD BE NOTIFIED OF ANY ROTORS NOT COMPLYING WITH THESE RULES. CUMMINS GENERATOR TECHNOLOGIES LTD BALANCE ROTORS TO COMPLY WITH INTERNATIONAL STD ISO 1940 GRADE 2.5 AND BS 6861 PART 1 GRADE 2.5
- FOR UNBALANCED MAGNETIC PULL (U.M.P) FORCES PLEASE CONTACT CUMMINS GENERATOR TECHNOLOGIES LTD



Cummins Generator Technologies

DIMENSIONS ARE IN: MILLIMETERS
[] ARE IN: -

SIZE: A2 SCALE: N/A

DIMENSIONING AND TOLERANCING PER: ASME Y14.5-2009

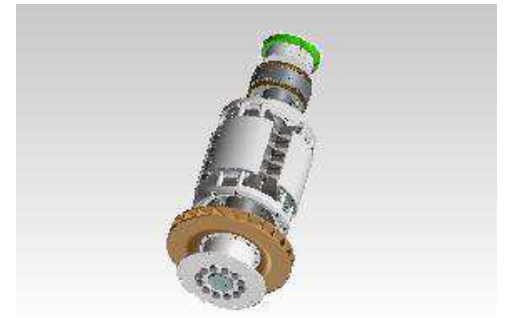
THIRD ANGLE PROJECTION

CAD SYSTEM
PTC® Creo® Parametric



Part Number: A066R486

Change Notice	CN00030427	Alternates	
Manufacturer Part (MEP)	No	Usage	Production Only
Release Phase Code	Production (P)	Drawing Specification	DS47068043
External Regulations	No External Regulation		



3D image provided when available for visual reference only.

Associated Specifications

Number	Name	Type	Category	Sub-Category
ESA030B356	SPECIFICATION,MATERIAL	Engineering Specification	Material Specification	Prohibited and Restricted Prohibited and Restricted

Drawing Revision Information

Description of Change(s)
PRODUCTION RELEASE.

Drawing Authorization

Drafter	Mihai-Cristian Ilinca	Date	11MAR2021
Checker	Daniel Ciochina	Date	11MAR2021
Approver	NO APPROVAL REQUIRED	Date	

Document Generated: 11MAR2021 13:34 GMT