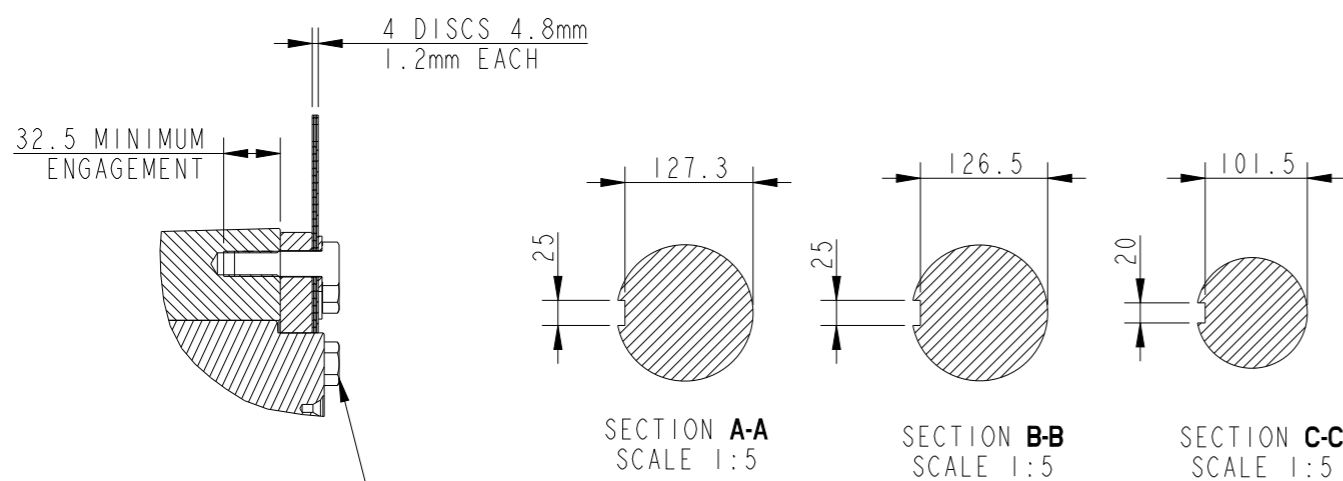
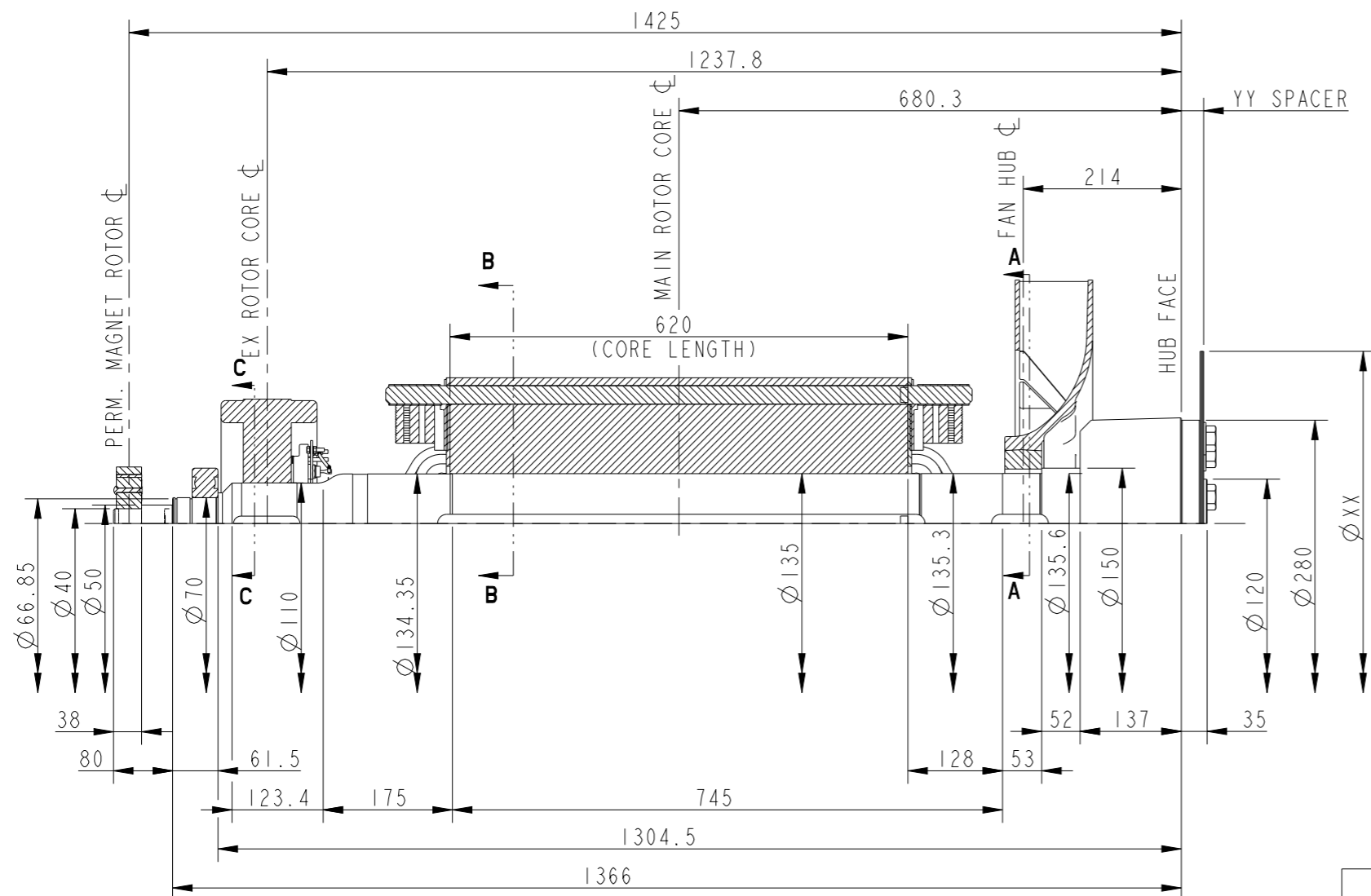


REL NO	REV	NO	REVISION	DWN	CKD	APVD	DATE
ECO-181833	B	1	SEE ECO DESCRIPTION	SAU	DGL	K.WEJRZANOWSKI	10DEC18

NOTES:

- SHAFT STIFFNESS:
THE STIFFNESS OF THE SHAFT BETWEEN THE MAIN ROTOR CORE AND THE COUPLING HUB FACE IS 49.60×10^6 kgcm/radian (STIFFENING EFFECT OF MAIN ROTOR CORE IS NOT INCLUDED IN THIS FIGURE)
- SHAFT PROPERTIES:
MINIMUM YIELD : 260MPA
MINIMUM ULTIMATE TENSILE STRENGTH : 530MPA
SHAFT MATERIAL IS APPROVED BY MARINE AUTHORITIES WHEN APPROPRIATE
- MAXIMUM RECOMMENDED VIBRATORY STRESS LEVEL IN THE SHAFT IS 34.47×10^6 N/m² FOR A SPEED RANGE OF 0.95 TO 1.1 X NOMINAL SPEED AND 68.94×10^6 N/m² FOR RUN THROUGH CONDITIONS, FOR INDUSTRIAL MACHINES
- FOR MARINE AUTHORITIES, THEIR APPROPRIATE RULES WILL APPLY
- CUMMINS GENERATOR TECHNOLOGIES LTD SHOULD BE NOTIFIED OF ANY ROTORS NOT COMPLYING WITH THESE RULES
- CUMMINS GENERATOR TECHNOLOGIES BALANCE ROTORS TO COMPLY WITH INTERNATIONAL STD ISO 1940 GRADE 2.5 AND BS 6861 PART 1 GRADE 2.5
- FOR UNBALANCED MAGNETIC PULL (U.M.P.) FORCES PLEASE CONTACT CUMMINS GENERATOR TECHNOLOGIES LTD



SECTION THRU SHAFT END AND COUPLING SCREW OR BOLTS
10 EQUI-SPACED SCREWS OR BOLTS M20 X 2.5P ON 230 P.C.D

COMPONENT	WT (Kg)	WR ² Kg ^m ²
EX. ROTOR	31.290	0.5100
MAIN ROTOR	504.540	9.1910
FAN	20.739	0.8868
SHAFT	147.391	0.3281
HUB	49.067	0.6020
P.M. EX. ROTOR	6.970	0.0180
P.M. STUB SHAFT	0.929	0.0003
TOTAL	760.926	11.5362

CONVERSION FACTORS		
TO CONVERT	TO	DIVIDE BY
Kg	lb	0.453592
Kg ^m ²	lb ft ²	0.04214
Kgcm/rad	lbin/rad	1.1521246
N/m ²	lbf/in ²	6894.76

COUPLING SAE No	COUPLING DIMENSION		COUPLING ASSEMBLY WEIGHT (Kg)	COUPLING STIFFNESS 4-PLATES (kgcm/rad)	COUPLING DISC WR ² (Kg ^m ²)
	XX	YY			
14	467	30.200	17.98	883.2×10^6	0.174
18	572	20.675	17.69	779.8×10^6	0.396

UNLESS OTHERWISE SPECIFIED, ALL DIMENSIONS ARE IN MILLIMETERS SCALE 1:13	SIM TO L15-10689	DWN S. BALAMURUGAN		CUMMINS GENERATOR TECHNOLOGIES	
	DO NOT SCALE PRINT	CKD A. BIRARI		DRAWING, TORSIONAL	
THIS DOCUMENT (AND THE INFORMATION SHOWN THEREON) IS CONFIDENTIAL AND PROPRIETARY AND SHALL NOT BE DISCLOSED TO OTHERS IN HARD COPY OR ELECTRONIC FORM, REPRODUCED BY ANY MEANS, OR USED FOR ANY PURPOSE WITHOUT WRITTEN CONSENT OF CUMMINS INC.	FOR INTERPRETATION OF DIMENSIONING AND TOLERANCING, SEE ASME Y14.5-2009	DATE 13APR17	SITE CODE	S5 H 1-BRG	CAD SHEET 1 of 1
	FIRST USED ON S5	STA	DWG SIZE A2	A057R591	