

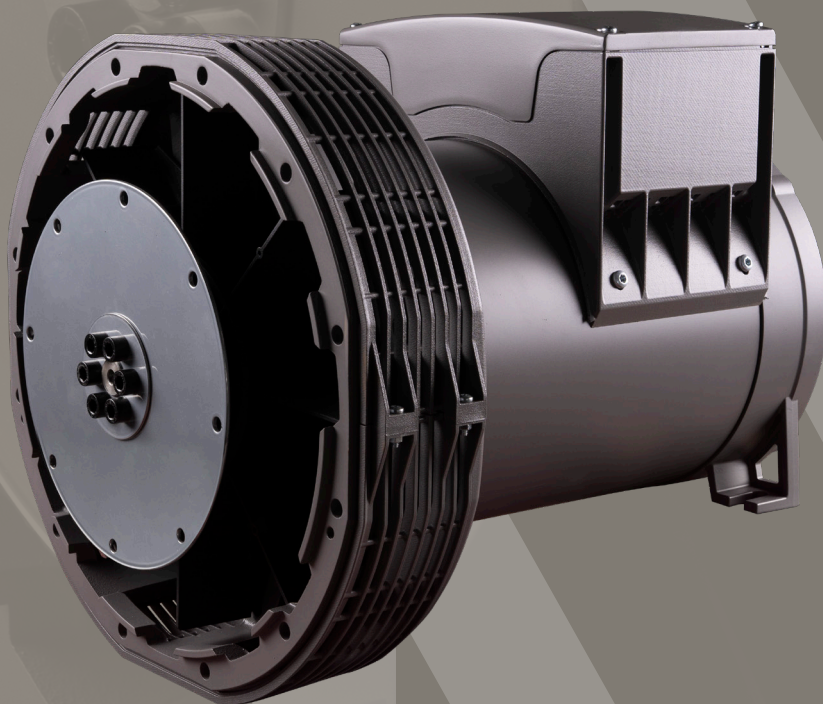
NEWAGE[®]

**A LEGACY OF
CERTAINTY,
REGENERATED
FOR TODAY**

N100

10-20kVA (50HZ) / 10-26kVA (60HZ)

LOW VOLTAGE ALTERNATORS



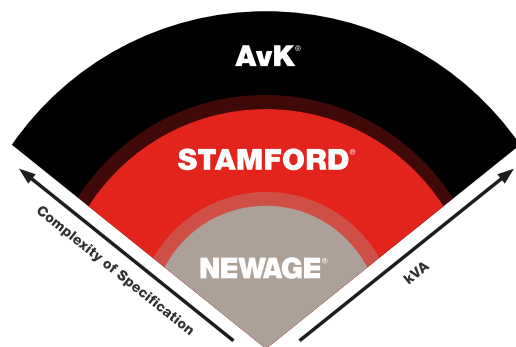
NEWAGE[®] | STAMFORD[®] | AvK[®]

Powering the world with confidence since 1904

80 years on and NEWAGE® is regenerated to serve today's market needs.

The NEWAGE® alternator range offers the low voltage, simple solution for a range of applications, utilising renowned STAMFORD® and AvK® quality and service standards.

Built to market-driven specification, NEWAGE® delivers compact, market leading alternators made in Europe and delivered to competitive lead times. Every NEWAGE® alternator comes equipped with a 3 phase sensing Digital AVR® as standard and the ability to sustain a 3X short-circuit without the need for excitation enhancement options.



NEWAGE® | STAMFORD® | AvK®



Solution to market specifications

Tailored to market requirements, as the low voltage solution up to 160kVA. Simple to select and simple to use.



Confidence in complete brand portfolio

Designed, built and tested to the quality assurance level of ISO9001 and meet the requirements of IEC 60034-1 and ISO8528-3, whilst applying the same STAMFORD® and AvK® brand quality standards, global support and established service network, based on over 100 years of alternator excellence.



Improved dimensions and efficiency

Compact design to maximise power density, with competitive efficiencies, weight and dimensions.



Digital AVR as standard

DM710 digital automatic voltage regulator with 3 phase sensing and voltage sensing accuracy of +/- 0.5% as standard.



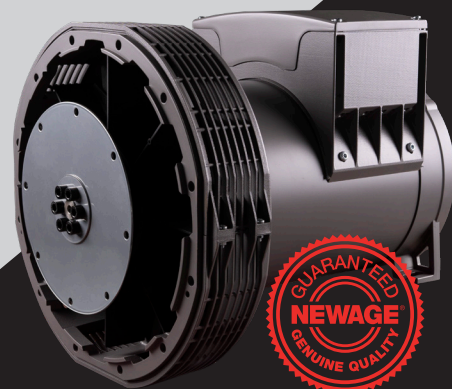
3X sustained short circuit

3X sustained short-circuit capability, as standard, without the need for enhanced or enhanced+ excitation options, enabling one part number for many applications.



European built

European built with consistent and competitive lead times.



50 Hz

Class H 125/40						
Winding Number 212/312						
Volts	380		400		415	
Model	kW	kVA	kW	kVA	kW	kVA
N100						
N10G4	8.0	10.0	8.0	10.0	8.0	10.0
N15G4	12.0	15.0	12.0	15.0	12.0	15.0
N20G4	16.0	20.0	16.0	20.0	16.0	20.0

Standby 150/40						
Winding Number 212/312						
Volts	380		400		415	
Model	kW	kVA	kW	kVA	kW	kVA
N100						
N10G4	8.4	10.5	8.4	10.5	8.4	10.5
N15G4	12.6	15.8	12.6	15.8	12.6	15.8
N20G4	16.8	21.0	16.8	21.0	16.8	21.0

Standby 163/27						
Winding Number 212/312						
Volts	380		400		415	
Model	kW	kVA	kW	kVA	kW	kVA
N100						
N10G4	8.8	11.0	8.8	11.0	8.8	11.0
N15G4	13.2	16.5	13.2	16.5	13.2	16.5
N20G4	17.6	22.0	17.6	22.0	17.6	22.0

60 Hz

Class H 125/40								
Winding Number 212/312								
Volts	380		416		440		480	
Model	kW	kVA	kW	kVA	kW	kVA	kW	kVA
N100								
N10G4	8.8	11.0	9.2	11.5	9.6	12.0	10.0	12.5
N15G4	13.6	17.0	14.8	18.5	15.2	19.0	15.2	19.0
N20G4	17.6	22.0	18.8	23.5	19.6	24.5	20.8	26.0

Standby 150/40								
Winding Number 212/312								
Volts	380		416		440		480	
Model	kW	kVA	kW	kVA	kW	kVA	kW	kVA
N100								
N10G4	9.2	11.6	9.7	12.1	10.1	12.6	10.5	13.1
N15G4	14.3	17.9	15.5	19.4	16.0	20.0	16.0	20.0
N20G4	18.5	23.1	19.7	24.7	20.6	25.7	21.8	27.3

Standby 163/27								
Winding Number 212/312								
Volts	380		416		440		480	
Model	kW	kVA	kW	kVA	kW	kVA	kW	kVA
N100								
N10G4	9.7	12.1	10.1	12.7	10.6	13.2	11.0	13.8
N15G4	15.0	18.7	16.3	20.4	16.7	20.9	16.7	20.9
N20G4	19.4	24.2	20.7	25.9	21.6	27.0	22.9	28.6

Model

N100

Maximum Continuous Ratings at 50Hz (kVA)	20
Maximum Continuous Ratings at 60Hz (kVA)	26

Specifications

Voltage Range	380-480
Poles	4
Technology	Wire Wound
AVR	Digital
Voltage Sensing	3 Phase
Short Circuit Current	3 I _n
SAE Adaptors	SAE 4, 5
Terminals	6
Material Insulation Class	H
Excitation System	Self Exciting
Ingress Protection	IP23

Optional Features

Reconnect (12 Ends)	✓
---------------------	---

Designed for

Continuous Power & Standby	✓
----------------------------	---

Prime Movers

Diesel Engine	✓
Gas Engine	✓

NEWAGE® Nomenclature

Family series:	N100	(up to 100kVA)
----------------	------	----------------

Brand Reference	Power Rating	Product	Pole
NEWAGE®	kVA*	G = Generator	
N	15	G	4



NEWAGE® | STAMFORD® | AvK®

Powering the world with confidence since 1904



www.stamford-avk.com

For further information contact
newagestamfordavk@cummins.com

Copyright 2020, Cummins Generator Technologies Ltd. All rights reserved.
Cummins and the Cummins logo are registered trade marks of Cummins Inc. NEWAGE,
STAMFORD and AvK are registered trade marks of Cummins Generator Technologies Ltd.

Cummins Generator Technologies, Fountain Court, Lynch Wood, Peterborough, PE2 6FZ

PB_NEWAGE_EN/AF_ Rev 3

