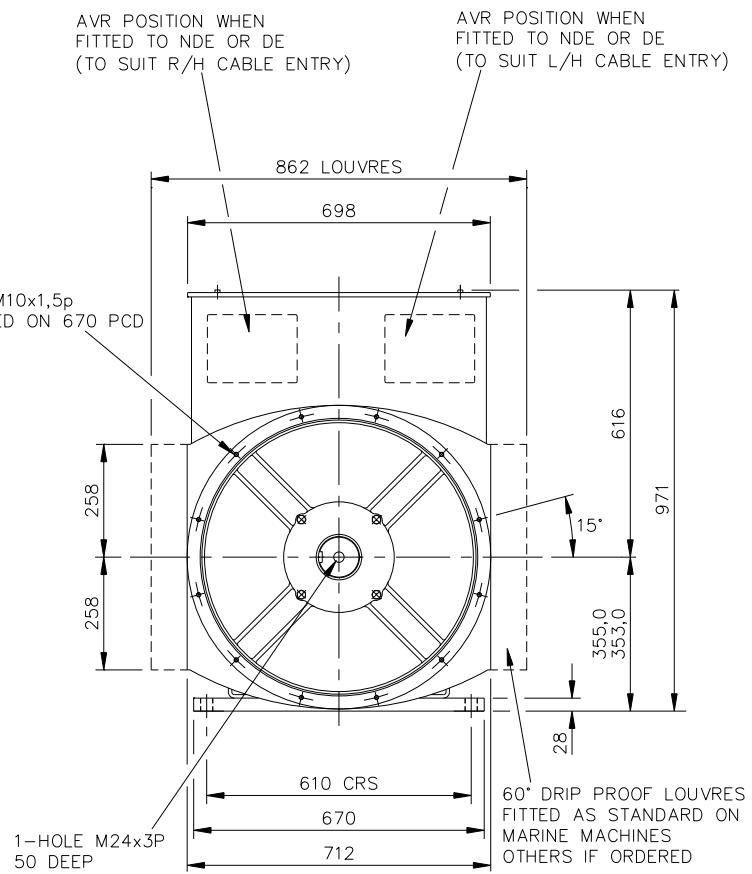
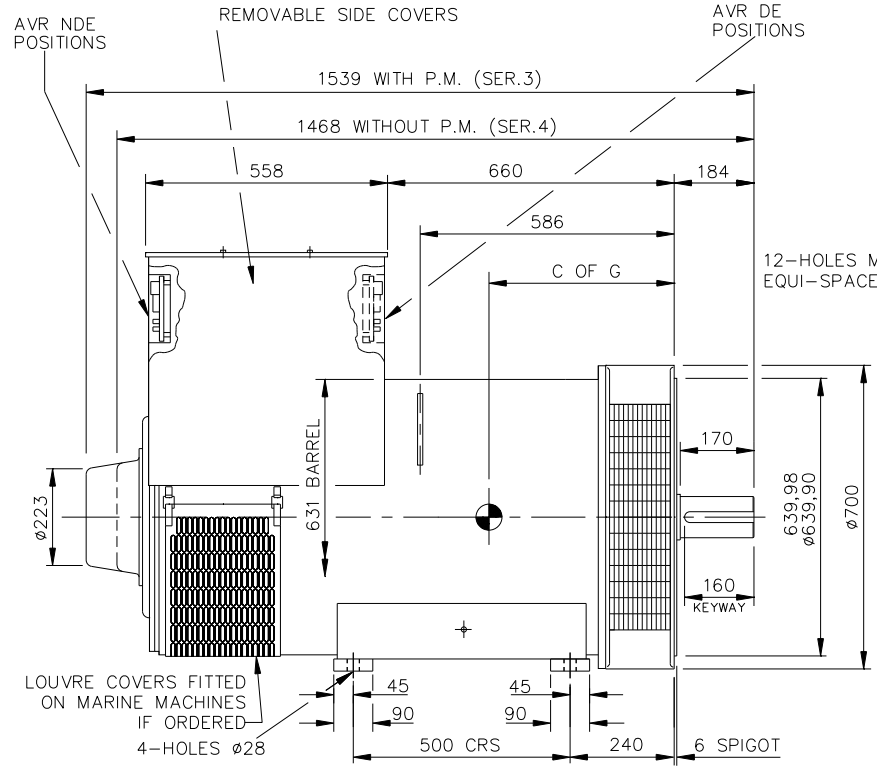
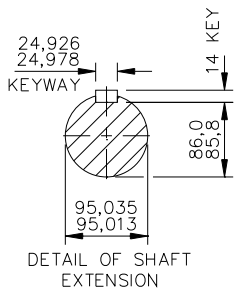


REL NO	REV	DETAILS	DWN	CKD	APVD	DATE
ECO-130106	F	AVR VIEWS & NOTES UPDATED	NNG	APM	SMH	15NOV12

CORE	C OF G
F	565



NOTE: -
CUSTOMER MAY CUT CABLE ENTRY HOLES AS REQUIRED IN ANY OF THE FOUR
TERMINAL BOX SIDES SUBJECT TO POSITION OF AVR, TERMINALS, ETC.

UNLESS SPECIFIED ALL DIMENSIONS ARE IN MILLIMETERS			CUMMINS GENERATOR TECHNOLOGIES				
DO NOT SCALE PRINT	DRAWN		SMC	DRAWING, GENERAL ASSEMBLY			
	CHECKED		SMC	HC5 F 2-BRG STD GA			
CONFIDENTIAL	DATE	10AUG00	SITE CODE				
PROPERTY OF CUMMINS GENERATOR TECHNOLOGIES	SCALE	FIRST USED ON	STA	DWG SIZE	52-4734	SHEET	REV
	1:10	---		A4		1	F

D

D

C

C

B

B

A

A