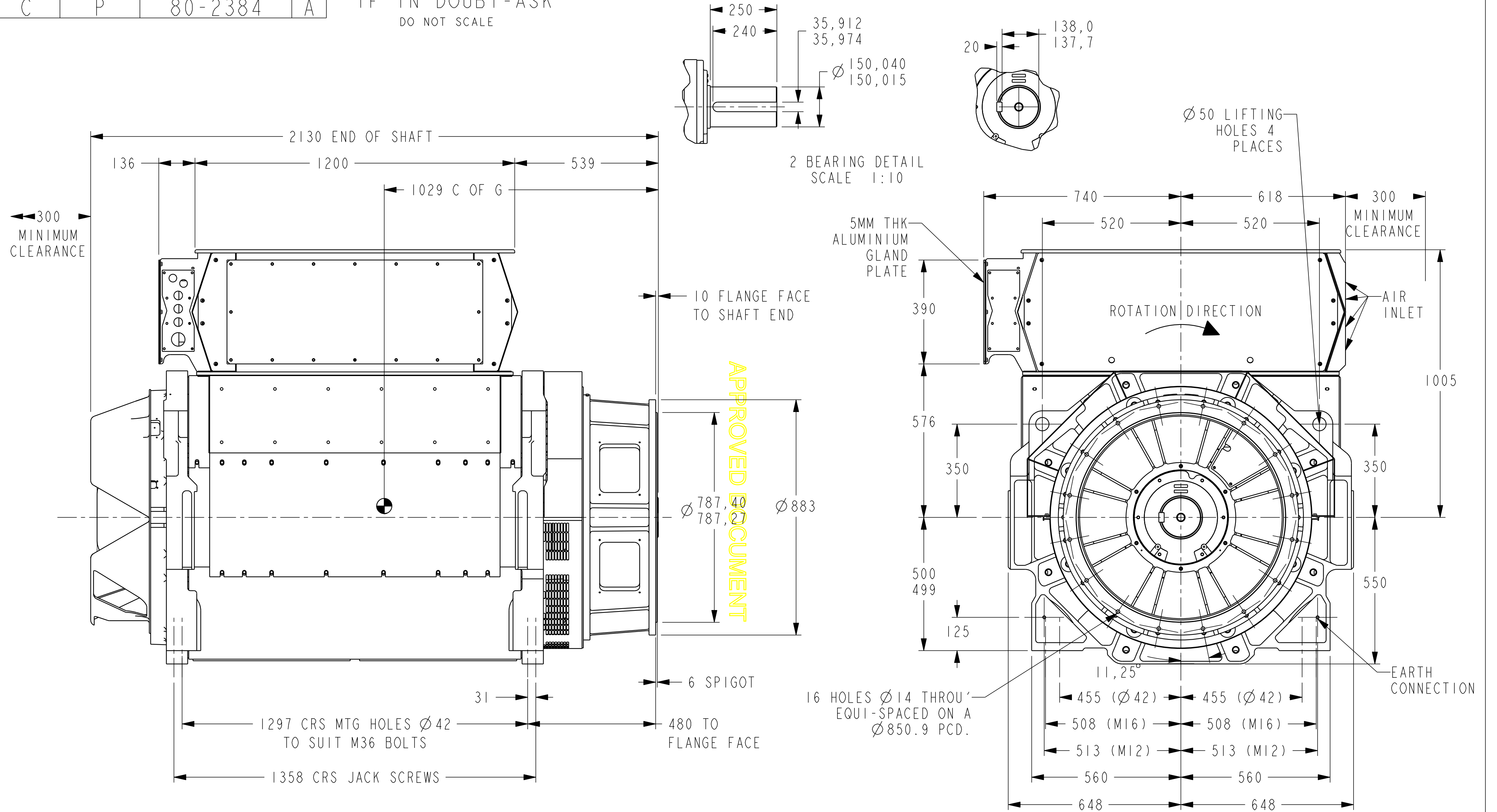


IF IN DOUBT-ASK
DO NOT SCALE



CONFIDENTIAL PROPERTY OF
CUMMINS GENERATOR TECHNOLOGIES LTD

P80 ALTERNATOR LV R CORE
CENTRE HEIGHT = INTEGRAL 500
CONNECTION ADAPTOR SAE00

MATERIAL PROPS	-	DIMENSIONS IN MILLIMETRES (MM) AT 20°C	PROJECTION			SCALE 1:10	MATERIAL SEE BOM
FINISH SPEC	-						
GEOMETRY SPEC	-	SURFACE FINISH VALUES IN MICRO METRES	WEIGHT = 5610 KG			DRG. SIZE C	CASTING No -
ASSEMBLY SPEC	-		DRAWN	IAM	11/09/07	REL. PHASE P	
PERFORMANCE SPEC	-	UNLIMITED DIMS ± --	CHECKED	IAM	11/09/07	PART No 80-2384	ISSUE A
QUALITY SPEC	-		APPROVED	R.MAC	11/09/07		
							SHEET 1 OF 2 SHEETS

4-8326-05	A	IAM	11/09/07	ORIGINAL ISSUE
MOD.	ISSUE	DRAWN	DATE	MODIFICATION

