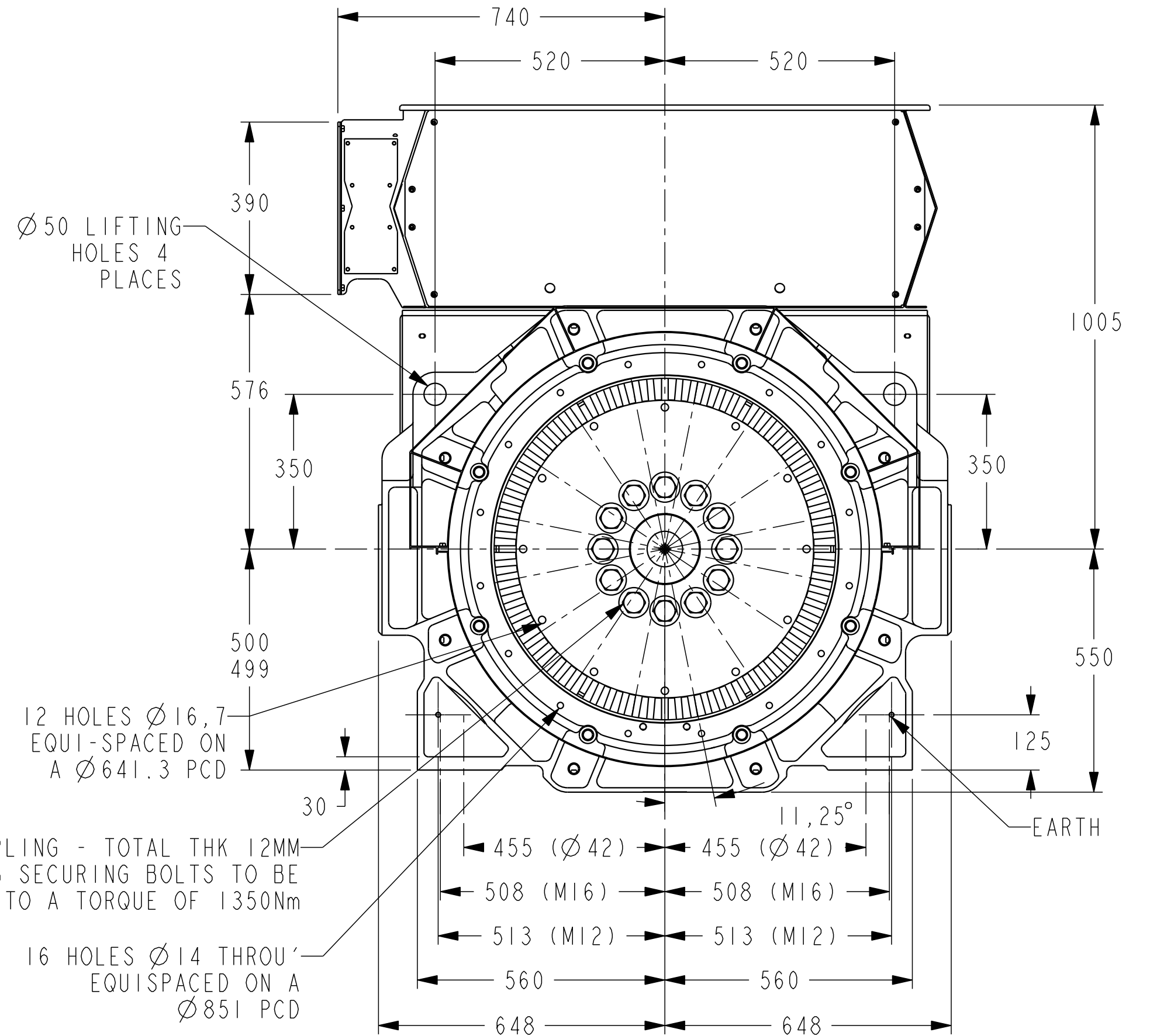
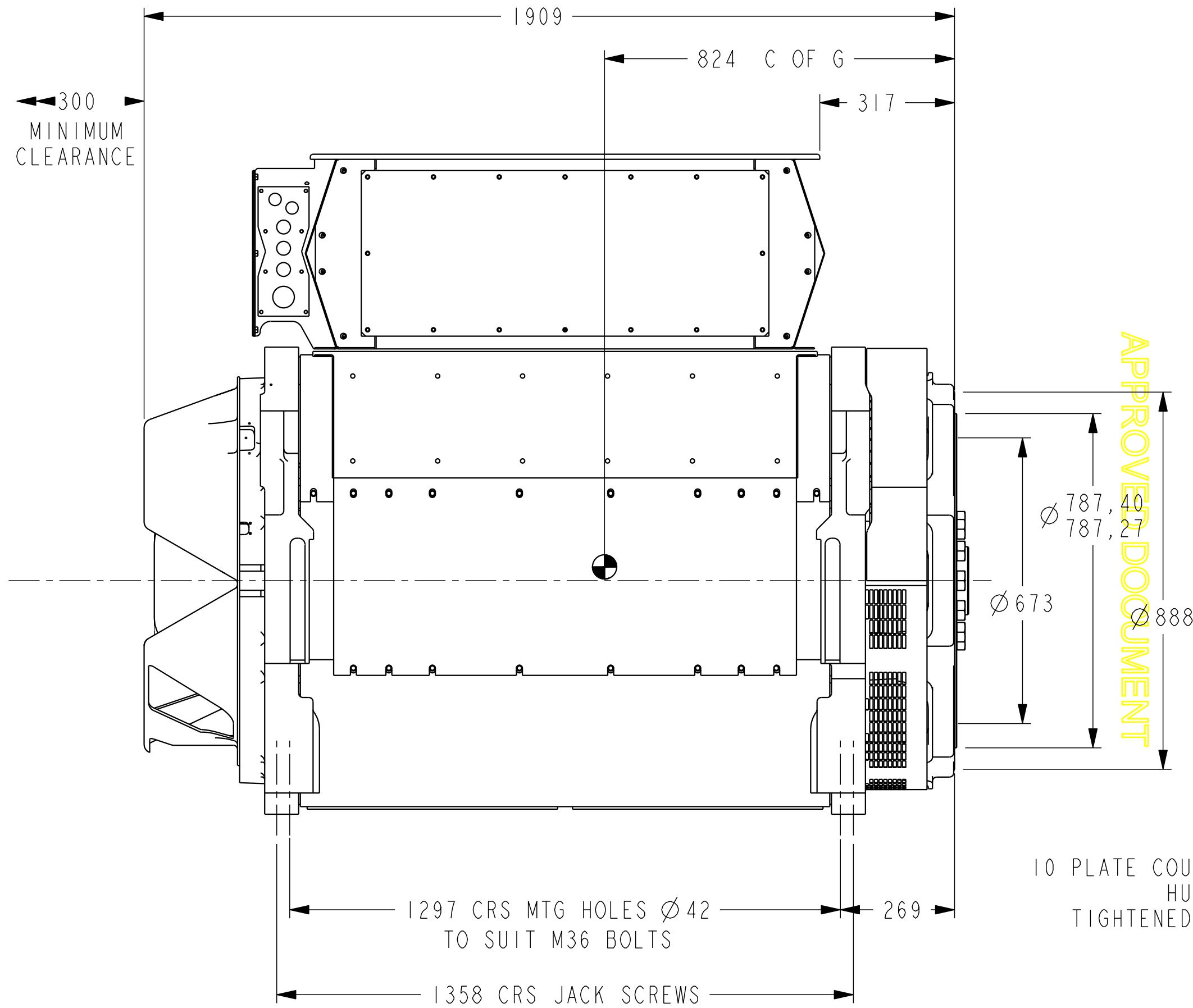


IF IN DOUBT-ASK
DO NOT SCALE



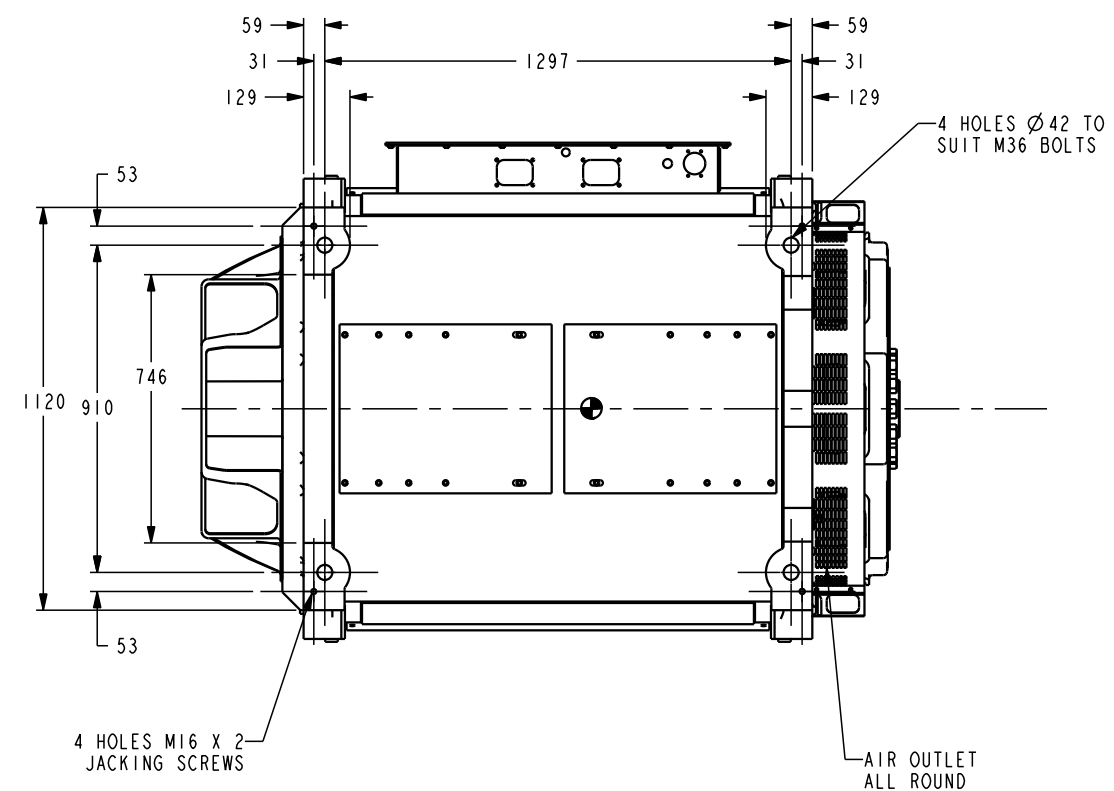
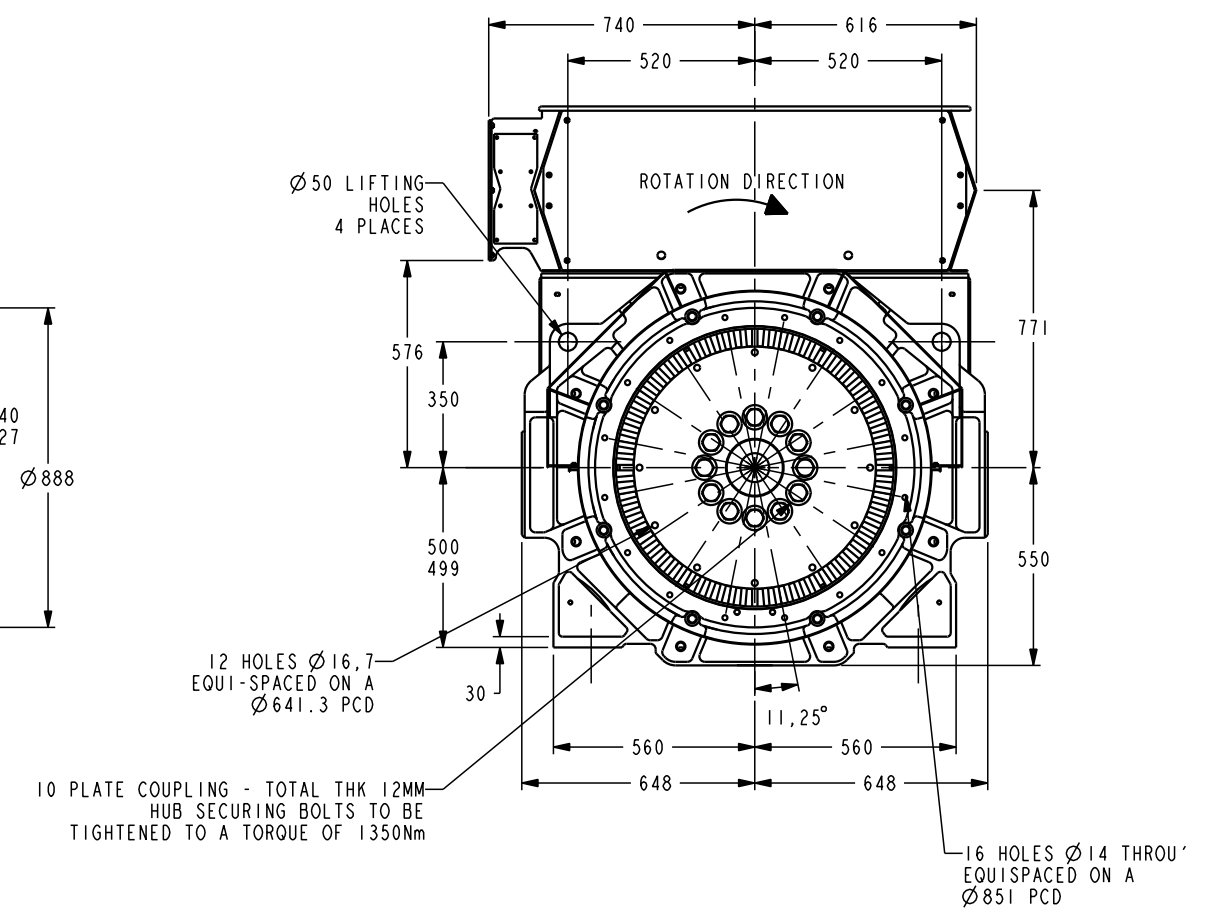
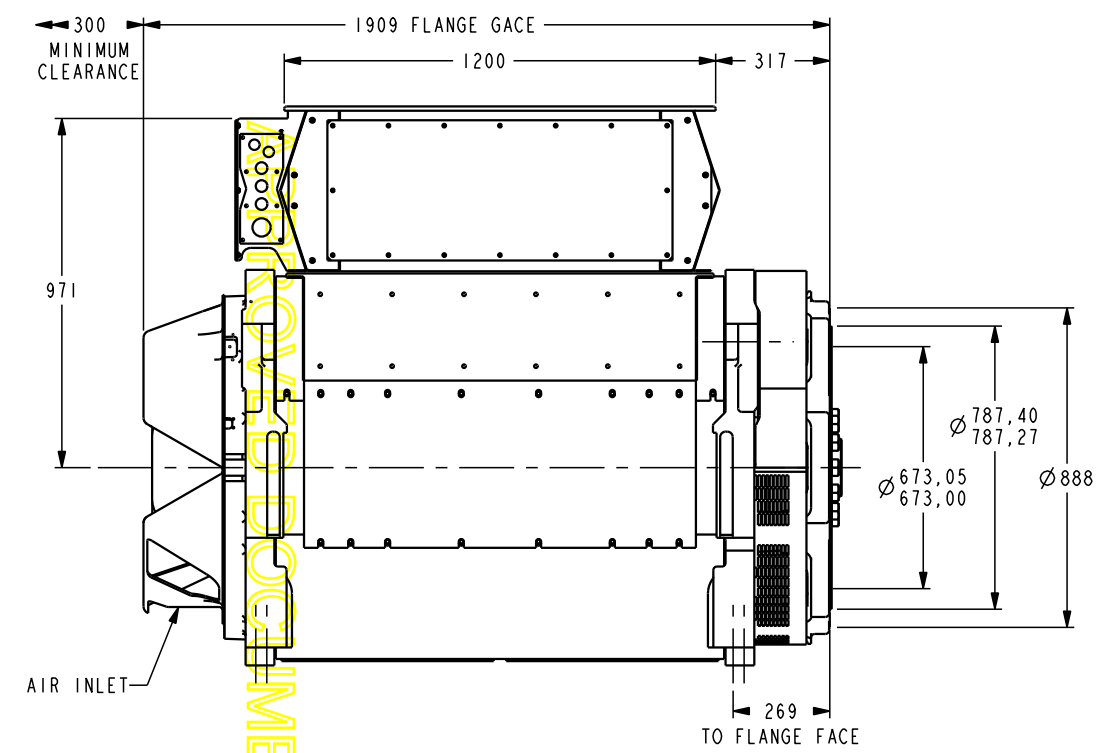
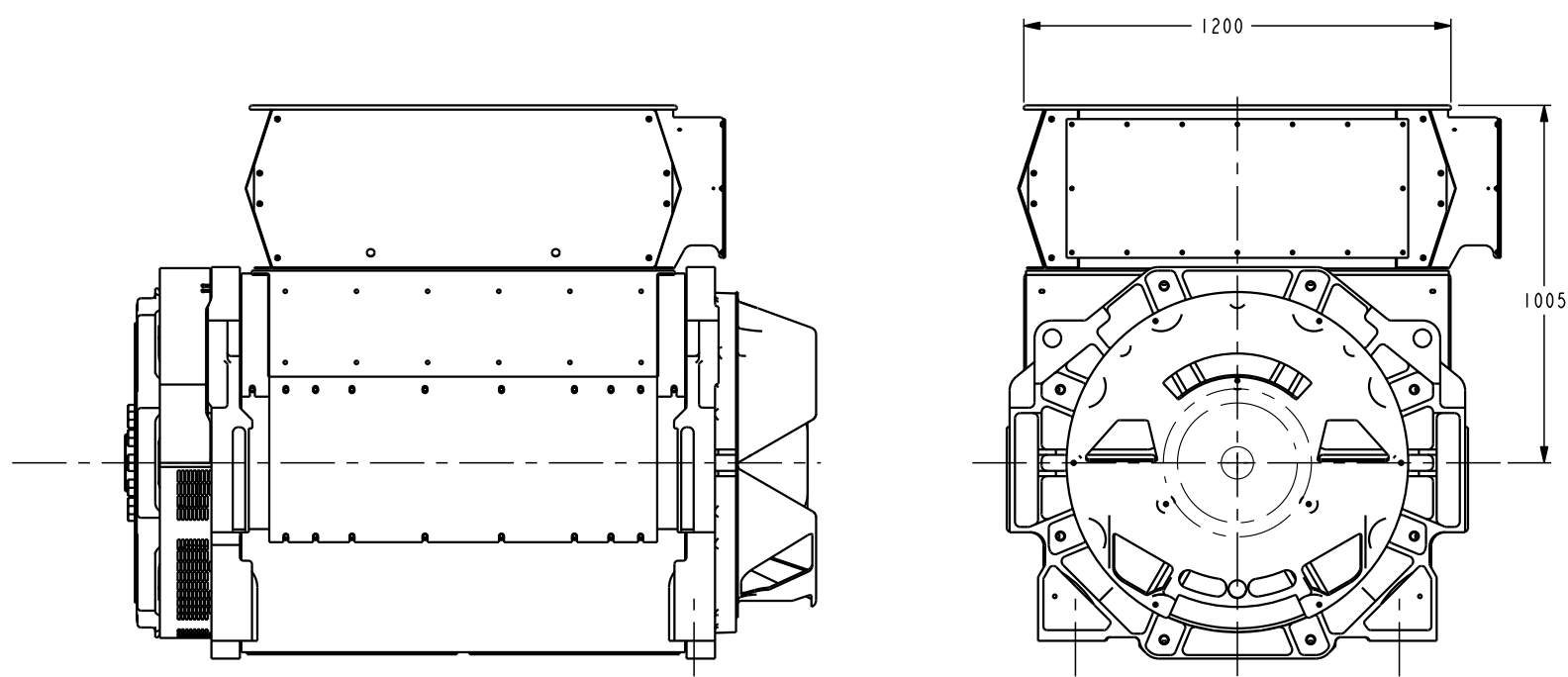
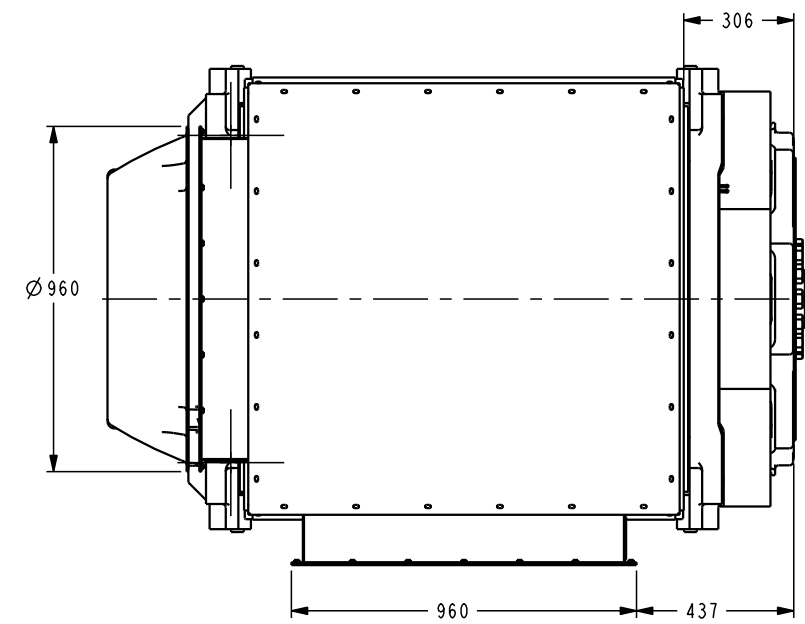
APPROVED DOCUMENT

CONFIDENTIAL PROPERTY OF
CUMMINS GENERATOR TECHNOLOGIES LTD

P80 ALTERNATOR MV R CORE
CENTRE HEIGHT = INTEGRAL 500
CONNECTION DISC SAE21

MATERIAL PROPS	-	DIMENSIONS IN MILLIMETRES (MM) AT 20°C	PROJECTION			SCALE 1:10	MATERIAL SEE BOM						
FINISH SPEC	-												
GEOMETRY SPEC	-	SURFACE FINISH VALUES IN MICRO METRES	WEIGHT = 5387 KG			DRG. SIZE C	CASTING No -						
ASSEMBLY SPEC	-		<table border="1"> <tr> <td>DRAWN</td> <td>IAM</td> <td>24/09/07</td> </tr> <tr> <td>CHECKED</td> <td>IAM</td> <td>24/09/07</td> </tr> <tr> <td>APPROVED</td> <td>R.MAC</td> <td>24/09/07</td> </tr> </table>					DRAWN	IAM	24/09/07	CHECKED	IAM	24/09/07
DRAWN	IAM	24/09/07											
CHECKED	IAM	24/09/07											
APPROVED	R.MAC	24/09/07											
PERFORMANCE SPEC	-	UNLIMITED DIMS ± --	REL. PHASE P			PART No 80-2444	ISSUE A						
QUALITY SPEC	-		Pro/ENGINEER					SHEET 1 OF 2 SHEETS					

4-8326-06	A	IAM	24/09/07	ORIGINAL ISSUE
MOD.	ISSUE	DRAWN	DATE	MODIFICATION



FRAME	P80
CORE LENGTH	R
VOLTAGE RATING	MV
BEARINGS	I
CENTRE HEIGHT	INTEGRAL 500
ADAPTOR	SAE00
COUPLING	SAE21
ENCLOSURE	IP23
CABLE ENTRY FROM DE	LEFT

CONFIDENTIAL PROPERTY OF CUMMINS GENERATOR TECHNOLOGIES LTD				P80 ALTERNATOR MV R CORE CENTRE HEIGHT = INTEGRAL 500 CONNECTION DISC SAE21	
MATERIAL PROPS	-	DIMENSIONS IN MILLIMETRES (MM) AT 20°C	PROJECTION	SCALE 1:10	MATERIAL SEE BOM
FINISH SPEC	-	SURFACE FINISH VALUES IN MICRO METRES	WEIGHT = 5387 KG	DRG. SIZE A	CASTING No
GEOMETRY SPEC	-			DRAWN IAM 24/09/07	PART No 80-2444
ASSEMBLY SPEC	-	UNLIMITED DIMS ±	CHECKED IAM 24/09/07	REL. PHASE P	SHEET 2 OF 2 SHEETS
PERFORMANCE SPEC	-		APPROVED R.MAC 24/09/07	PREP/ENGINEER	
QUALITY SPEC	-				

4-8326-06	A	IAM	24/09/07	ORIGINAL ISSUE
MOD.	ISSUE	DRAWN	DATE	MODIFICATION