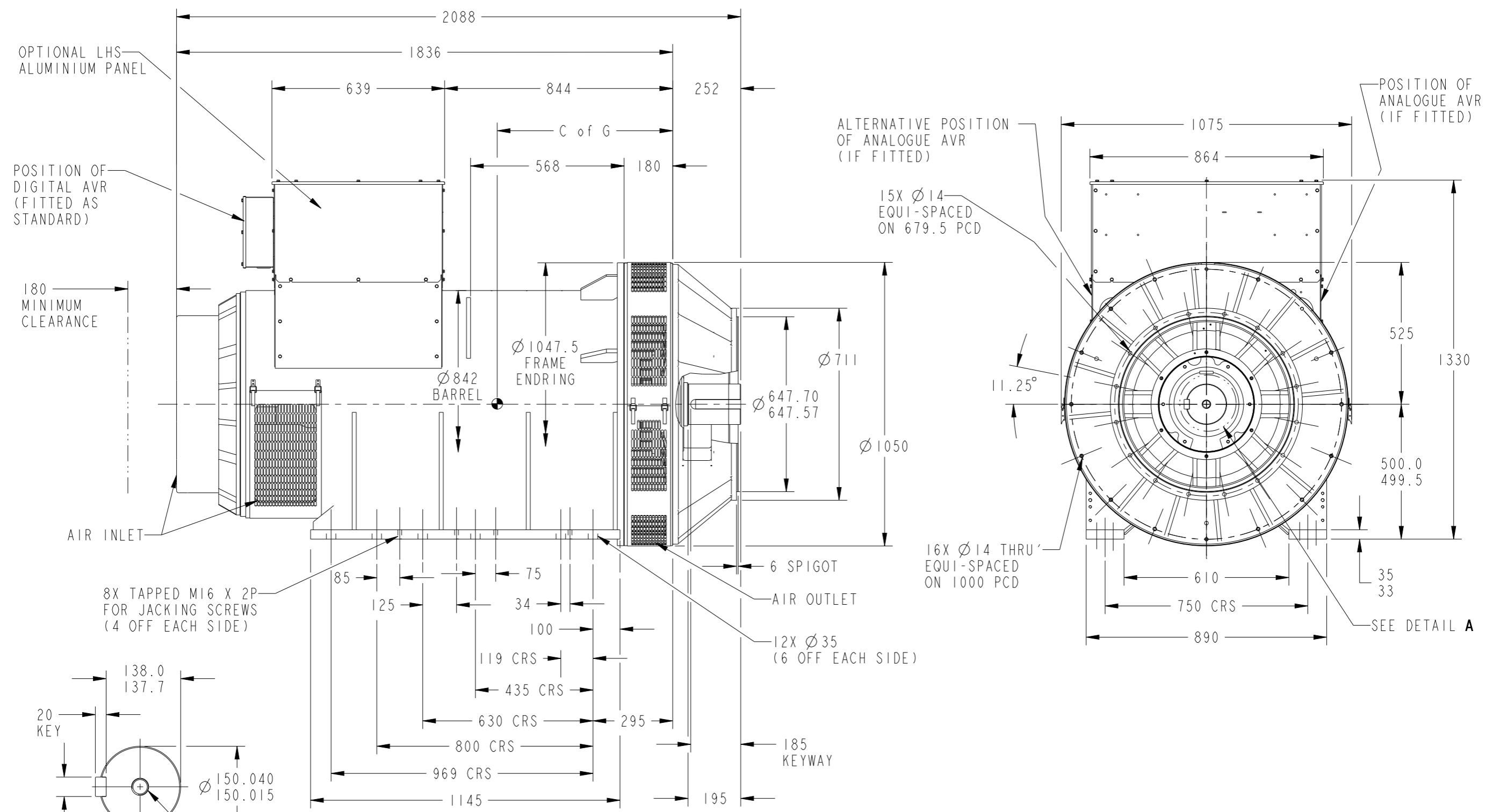


C of G	WEIGHT KG
742	4450

REL NO	REV	NO	REVISION	DWN	CKD	APVD	DATE
ECO-168848	C	1	ZONE C3, REMOVED AGGREKO TERMINAL BLOCK, QTY 2	AL	AB	B_SURVE	21MAR17

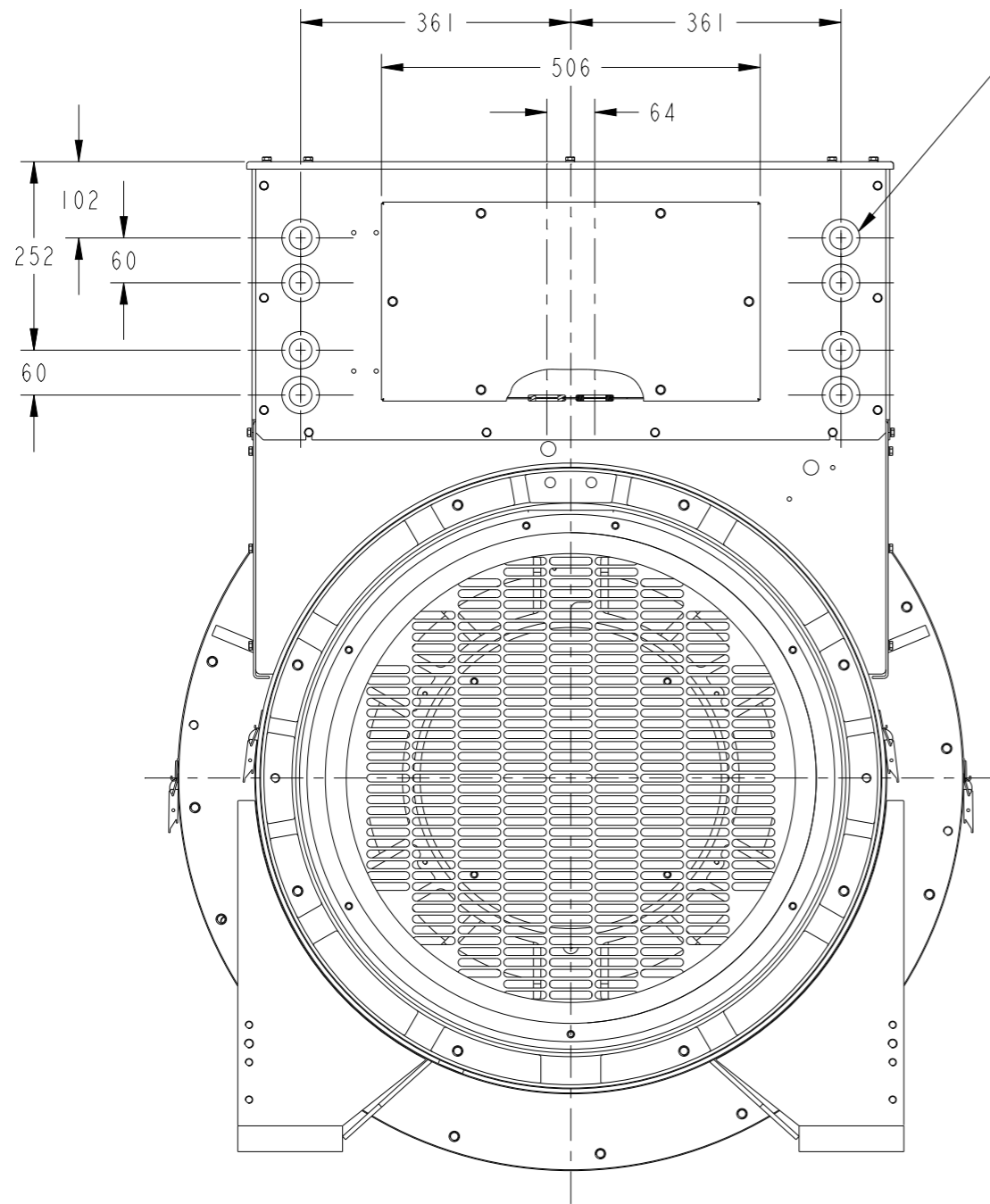
NOTE:  
CUSTOMER MUST ENSURE THAT AIR INLET AND OUTLET POSITIONS ARE NOT OBSTRUCTED



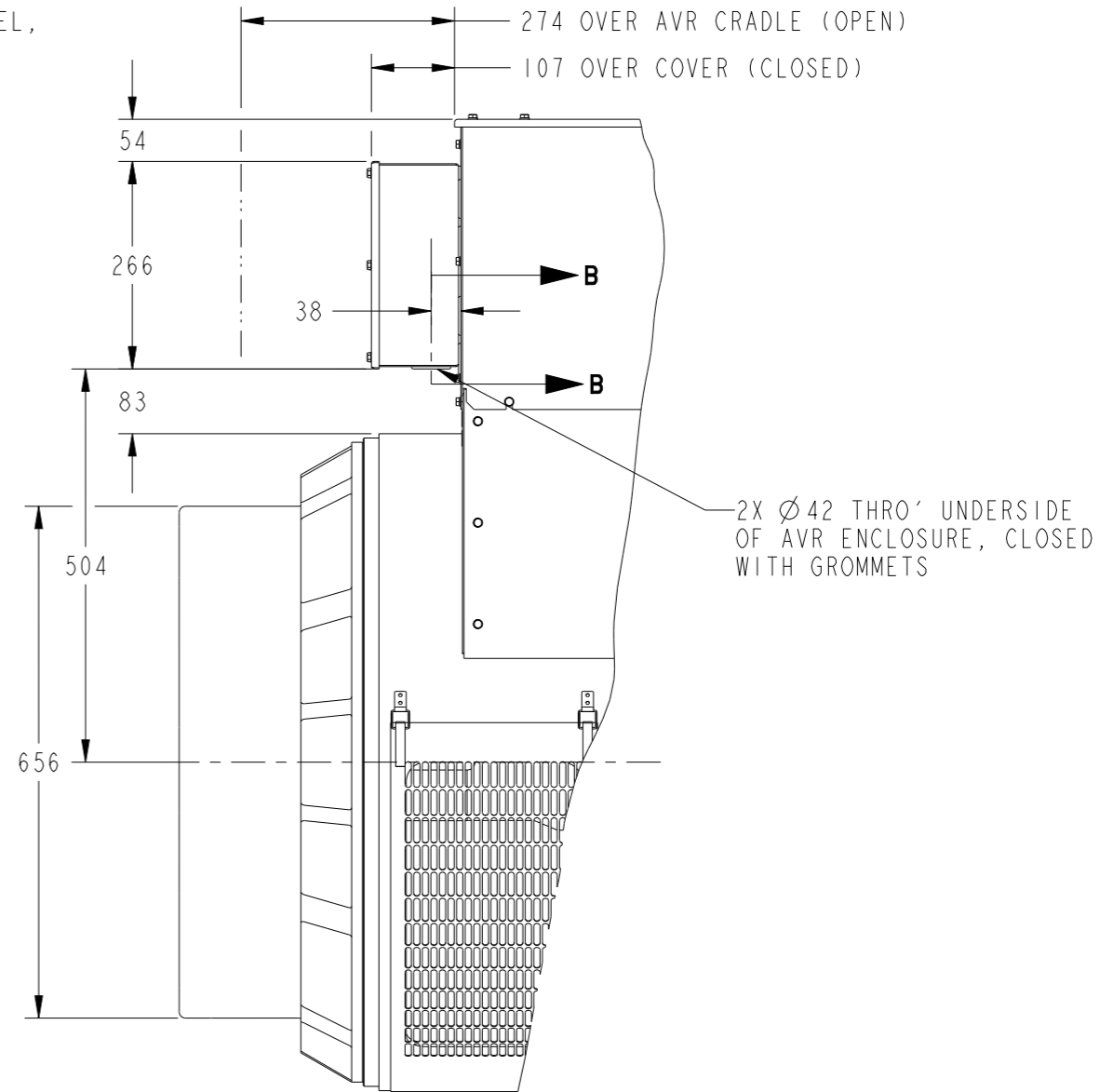
DETAIL A  
SCALE 1:5  
FOR SHAFT EXTENSION

UNLESS OTHERWISE SPECIFIED, ALL DIMENSIONS ARE IN MILLIMETERS	SIM TO A053V550	DWN A_LAHEKAR		CUMMINS GENERATOR TECHNOLOGIES	
	DO NOT SCALE PRINT	CKD A_BIRARI		DRAWING, GENERAL ASSEMBLY	
SCALE 1:10		APVD D_LEE	SITE CODE	P7 H CORE 2BRG SAE0 AVR	
THIS DOCUMENT (AND THE INFORMATION SHOWN THEREON) IS CONFIDENTIAL AND PROPRIETARY AND SHALL NOT BE DISCLOSED TO OTHERS IN HARD COPY OR ELECTRONIC FORM, REPRODUCED BY ANY MEANS, OR USED FOR ANY PURPOSE WITHOUT WRITTEN CONSENT OF CUMMINS INC.	FOR INTERPRETATION OF DIMENSIONING AND TOLERANCING, SEE ASME Y14.5-2009	DATE 08MAR16		STA	DWG SIZE A2
		FIRST USED ON P7			CAD SHEET 1 of 2

REL NO	REV	NO	REVISION	DWN	CKD	APVD	DATE
ECO-168848	C	-	---	AL	AB	B_SURVE	21MAR17



8X Ø42 THRO' NDE PANEL,  
CLOSED WITH GROMMETS



2X Ø42 THRO' UNDERSIDE  
OF AVR ENCLOSURE, CLOSED  
WITH GROMMETS

PART SECTION **B-B**  
SCALE 1:6

UNLESS OTHERWISE SPECIFIED, ALL DIMENSIONS ARE IN MILLIMETERS	SIM TO A053V550	DWN A_LAHEKAR		CUMMINS GENERATOR TECHNOLOGIES	
	<b>DO NOT SCALE PRINT</b>	CKD A_BIRARI		DRAWING, GENERAL ASSEMBLY	
SCALE 1:10		APVD D_LEE	SITE CODE	P7 H CORE 2BRG SAE0 AVR	
THIS DOCUMENT (AND THE INFORMATION SHOWN THEREON) IS CONFIDENTIAL AND PROPRIETARY AND SHALL NOT BE DISCLOSED TO OTHERS IN HARD COPY OR ELECTRONIC FORM, REPRODUCED BY ANY MEANS, OR USED FOR ANY PURPOSE WITHOUT WRITTEN CONSENT OF CUMMINS INC.	FOR INTERPRETATION OF DIMENSIONING AND TOLERANCING, SEE ASME Y14.5-2009	DATE 08MAR16	FIRST USED ON P7	STA	DWG SIZE A2 A054T673
					CAD SHEET 2 OF 2