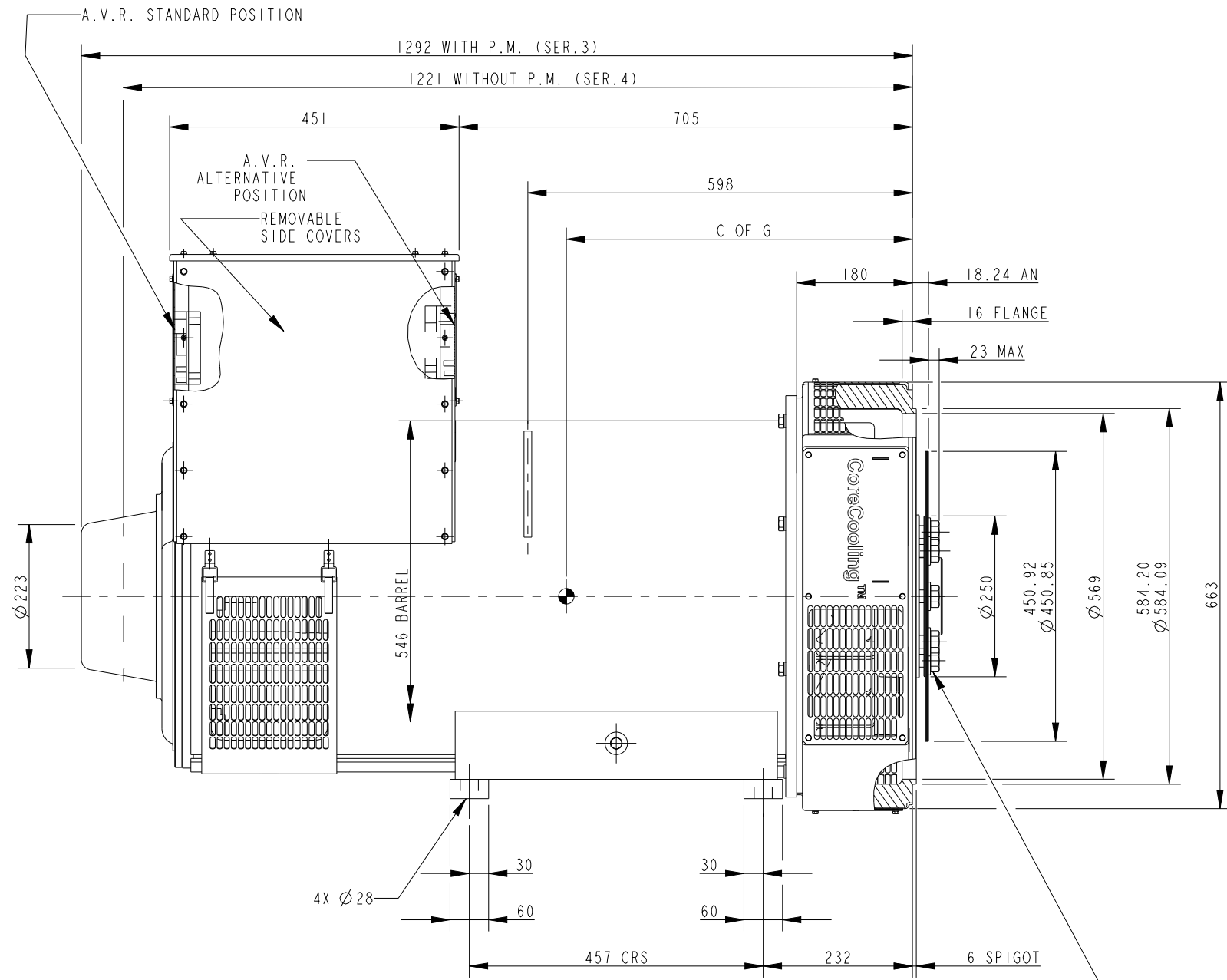


CORE	WEIGHT (KG)	C OF G
G	1190	545

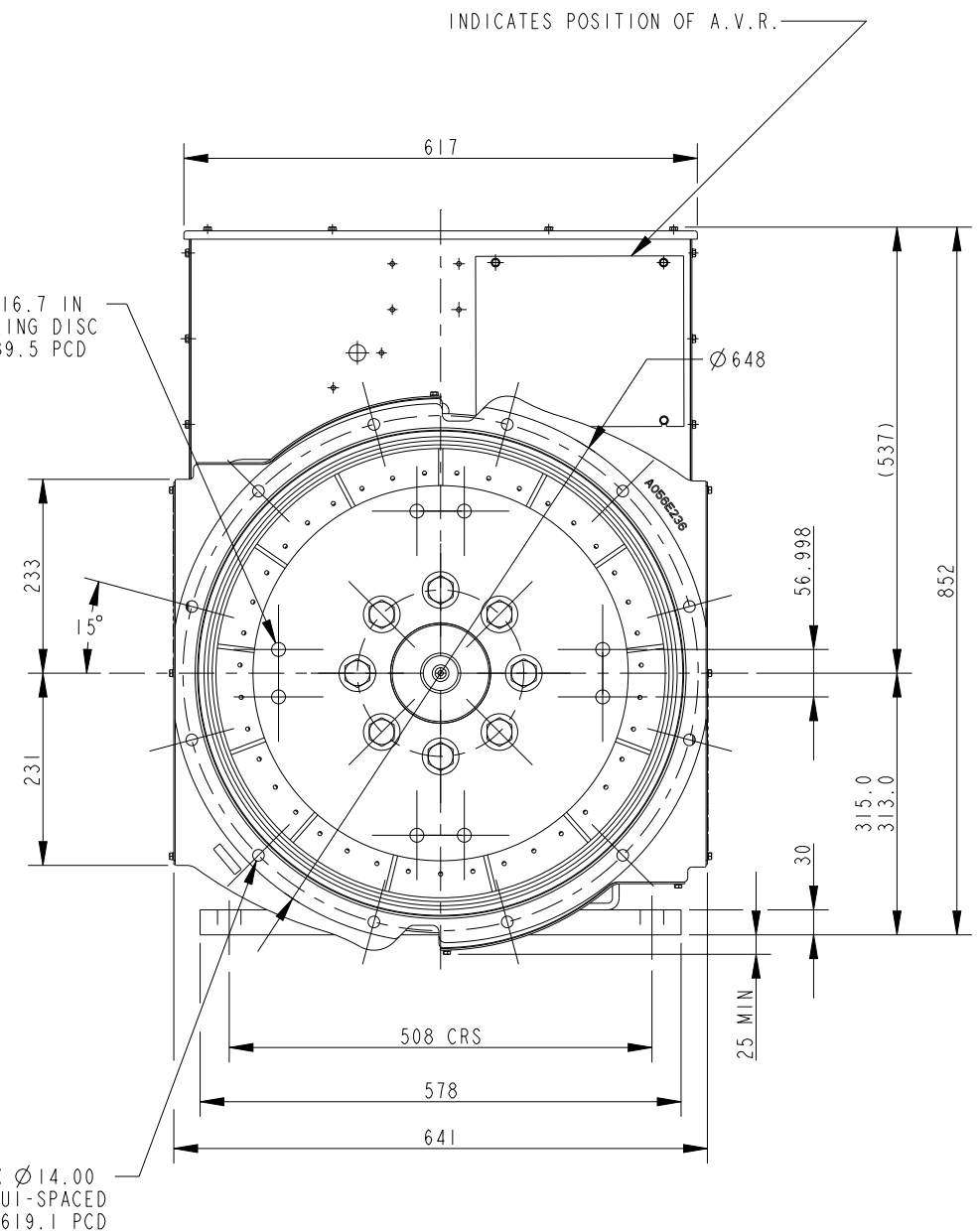
REL NO	REV	NO	REVISION	DWN	CKD	APVD	DATE
ECO-171865	C	1	ZONE B2, DIM 584.20/584.09 WAS 584.02/584.09	VS	PN	S_NARAYANAN	24AUG17

NOTE:-

1. CUSTOMER MAY CUT CABLE ENTRY HOLES AS REQUIRED IN ANY OF THE FOUR TERMINAL BOX SIDES SUBJECT TO POSITION OF A.V.R, TERMINALS ETC.



8X Ø 16.7 IN COUPLING DISC ON 389.5 PCD



4-PLATE COUPLING TOTAL THICKNESS 4.8 MM
HUB SECURING BOLTS TO BE TIGHTENED TO A TORQUE OF 48 kgf-m (479 N-m)

UNLESS OTHERWISE SPECIFIED, ALL DIMENSIONS ARE IN MILLIMETERS	SIM TO A056A742	DWN B_SURVE		CUMMINS GENERATOR TECHNOLOGIES	
	DO NOT SCALE PRINT	CKD A_BIRARI		DRAWING, GENERAL ASSEMBLY	
SCALE 0.167		APVD S_NARAYANAN	SITE CODE	S4LID G 1-BRG SAE0.5/17.75 STD T/BOX	
THIS DOCUMENT (AND THE INFORMATION SHOWN THEREON) IS CONFIDENTIAL AND PROPRIETARY AND SHALL NOT BE DISCLOSED TO OTHERS IN HARD COPY OR ELECTRONIC FORM, REPRODUCED BY ANY MEANS, OR USED FOR ANY PURPOSE WITHOUT WRITTEN CONSENT OF CUMMINS INC.	DATE 25 JAN 17	FIRST USED ON S4G	STA	DWG SIZE A2	A057B362
	FOR INTERPRETATION OF DIMENSIONING AND TOLERANCING, SEE ASME Y14.5-2009				CAD SHEET 1 of 1