

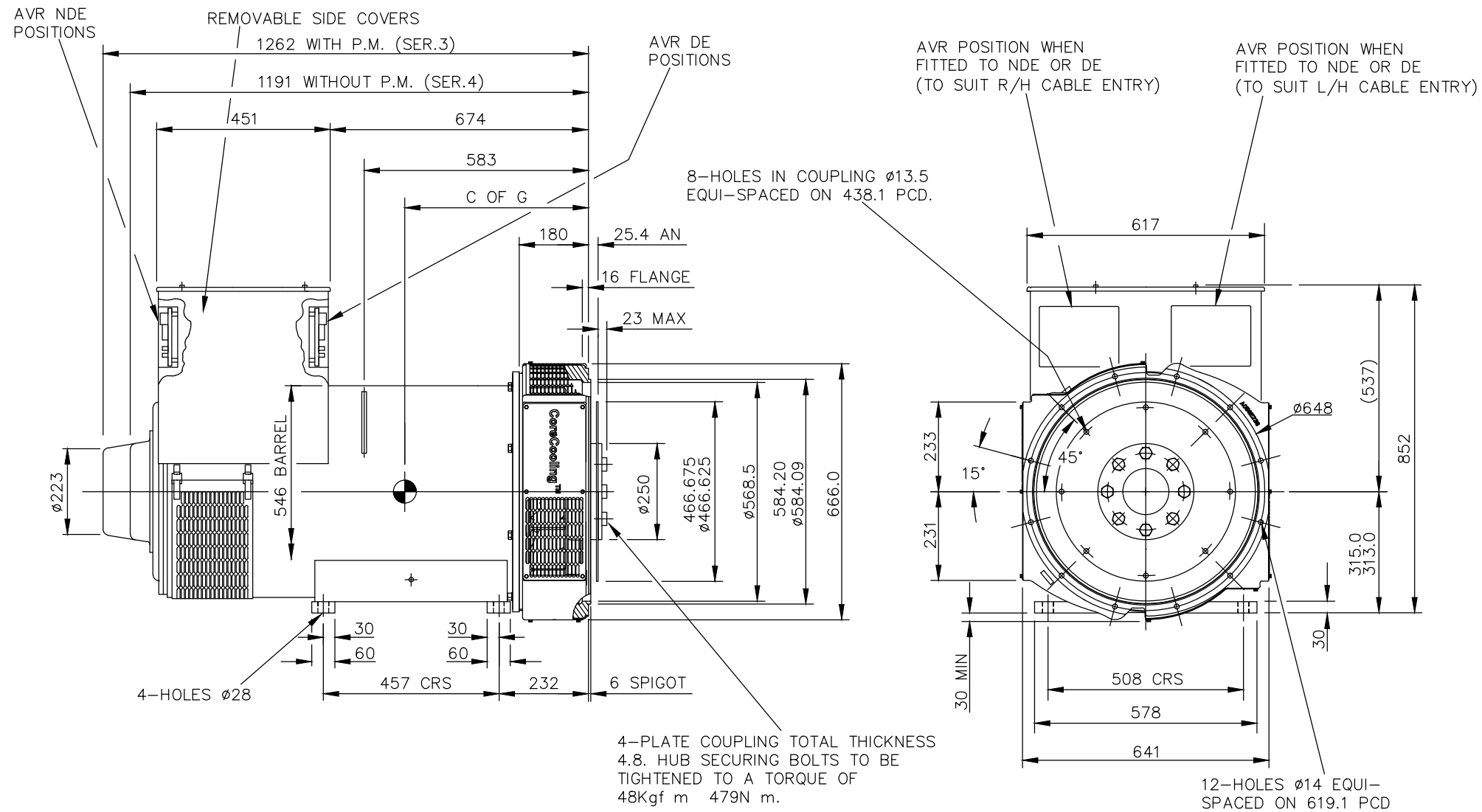
AutoCad

| | | |
|------|-------------|-------------|
| CORE | C OF G (mm) | WEIGHT (KG) |
| F | 530 | 1160 |

| | | | | | | | |
|------------|-----|----|--|-----|-----|-------------|---------|
| REL NO | REV | NO | REVISION | DWN | CKD | APVD | DATE |
| ECO-172207 | B | 1 | ZONE D4, ADDED WEIGHT (1160 KG) FOR F CORE | PK | PN | S_NARAYANAN | 13SEP17 |

NOTE: -

1. CUSTOMER MAY CUT CABLE ENTRY HOLES AS REQUIRED IN ANY OF THE FOUR TERMINAL BOX SIDES SUBJECTED TO POSITION OF A.V.R. TERMINALS ETC.



| | | | | | |
|--|---|------------------|-----------|------------------------------------|------------------|
| UNLESS OTHERWISE SPECIFIED, ALL DIMENSIONS ARE IN MILLIMETERS | SIM TO 41-4543 | DRAWN B_SURVE | | CUMMINS GENERATOR TECHNOLOGIES | |
| | DO NOT SCALE PRINT | CHECKED A_BIRARI | | DRAWING, GENERAL ASSEMBLY | |
| SCALE 1:10 | | APPROVED B_SURVE | SITE CODE | S4L1D F 1-BRG SAE0.5/14, STD T/BOX | |
| THIS DOCUMENT (AND THE INFORMATION SHOWN THEREON) IS CONFIDENTIAL AND PROPRIETARY AND SHALL NOT BE DISCLOSED TO OTHERS IN HARD COPY OR ELECTRONIC FORM. REPRODUCED BY ANY MEANS, OR USED FOR ANY PURPOSE WITHOUT WRITTEN CONSENT OF CUMMINS INC. | FOR INTERPRETATION OF DIMENSIONING AND TOLERANCING, SEE ASME Y14.5-2009 | DATE 26JAN17 | STA | DWG SIZE A4 | A057C390 |
| | | FIRST USED ON S4 | | | CAD SHEET 1 OF 1 |