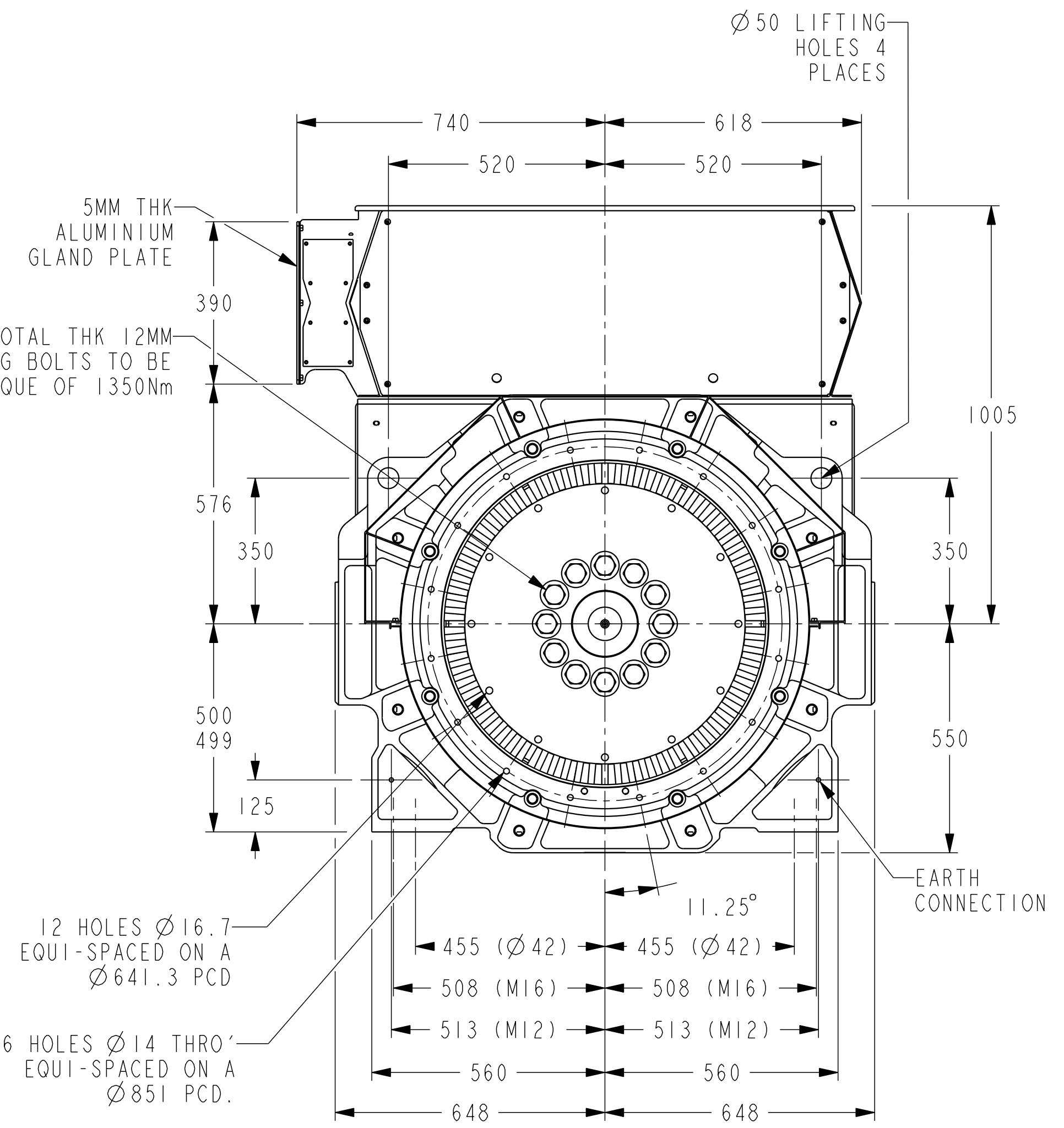
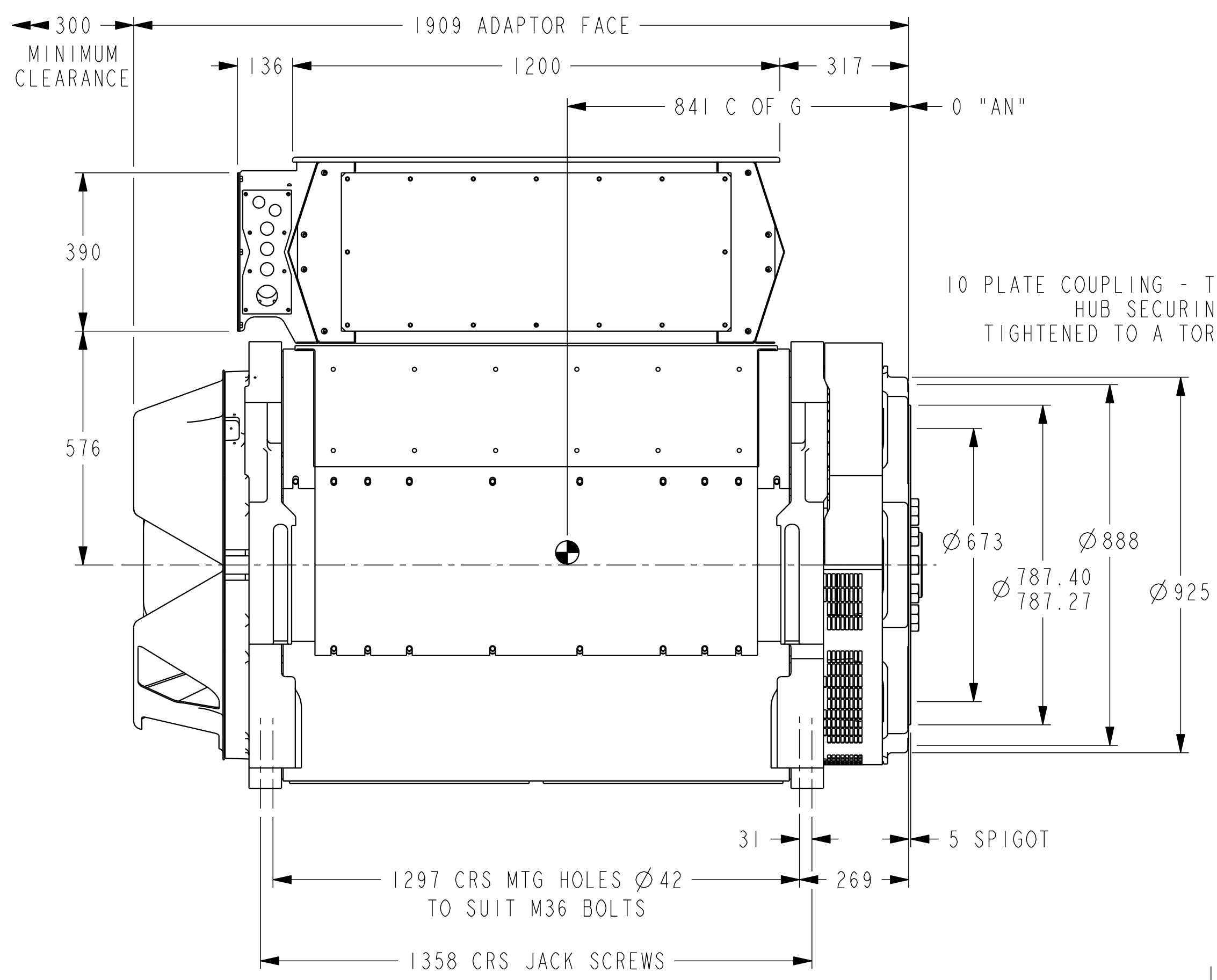
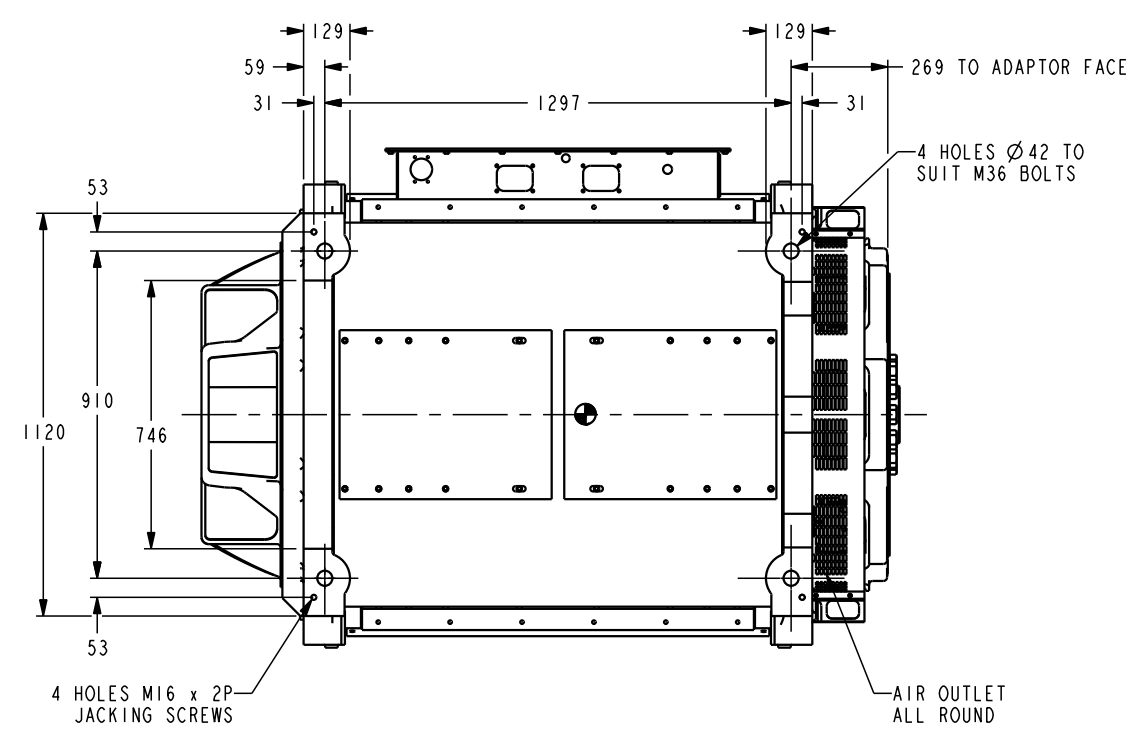
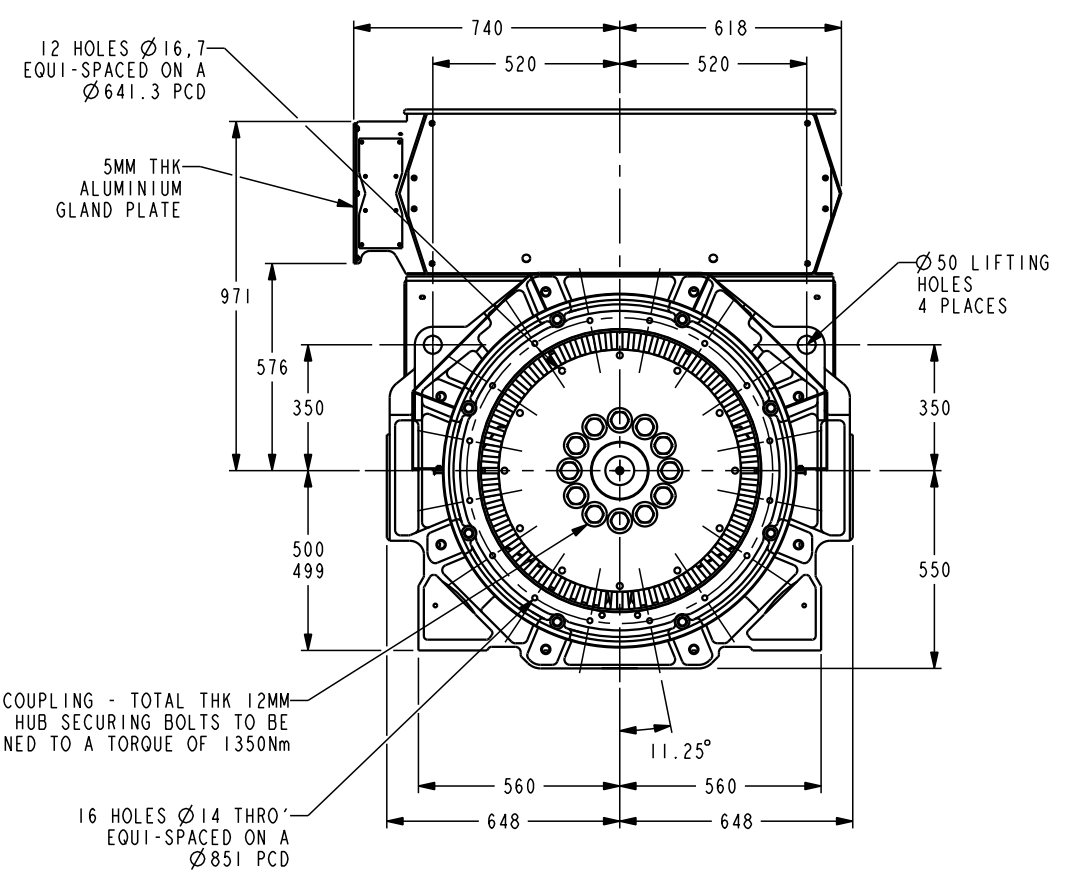
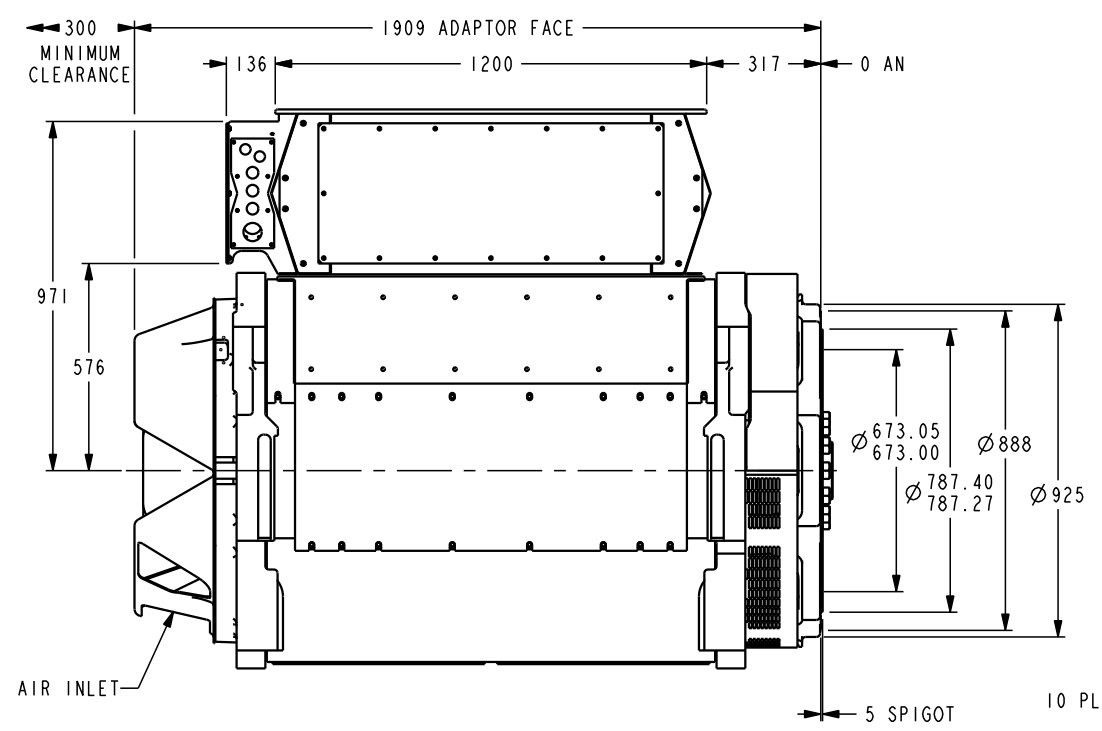
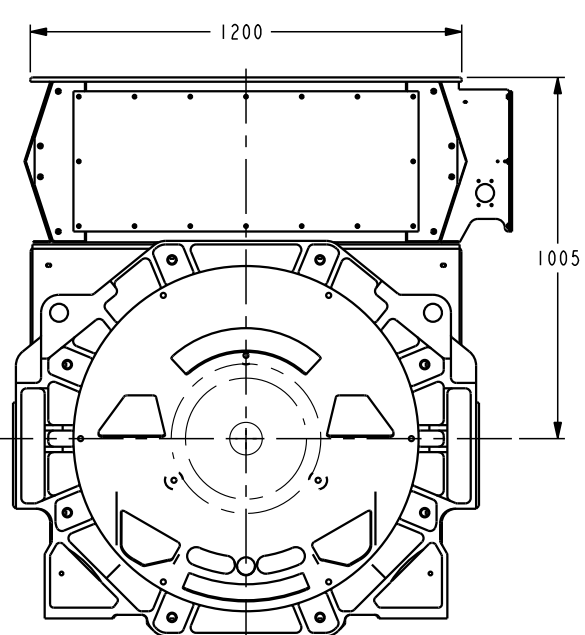
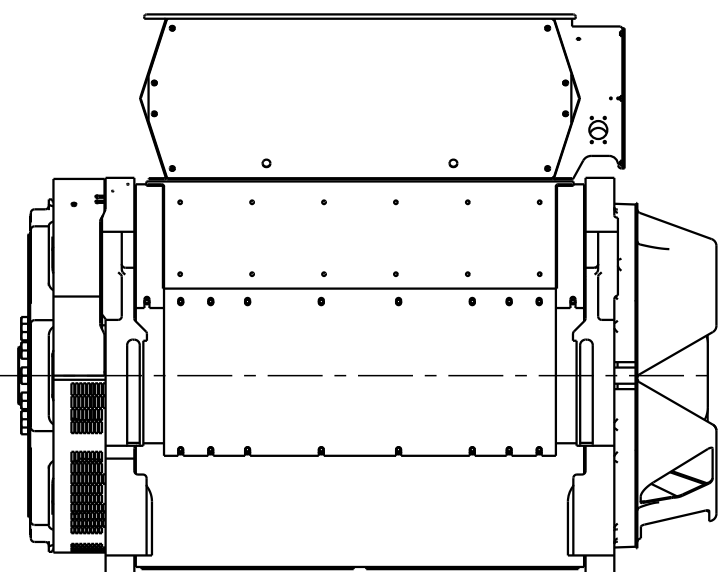
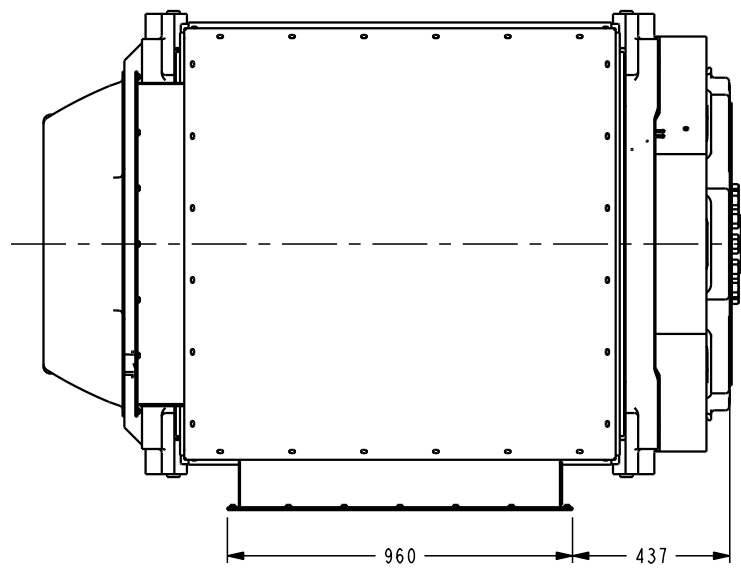


REL NO	REV	NO	REVISION	DWN	CKD	APVD	DATE
ECO-170675	A	1	PRODUCTION RELEASE	AS	AS	D.LEE	22JUN17



NOMINAL WEIGHT BASED ON CAD MODEL 5661KG; NOT FOR INSPECTION

UNLESS OTHERWISE SPECIFIED, ALL DIMENSIONS ARE IN MILLIMETERS	SIM TO	DWN A.SAVILL		CUMMINS GENERATOR TECHNOLOGIES	
	DO NOT SCALE PRINT	CKD A.SAVILL		DRAWING, GENERAL ASSEMBLY	
SCALE 1:10		APVD D.LEE	SITE CODE	P80 MV S CORE / INTEGRATED FOOT / SAE00/21	
THIS DOCUMENT (AND THE INFORMATION SHOWN THEREON) IS CONFIDENTIAL AND PROPRIETARY AND SHALL NOT BE DISCLOSED TO OTHERS IN HARD COPY OR ELECTRONIC FORM, REPRODUCED BY ANY MEANS, OR USED FOR ANY PURPOSE WITHOUT WRITTEN CONSENT OF CUMMINS INC.	FOR INTERPRETATION OF DIMENSIONING AND TOLERANCING, SEE ASME Y14.5-2009	DATE 22JUN17		STA	DWG SIZE A2
		FIRST USED ON			CAD SHEET 1 OF 2



NOMINAL WEIGHT BASED ON CAD MODEL 5661KG; NOT FOR INSPECTION

UNLESS OTHERWISE SPECIFIED, ALL DIMENSIONS ARE IN MILLIMETERS	DO NOT SCALE PRINT	SCALE 1:1.0	DESIGNED BY A. SAVILL	APPD A. SAVILL	DATE 22 JUN 17	SITE CODE	STA	REV	NO	DESCRIPTION
			CUMMINS GENERATOR TECHNOLOGIES		DRAWING GENERAL ASSEMBLY		P80 WY 5 CORE / INTEGRATED FOOT / SAE00021		CAD SHEET 2 of 2	
			A058C271							