

Document Generated: 05SEP2023 11:59 GMT

Cummins Data Classification:
Cummins Confidential

This document (and the information shown thereon) is **Confidential and Proprietary** and shall not be disclosed to others in hard copy or electronic form, reproduced by any means, or used for any purpose without written consent of Cummins Inc.

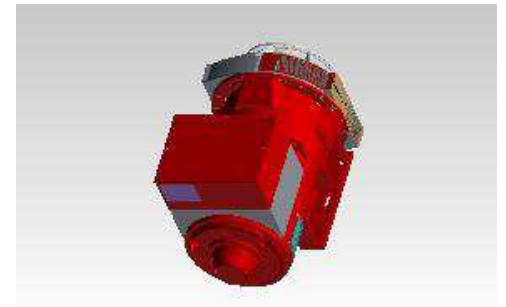
Part Number: **A058G278** Part Revision: **E**
 Part Name: **ARRANGEMENT, GENERATOR GENERAL**
 Drawing Category: **Outline (Tabulation)** State: **Released** Sheet 1 of 2

Cummins Generator Technologies		
DIMENSIONS ARE IN: MILLIMETERS () ARE IN: -		
DRAWING SPECIFICATION DESCRIPTION SOLID-G/H, 2B, SAE O, STD BOX, 400CH		SIZE: A0 (SCALE: 1:200) DIMENSIONING AND TOLERANCING PER: ASME Y14.5-2009 THIRD ANGLE PROJECTION
CAD SYSTEM PTC® Creo® Parametric		



Part Number: A058G278

Change Notice	CN00105504	Alternates	
Manufacturer Part (MEP)	No	Usage	Production Only
Release Phase Code	Production (P)	Drawing Specification	Number: DSA058G278
External Regulations	No External Regulation		Revision: E



3D image provided when available for visual reference only.

Drawing Revision Information

Description of Change(s)

Note: Change information is provided for reference only and does not supersede the drawing's primary content.

DRAWING - NOTE AMENDED TO READ 32 HOLES IN ADAPTER MATING FLANGE (WAS 16). ANGULAR POSITIONS OF HOLES (SAE POSITIONS) CLARIFIED.

PART - NUMBER OF HOLES IN ADAPTER MATING FLANGE (TO ENGINE) INCREASED FROM 16 TO 32.

Drawing Authorization

Drafter	Tony Charles Clarke	Date	31AUG2023
Checker	Darren George Robert Lee	Date	05SEP2023
Approver	NO APPROVAL REQUIRED	Date	

Document Generated: 05SEP2023 11:59 GMT