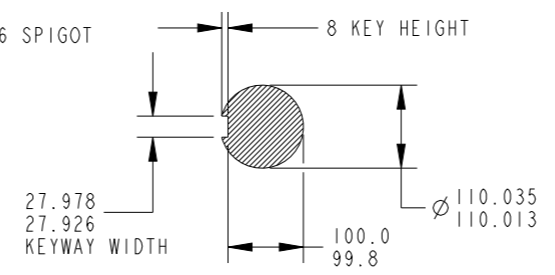
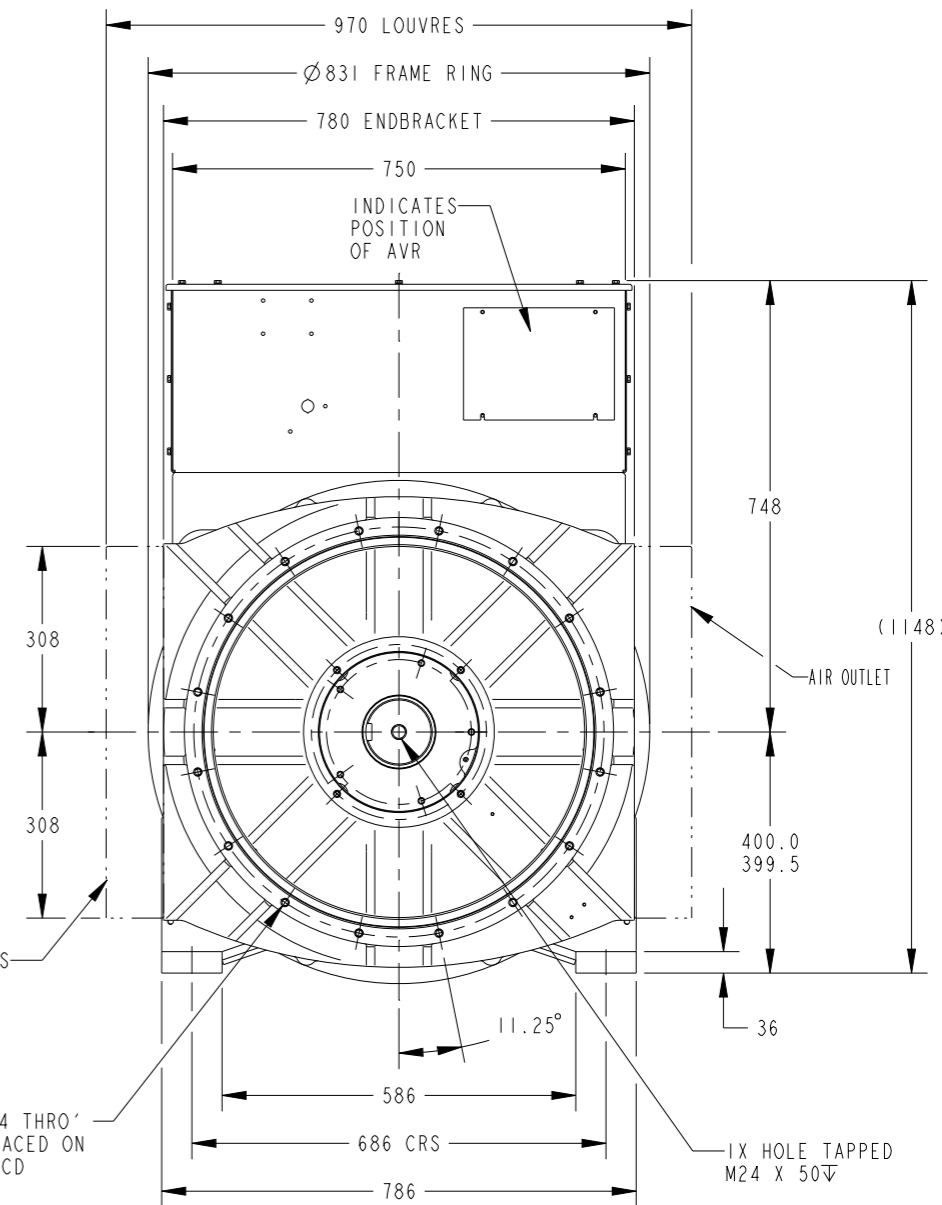
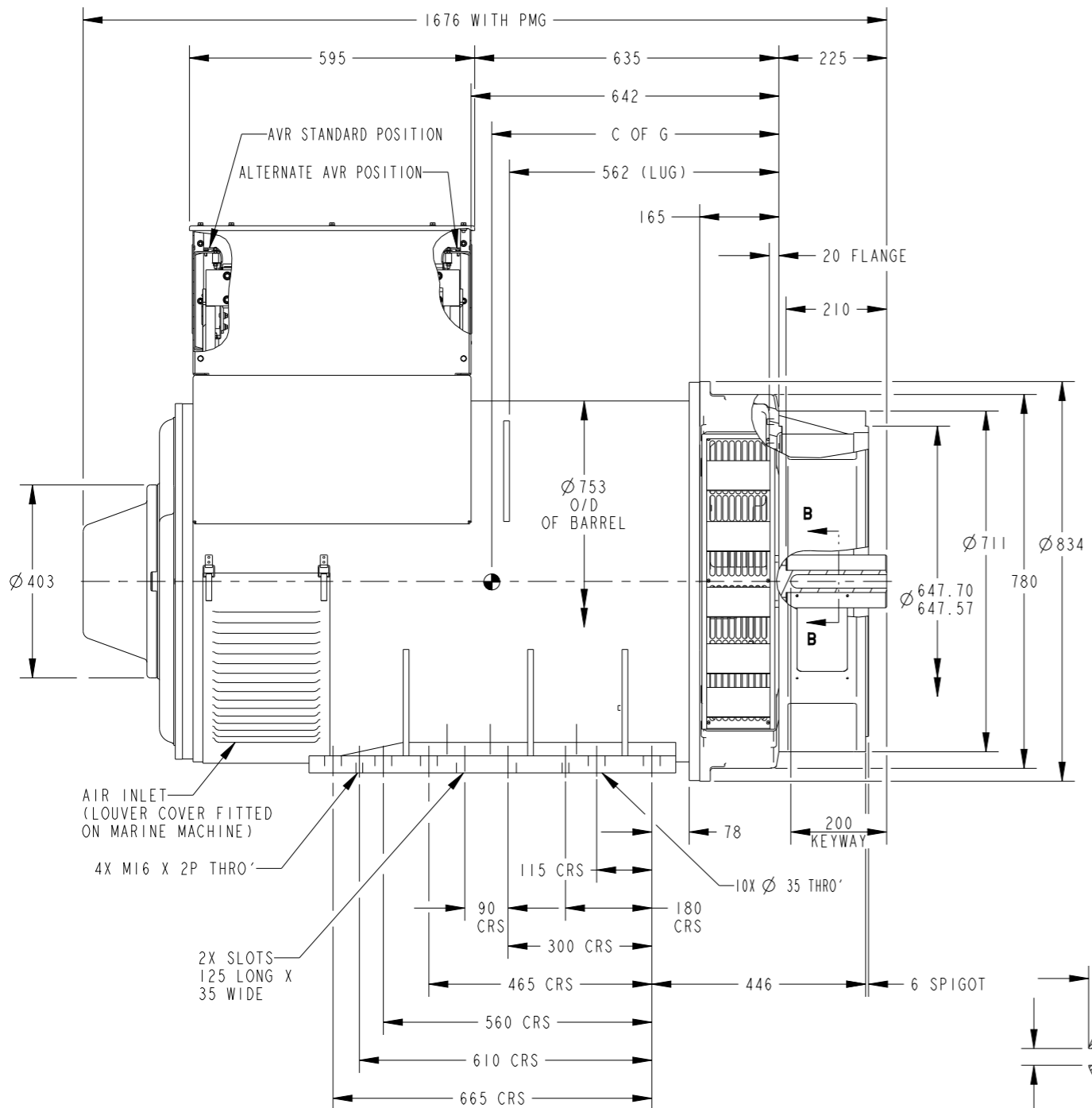


CORE	WEIGHT(KG)	C OF G
E	2020	563
F	2326	587

REL NO	REV	NO	REVISION	DWN	CKD	APVD	DATE
ECO-175830	A	1	RELEASED FOR PRODUCTION	KP	RH	I.SAUNDATTI	03APR18

NOTE:  
1. CUSTOMER MUST ENSURE THAT AIR INLET AND OUTLET POSITIONS ARE NOT OBSTRUCTED



DETAILS OF SHAFT EXTENSION SECTION B-B SCALE 0.150

UNLESS OTHERWISE SPECIFIED, ALL DIMENSIONS ARE IN MILLIMETERS	SIM TO -	DWN K_PATIL		CUMMINS GENERATOR TECHNOLOGIES	
	DO NOT SCALE PRINT	CKD R_HANABAR		DRAWING, GENERAL ASSEMBLY	
SCALE 0.120		APVD I_SAUNDATTI	SITE CODE	S6LIM-E/F, 2B, SAE 0, STD BOX, (MARINE)	
THIS DOCUMENT (AND THE INFORMATION SHOWN THEREON) IS CONFIDENTIAL AND PROPRIETARY AND SHALL NOT BE DISCLOSED TO OTHERS IN HARD COPY OR ELECTRONIC FORM, REPRODUCED BY ANY MEANS, OR USED FOR ANY PURPOSE WITHOUT WRITTEN CONSENT OF CUMMINS INC.	DATE 03APR18	FIRST USED ON S6	STA	DWG SIZE A2	A059X858
	FOR INTERPRETATION OF DIMENSIONING AND TOLERANCING, SEE ASME Y14.5-2009				CAD SHEET 1 of 1