

Document Generated: 06MAY2020 10:55 GMT

Cummins Data Classification:
Cummins Confidential

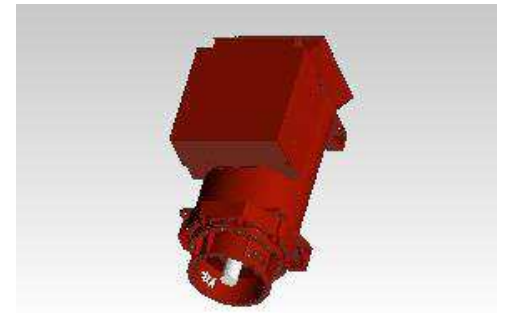
This document (and the information shown thereon) is **Confidential and Proprietary** and shall not be disclosed to others in hard copy or electronic form, reproduced by any means, or used for any purpose without written consent of Cummins Inc.

Part Number: **A062U837** Part Revision: **C**
 Part Name: **ARRANGEMENT, GENERATOR GENERAL**
 Drawing Category: **Outline** State: **Released** Sheet 1 of 2



Part Number: A062U837

Change Notice	CN00017575	Alternates	
Manufacturer Part (MEP)	No	Usage	Production and Service
Release Phase Code	Production (P)	Drawing Specification	DS47004604
External Regulations	No External Regulation		



3D image provided when available for visual reference only.

Associated Specifications

Number	Name	Type	Category	Sub-Category
ESA030B356	SPECIFICATION,MATERIAL	Engineering Specification	Material Specification	Prohibited and Restricted Prohibited and Restricted

Drawing Revision Information

Description of Change(s)
M12 EARTH CONNECTION HOLES WAS M20.

Drawing Authorization

Drafter	Mihai-Cristian Ilinca	Date	06MAY2020
Checker	Silviu-Ionut Nanau	Date	06MAY2020
Approver	NO APPROVAL REQUIRED	Date	

Document Generated: 06MAY2020 10:55 GMT