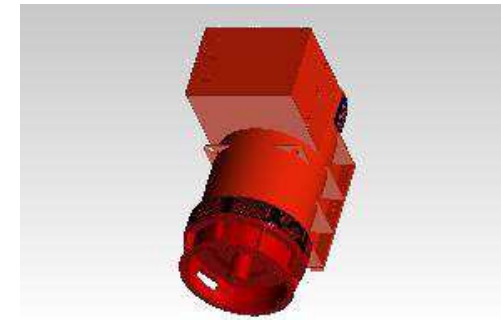


Document Generated: 18JUN2019 12:17 GMT



Part Number: A063D146

Change Notice	CN00005914	Alternates	
Manufacturer Part (MEP)	No	Usage	Production Only
Release Phase Code	Production (P)	Drawing Specification	DS47010615
External Regulations	No External Regulation		



3D image provided when available for visual reference only.

Associated Specifications

Number	Name	Type	Category	Sub-Category
ESA030B356	SPECIFICATION,MATERIAL	Engineering Specification	Material Specification	Prohibited and Restricted Prohibited and Restricted

Drawing Revision Information

Description of Change(s)
PRODUCTION RELEASE

Drawing Authorization

Drafter		Date	17JUN2019
Checker	Umesh Krushnarao Dagwale	Date	18JUN2019
Approver	NO APPROVAL REQUIRED	Date	

Document Generated: 18JUN2019 12:17 GMT