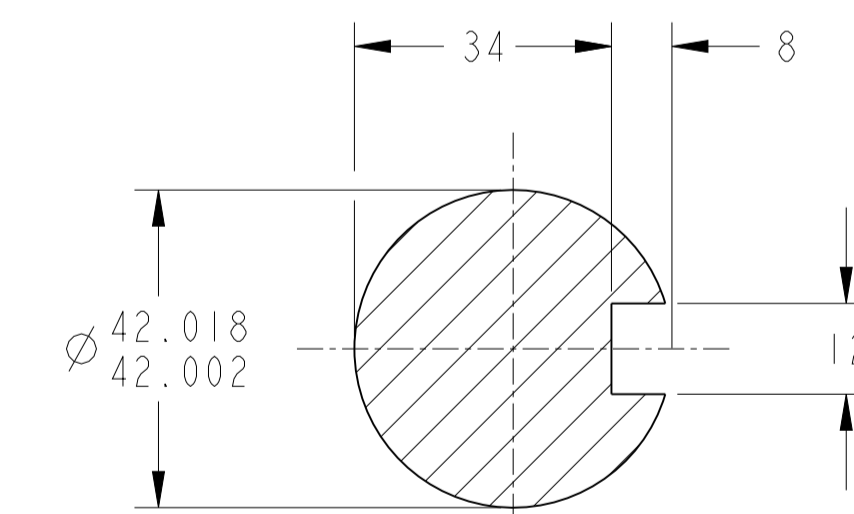
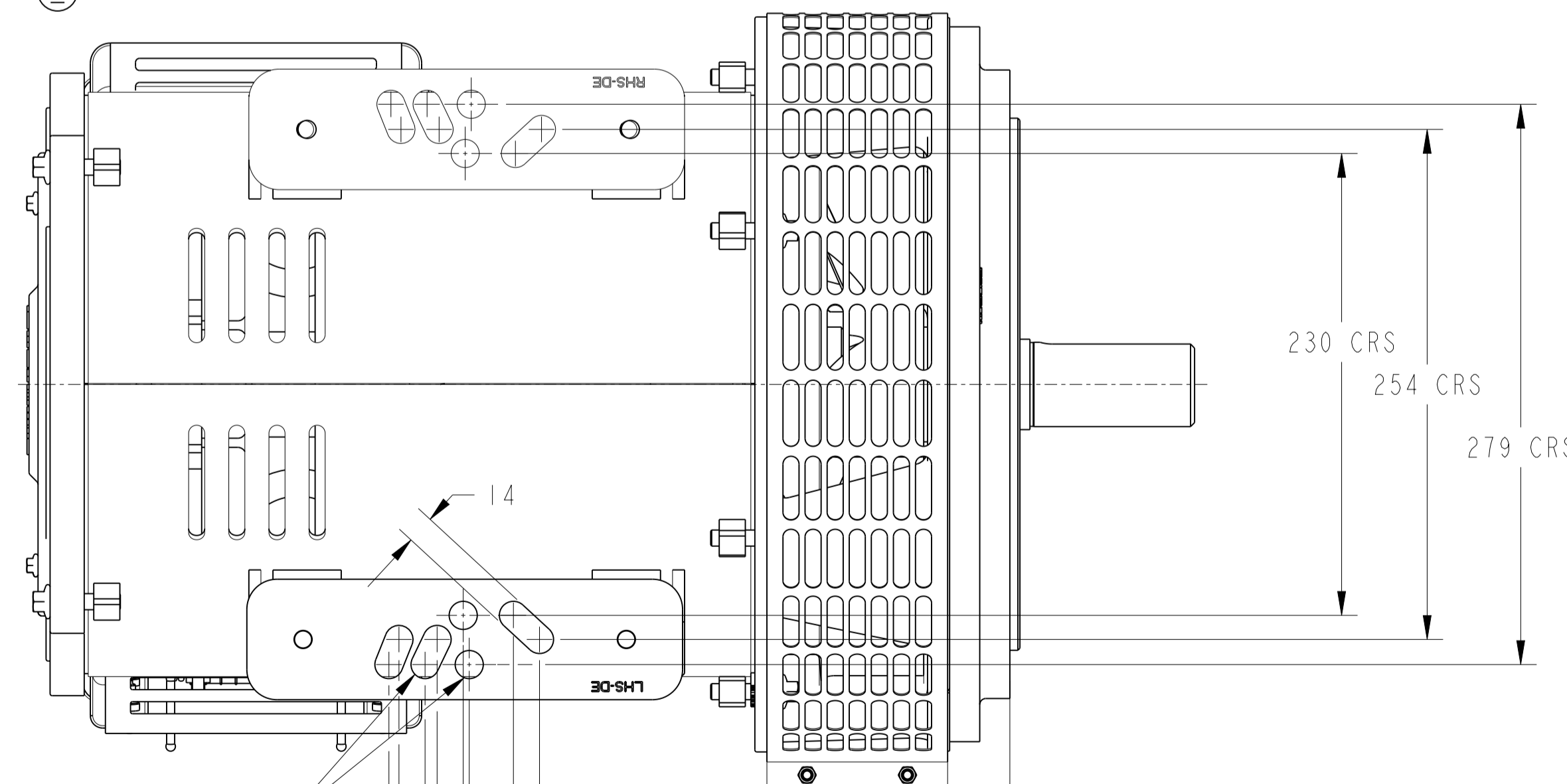
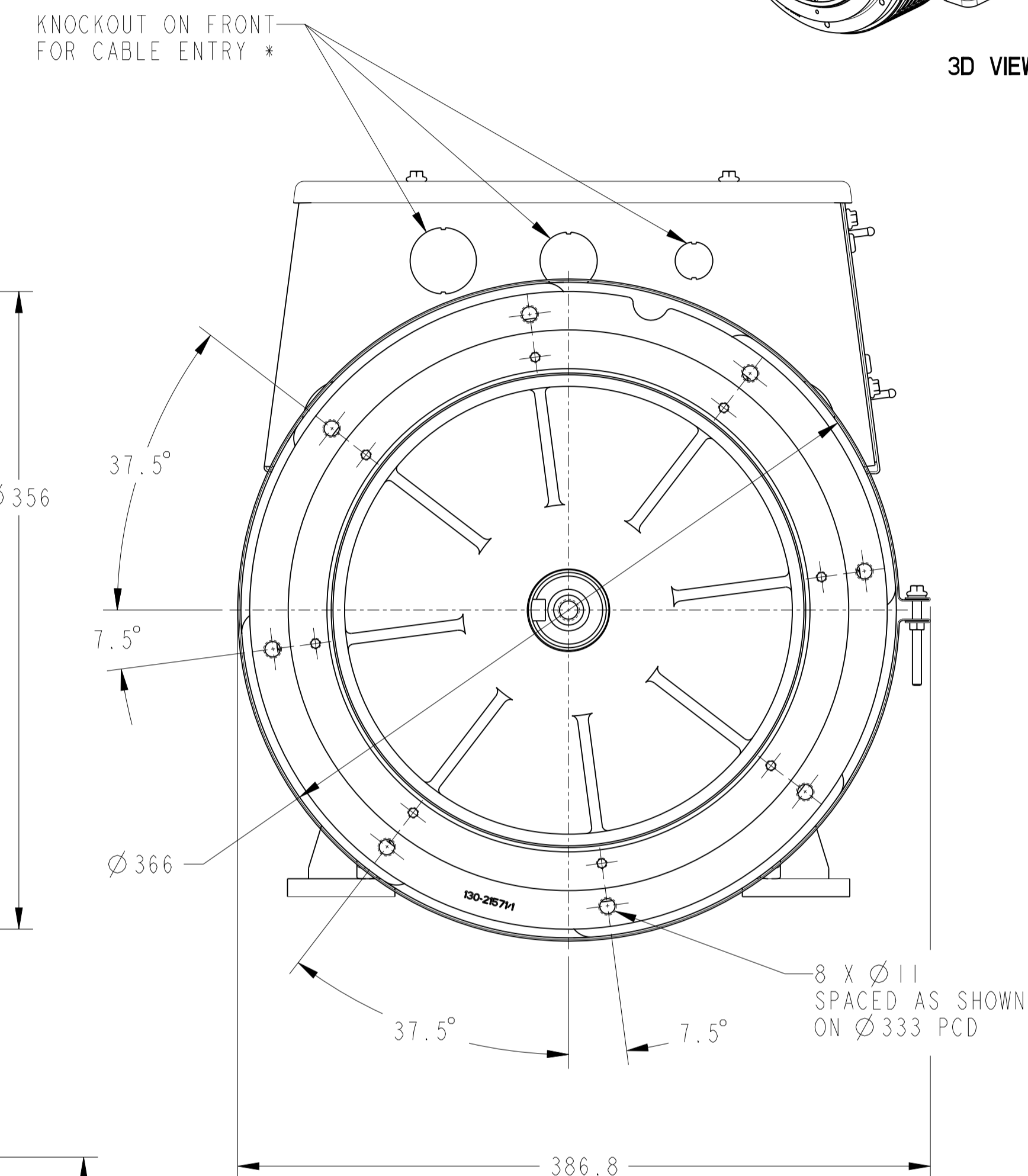
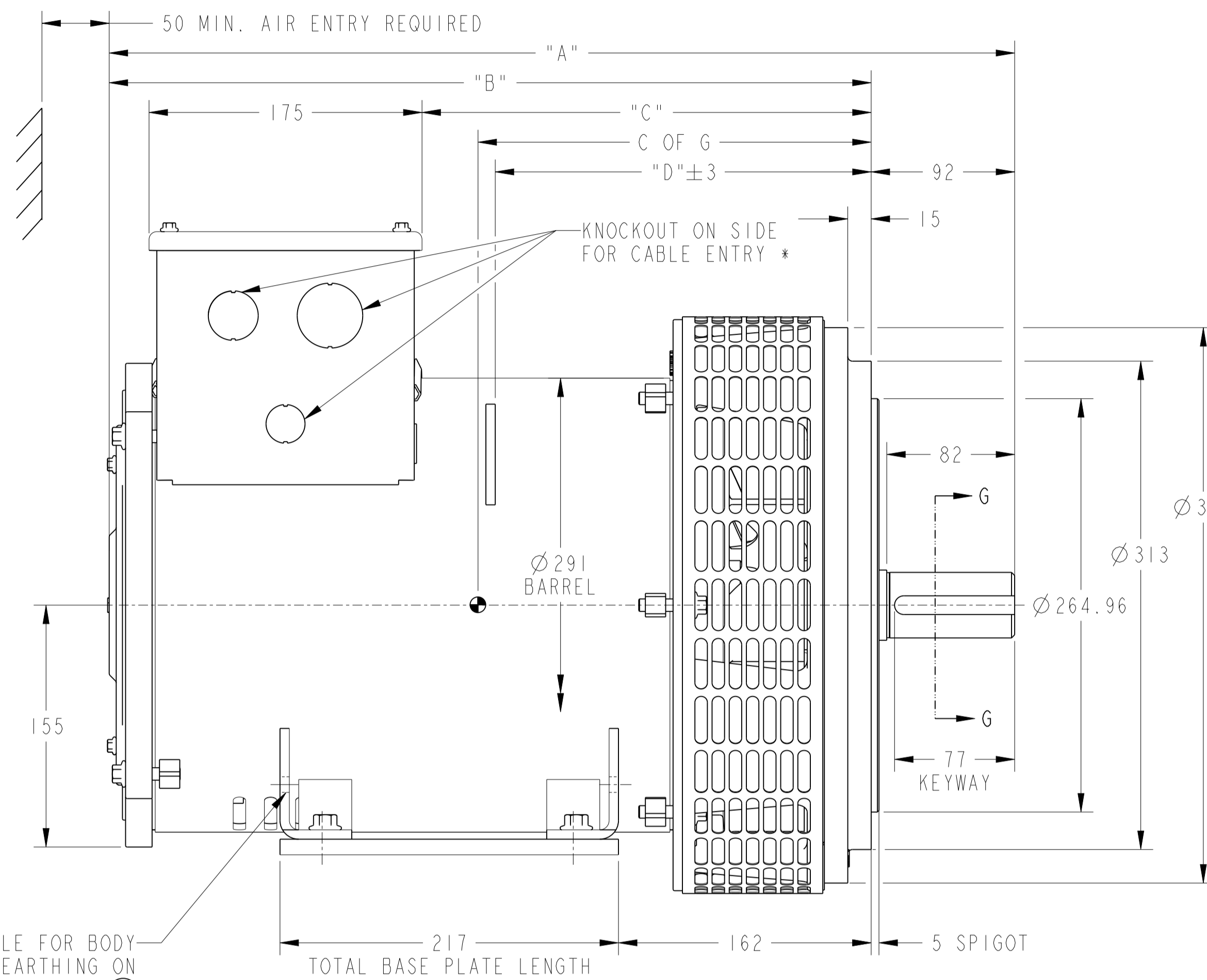
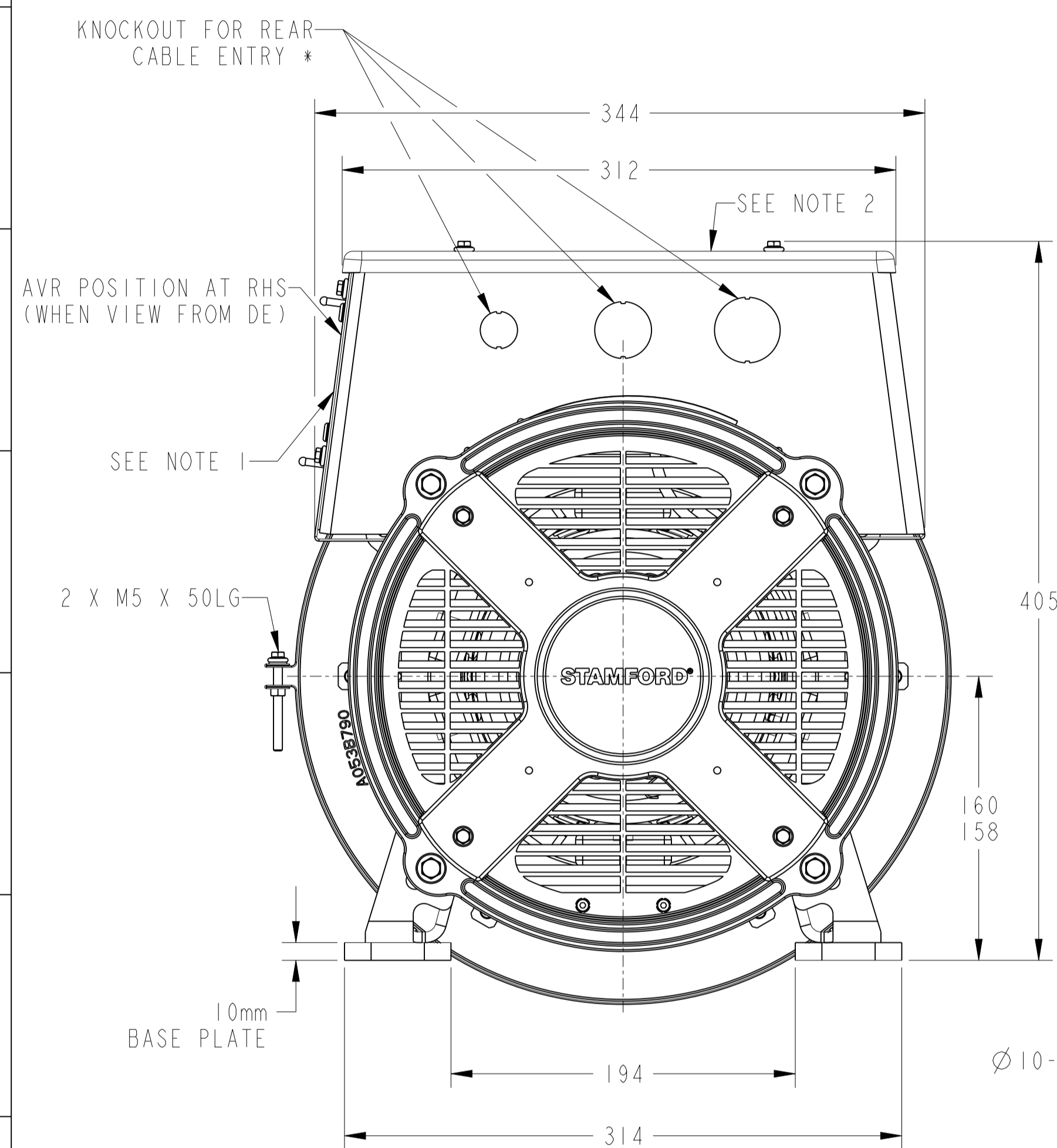
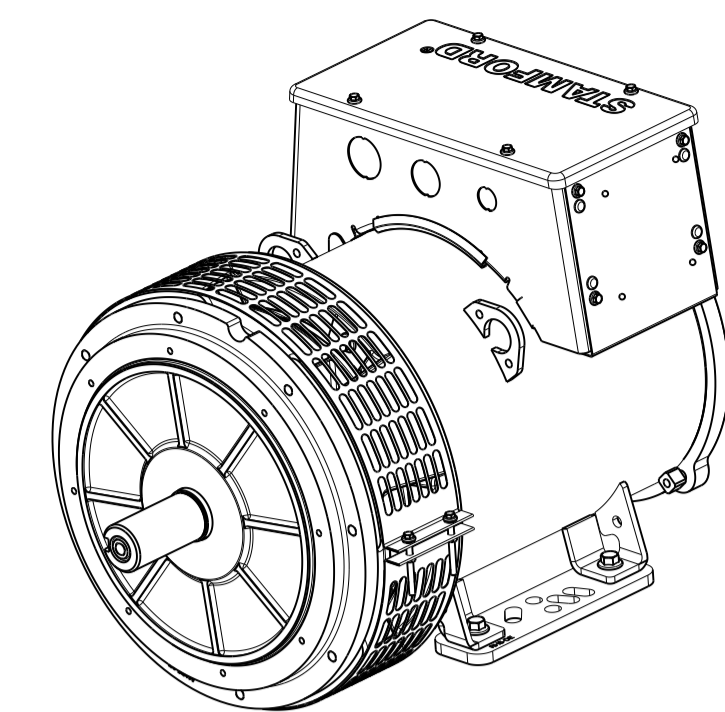


TABULATION							
PART NO.	CORE	DIM "A"	DIM "B"	DIM "C"	DIM "D"	C OF G	WEIGHT(Kg)
A077E015	F	580.5	488.5	287.8	241	229	112
A077E016	G	580.5	488.5	287.8	241	228	118
A077E019	K	600.5	508.5	307.8	261	239	124
A077G140	M	615.5	523.5	322.8	276	246	135
A077G403	P	635.5	543.5	342.8	296	256	144
A077F202	U	665.5	573.5	372.8	326	271	152



SHAFT EXTENSION DETAILS SECTION G-G

NOTES:

1. REMOVABLE COVER FOR ACCESS TO AVR
2. REMOVABLE COVER FOR ACCESS TO MAIN TERMINALS
3. \* FOR KNOCKOUT DETAILS REFER TERMINAL BOX DRAWING
4. CUSTOMER MUST ENSURE THAT AIR INLET & OUTLET POSITIONS ARE NOT OBSTRUCTED

PART NUMBER: A077G140	PART REVISION: A
PART NAME: ARRANGEMENT_GENERATOR GENERAL	
DRAWING CATEGORY: OUTLINE (TABULATION)	
STATE: RELEASED	SHEET: 1 OF 2
CUMMINS DATA CLASSIFICATION: CUMMINS CONFIDENTIAL	
THIS DOCUMENT (AND THE INFORMATION SHOWN THEREON) IS CONFIDENTIAL AND PROPRIETARY AND SHALL NOT BE DISCLOSED TO OTHERS IN HARD COPY OR ELECTRONIC FORM, REPRODUCED BY ANY MEANS, OR USED FOR ANY PURPOSE WITHOUT WRITTEN CONSENT OF CUMMINS INC.	

DRAWING SPECIFICATION DESCRIPTION		Cummins Generator Technologies	
SOL2, 2B, 4P, NO ADAPTER			
DIMENSIONS ARE IN: MILLIMETERS	SIZE: A1	SCALE: 1:3	 THIRD ANGLE PROJECTION
[ ] ARE IN: -			

4

3

2

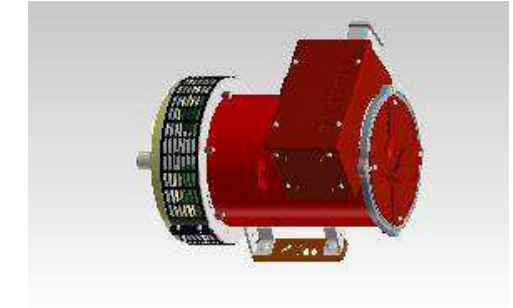
1

D



Part Number: A077G140

Change Notice	CN00158105	Alternates	
Manufacturer Part (MEP)	No	Usage	Production Only
Release Phase Code	Production (P)	Drawing Specification	Number: DS47162913
External Regulations	No External Regulation		Revision: A



3D image provided when available for visual reference only.

C

Drawing Revision Information

<b>Description of Change(s)</b> Note: Change information is provided for reference only and does not supersede the drawing's primary content.
SEE CHANGE NOTICE.
PRODUCTION RELEASE

Drawing Authorization

Drafter	Aishwarya Rajaram Shelar	Date	21MAR2025
Checker	Kuldeep Dilip Pawar	Date	21MAR2025
Approver	Alin Dumitru Visian	Date	25MAR2025

B

A

Cummins Data Classification: **Cummins Confidential** This document (and the information shown thereon) is **Confidential and Proprietary** and shall not be disclosed to others in hard copy or electronic form, reproduced by any means, or used for any purpose without written consent of Cummins Inc.

Part Number: **A077G140** Part Revision: **A**  
 Part Name: **ARRANGEMENT,GENERATOR GENERAL**  
 Drawing Category: **Outline (Tabulation)** State: **Released** Sheet 2 of 2

4

3

2

1