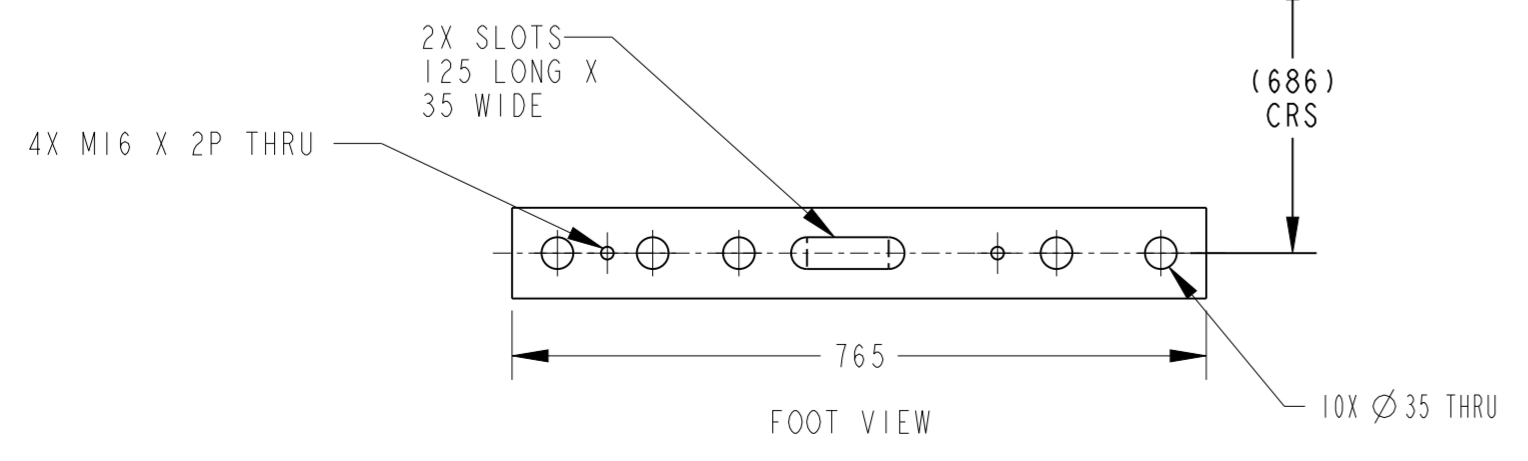
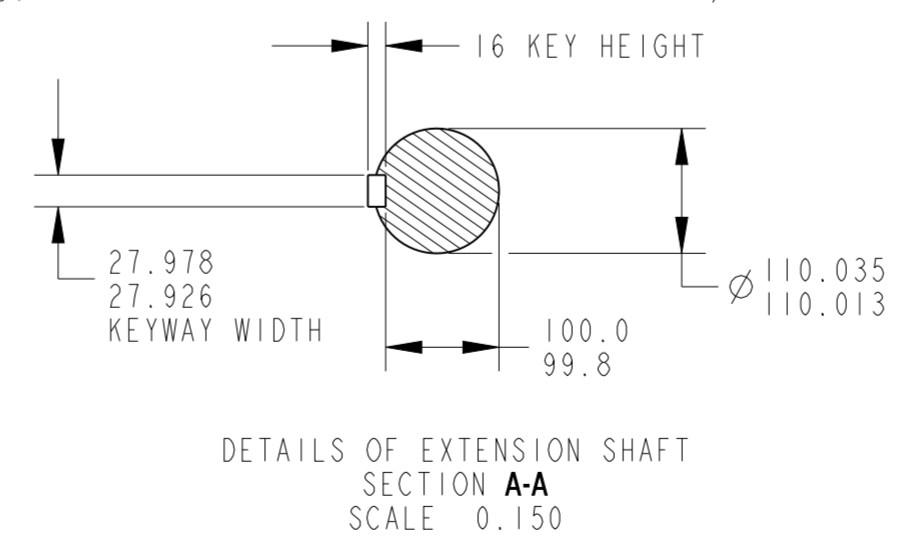
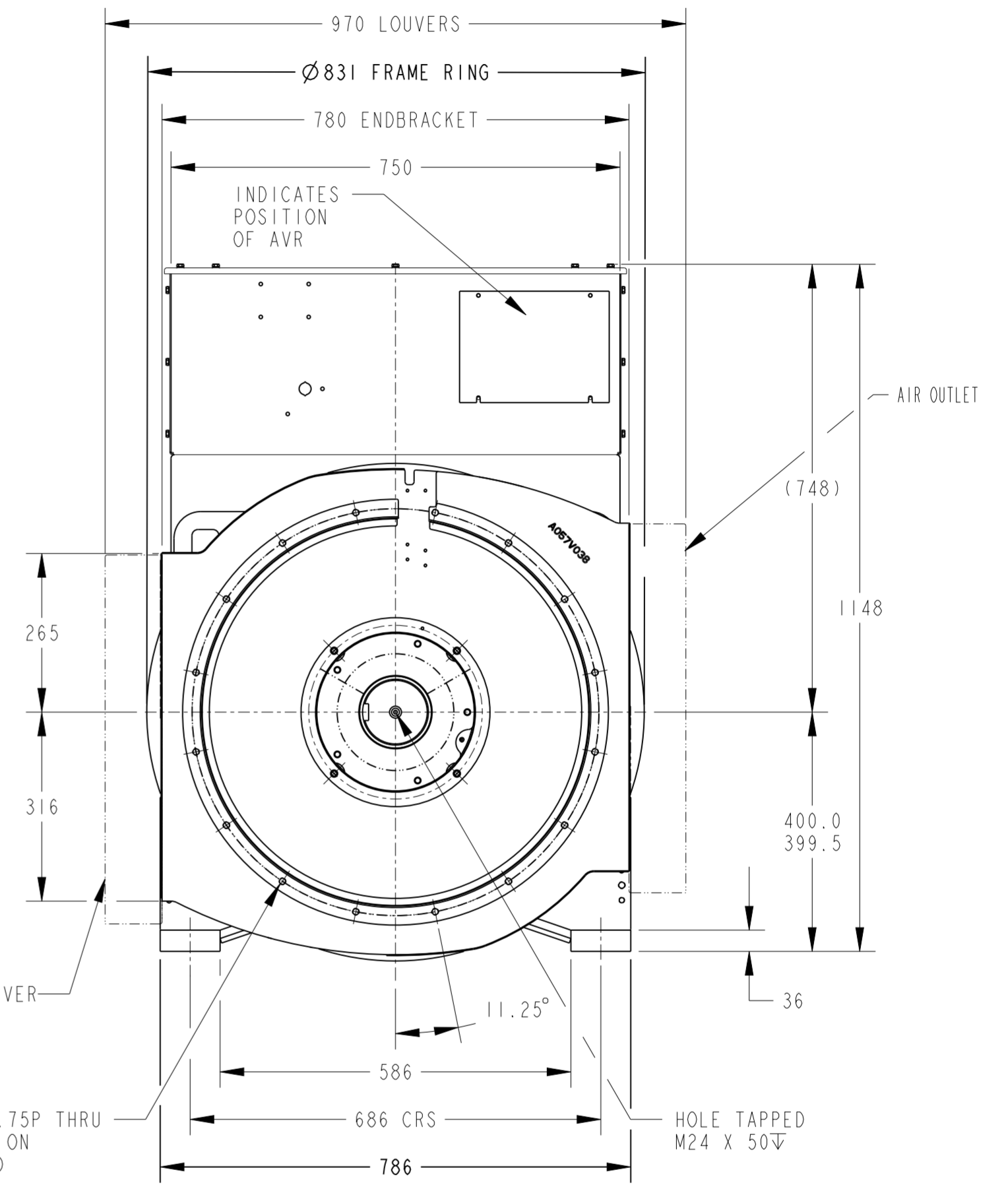
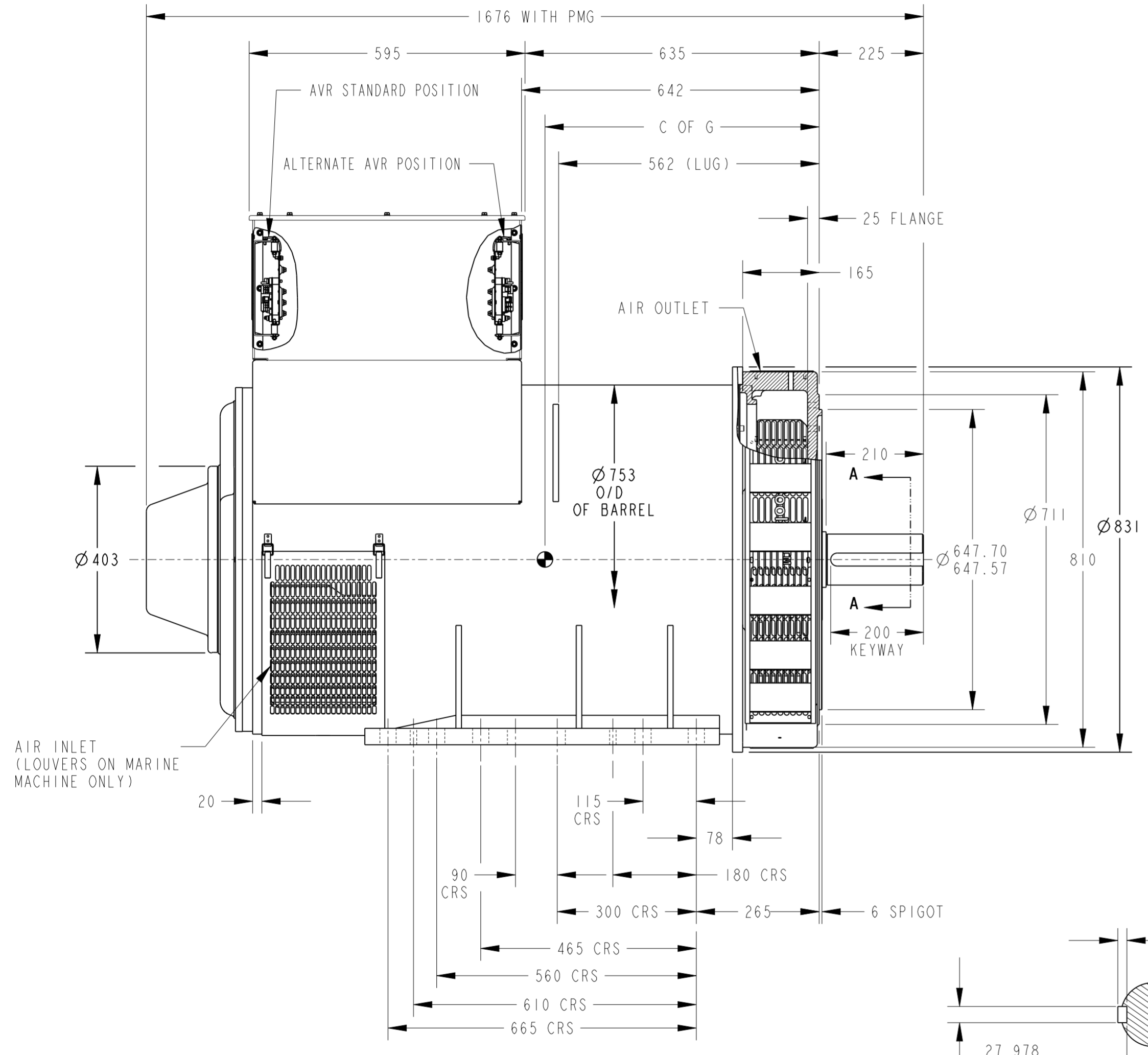


CORE	WEIGHT (KG)	C OF G
E	2102	579
F	2409	603

NOTE:  
1. CUSTOMER MUST ENSURE THAT AIR INLET AND OUTLET POSITIONS ARE NOT OBSTRUCTED



### Cummins Generator Technologies



DIMENSIONS ARE IN: MILLIMETERS  
[ ] ARE IN: -

SIZE: **A2** SCALE: 0.120

DIMENSIONING AND TOLERANCING PER:  
ASME Y14.5-2009

THIRD ANGLE PROJECTION

CAD SYSTEM  
PTC® Creo® Parametric

DRAWING SPECIFICATION DESCRIPTION  
S6-E/F, 2B, SAE NONE, STD BOX, 400 CH