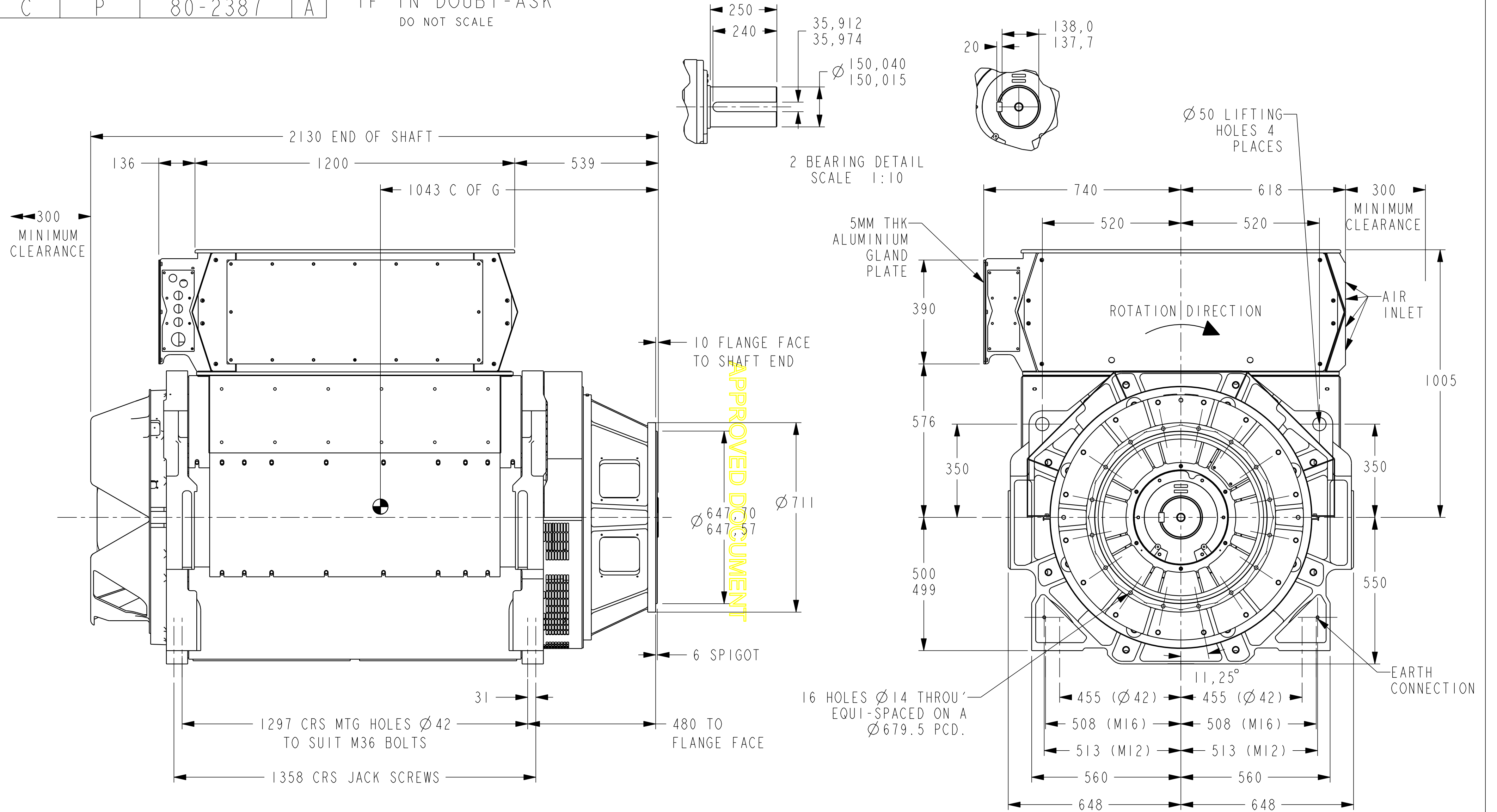


IF IN DOUBT-ASK
DO NOT SCALE

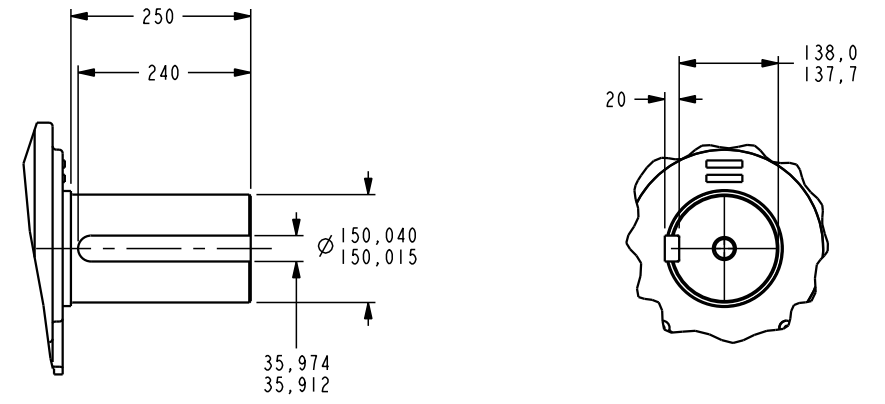
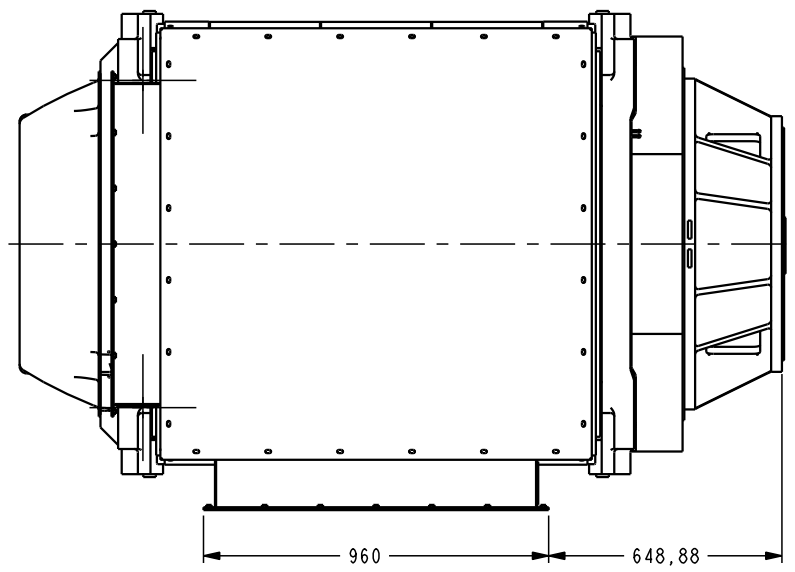


CONFIDENTIAL PROPERTY OF
CUMMINS GENERATOR TECHNOLOGIES LTD

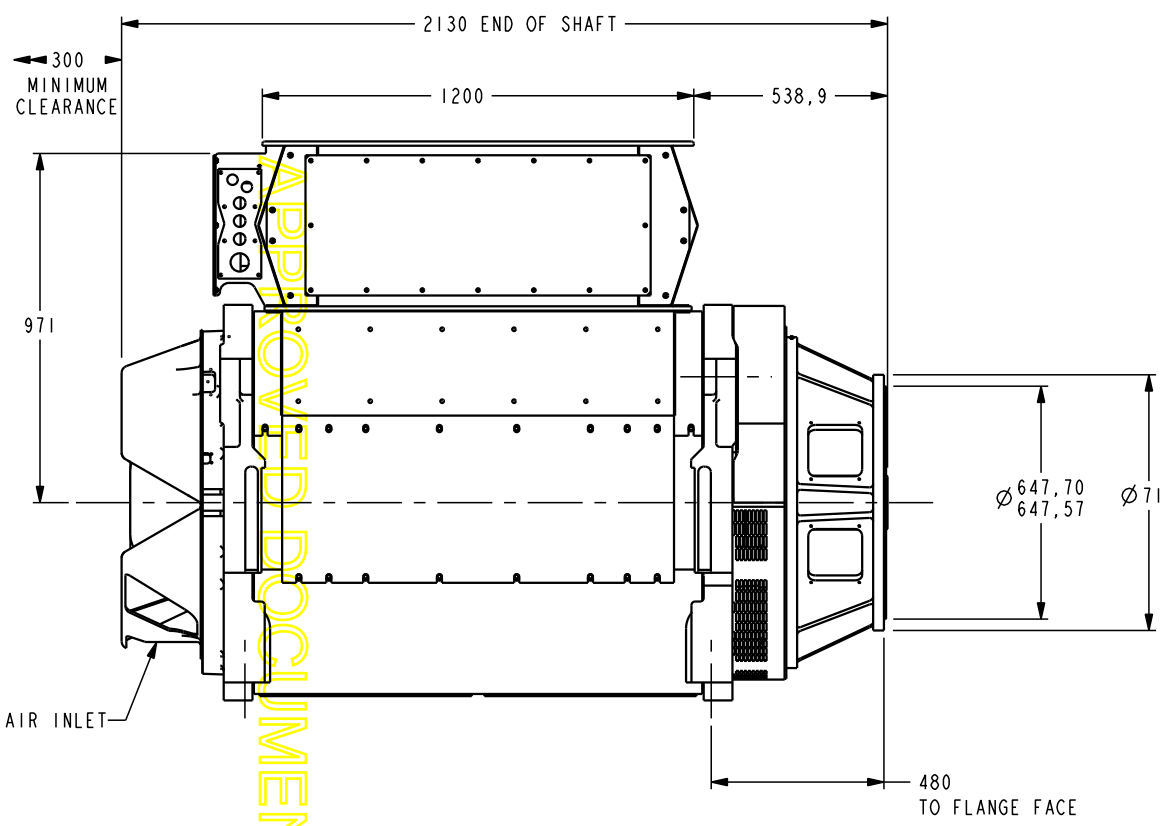
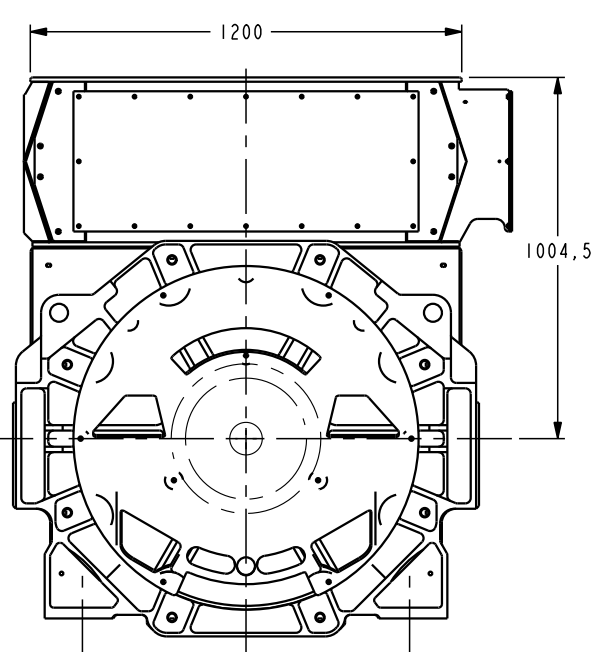
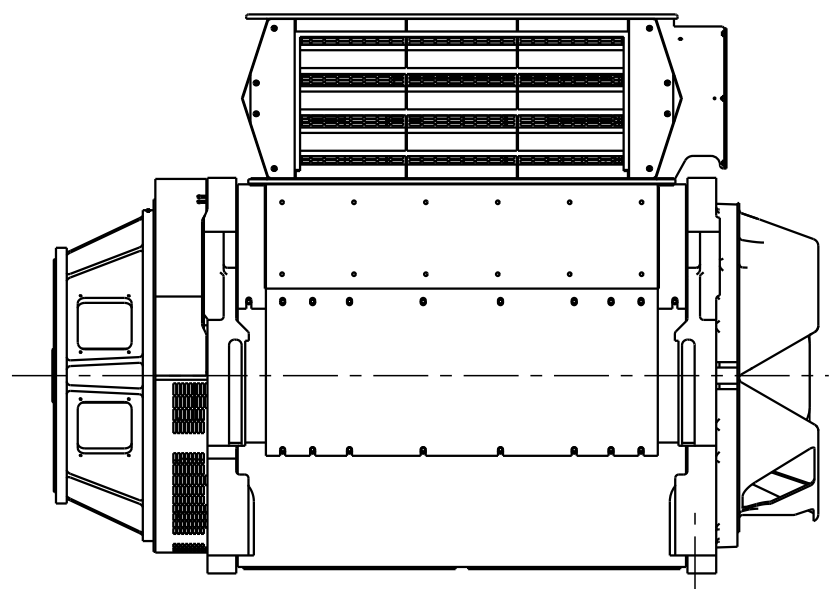
P80 ALTERNATOR LV S CORE
CENTRE HEIGHT = INTEGRAL 500
CONNECTION ADAPTOR SAE0

MATERIAL PROPS	-	DIMENSIONS IN MILLIMETRES (MM) AT 20°C	PROJECTION			SCALE 1:10	MATERIAL SEE BOM
FINISH SPEC	-						
GEOMETRY SPEC	-	SURFACE FINISH VALUES IN MICRO METRES	WEIGHT = 5910 KG			DRG. SIZE C	CASTING No -
ASSEMBLY SPEC	-		DRAWN	IAM	11/09/07	REL. PHASE P	
PERFORMANCE SPEC	-	UNLIMITED DIMS ± --	CHECKED	IAM	11/09/07	PART No 80-2387	ISSUE A
QUALITY SPEC	-		APPROVED	R.MAC	11/09/07		
							SHEET 1 OF 2 SHEETS

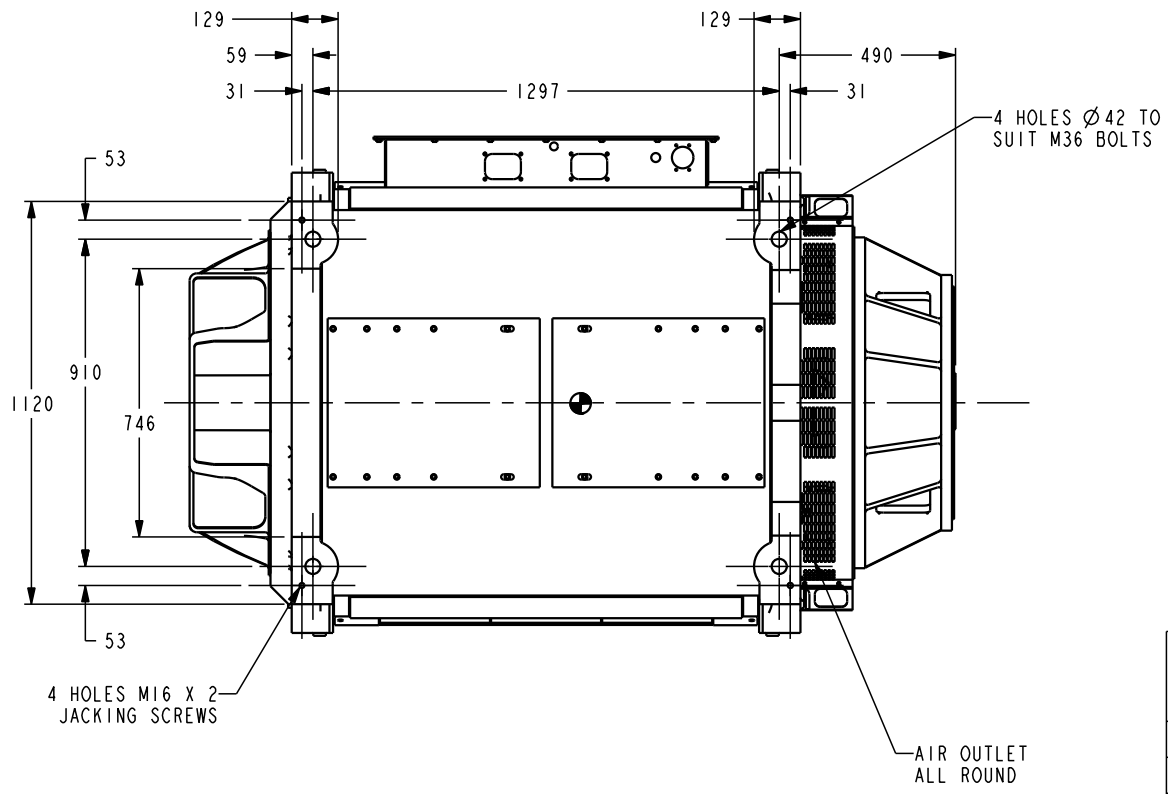
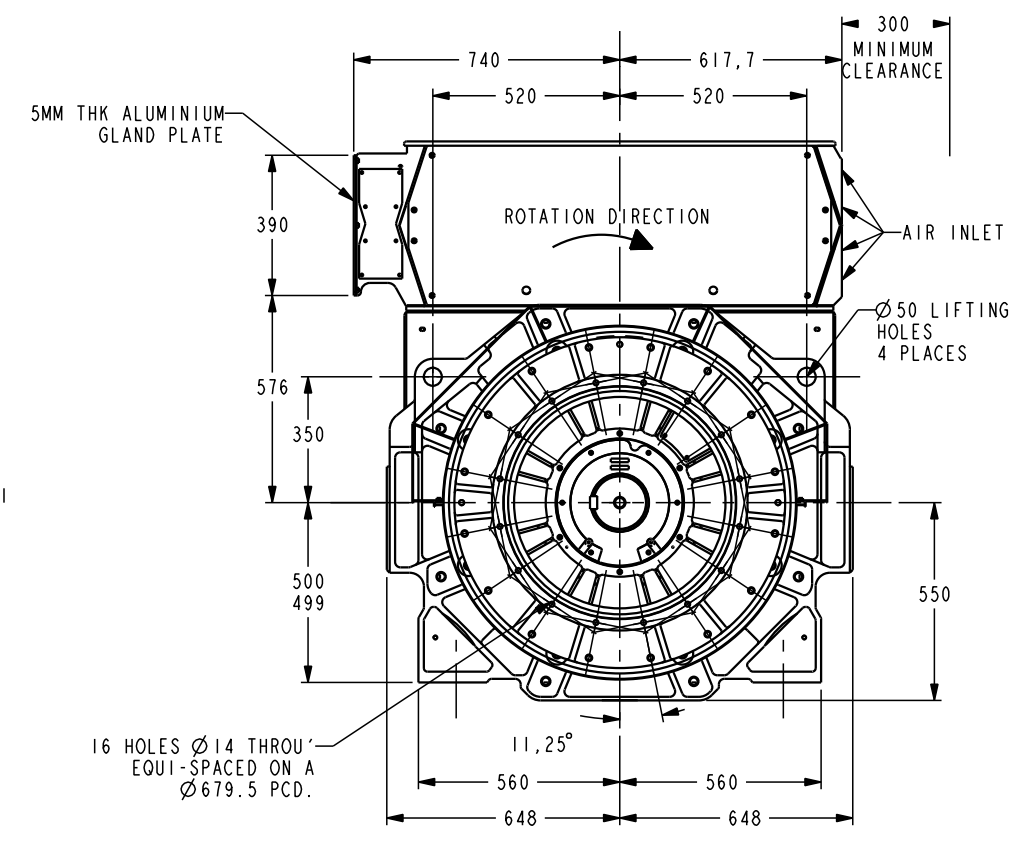
4-8326-05	A	IAM	11/09/07	ORIGINAL ISSUE
MOD.	ISSUE	DRAWN	DATE	MODIFICATION



2 BEARING SHAFT DETAIL
SCALE 1:5



APPROVED DOCUMENT



FRAME	P80
CORE LENGTH	S
VOLTAGE RATING	LV
BEARINGS	2
CENTRE HEIGHT	INTEGRAL 500
ADAPTOR	SAE0
COUPLING	NONE
ENCLOSURE	IP23
CABLE ENTRY FROM DE	LEFT

CONFIDENTIAL PROPERTY OF CUMMINS GENERATOR TECHNOLOGIES LTD				P80 ALTERNATOR LV S CORE CENTRE HEIGHT = INTEGRAL 500 CONNECTION ADAPTOR SAE0	
MATERIAL PROPS	-	DIMENSIONS IN MILLIMETRES (MM) AT 20°C	PROJECTION	SCALE	MATERIAL
FINISH SPEC	-	SURFACE FINISH VALUES IN MICRO METRES	WEIGHT = 5910 KG	1:10	SEE BOM
GEOMETRY SPEC	-			DRG. SIZE	A
ASSEMBLY SPEC	-	UNLIMITED DIMS ±	DRAWN	IAM	11/09/07
PERFORMANCE SPEC	-		CHECKED	IAM	11/09/07
QUALITY SPEC	-		APPROVED	R.MAC	11/09/07
				REL. PHASE	P
				PART No	80-2387
				ISSUE	A
				PREP/ENGINEER	
				SHEET	2 OF 2 SHEETS

4-8326-05	A	IAM	11/09/07	ORIGINAL ISSUE
MOD.	ISSUE	DRAWN	DATE	MODIFICATION