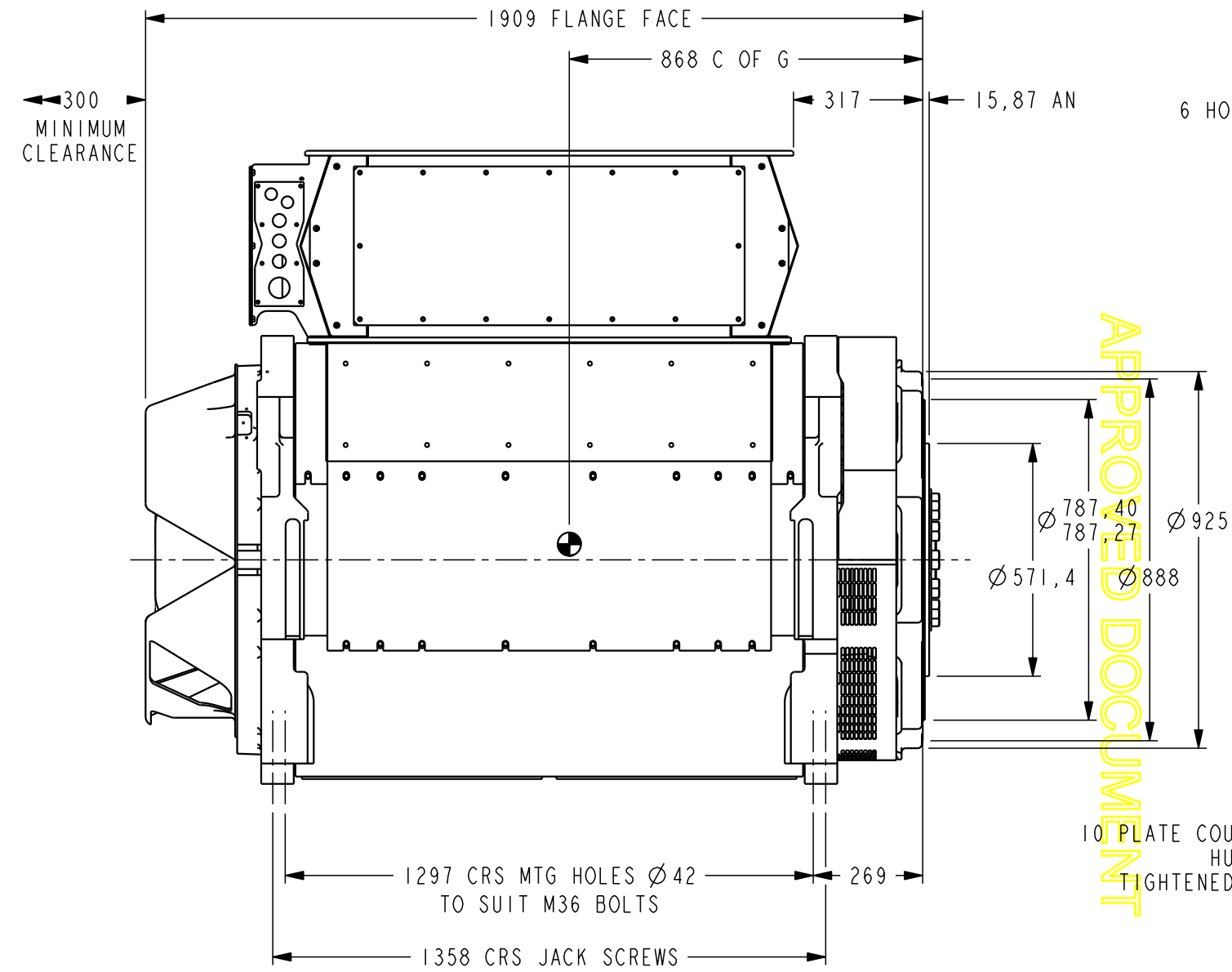


DRG. SIZE C	REL. PHASE P	PART No 80-2517	ISSUE A
----------------	-----------------	--------------------	------------

IF IN DOUBT-ASK  
DO NOT SCALE



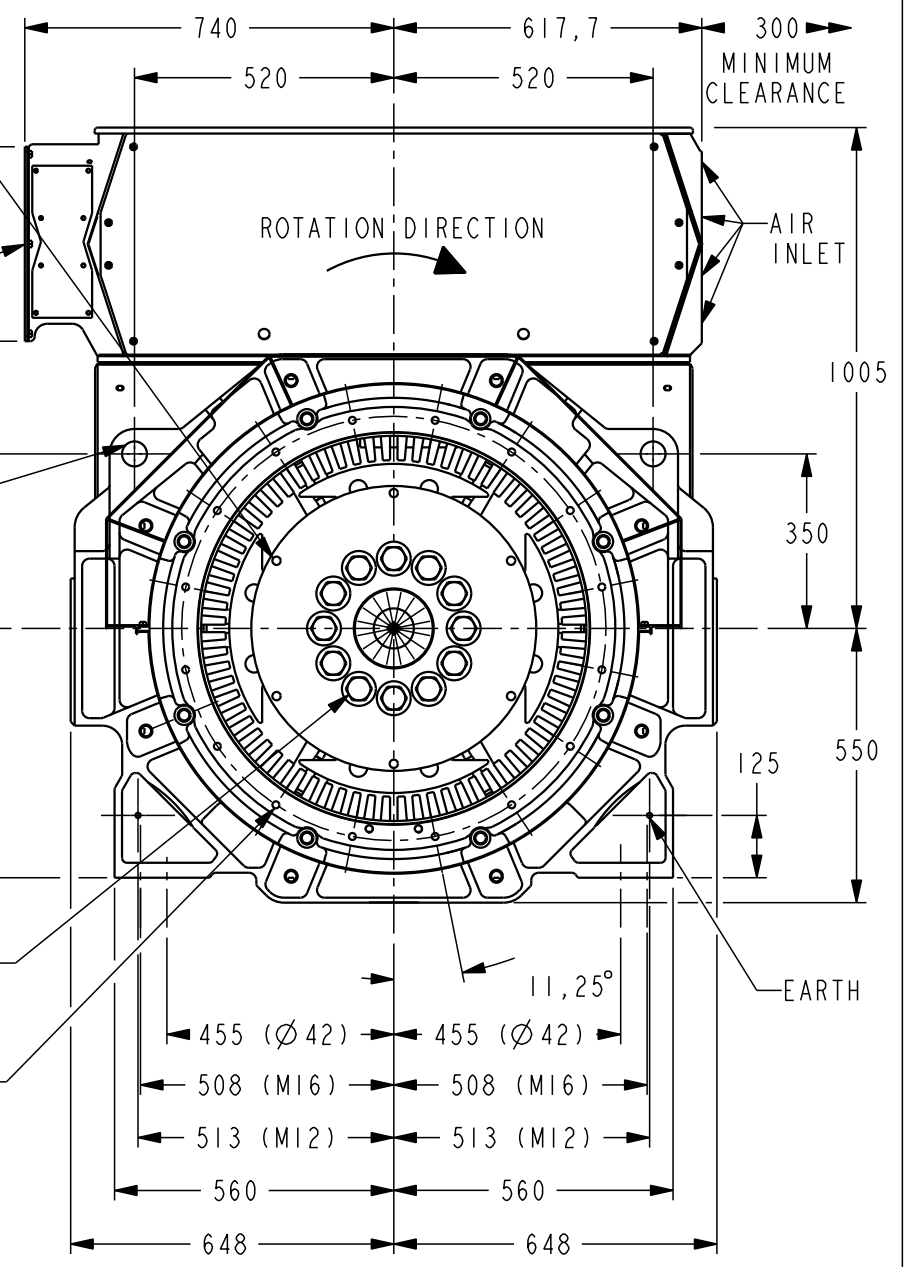
6 HOLES Ø16.7 THRU' EQUI-SPACED ON A Ø543 PCD

5MM THK ALUMINIUM GLAND PLATE

Ø50 LIFTING HOLES 4 PLACES

10 PLATE COUPLING - TOTAL THK 12MM HUB SECURING BOLTS TO BE TIGHTENED TO A TORQUE OF 1350Nm

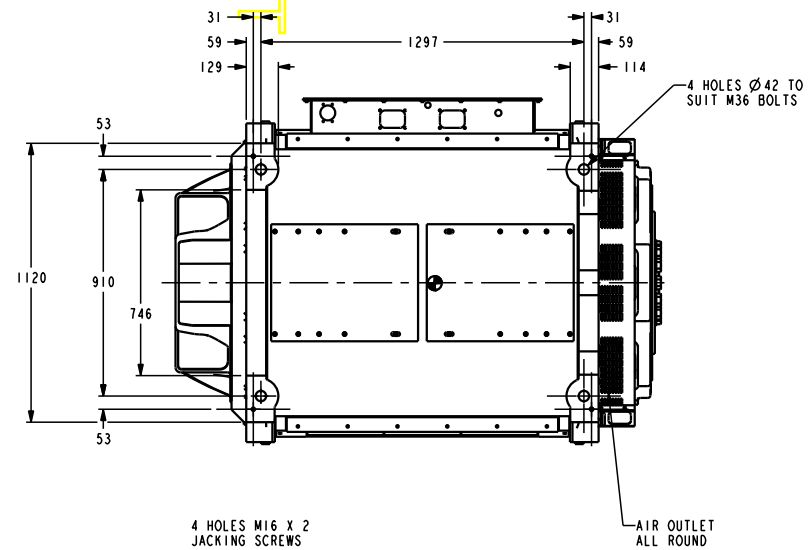
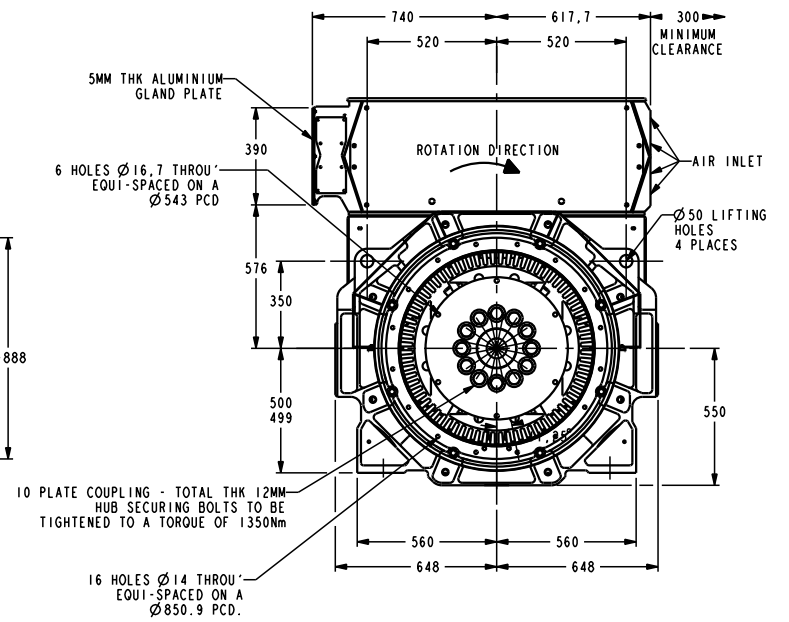
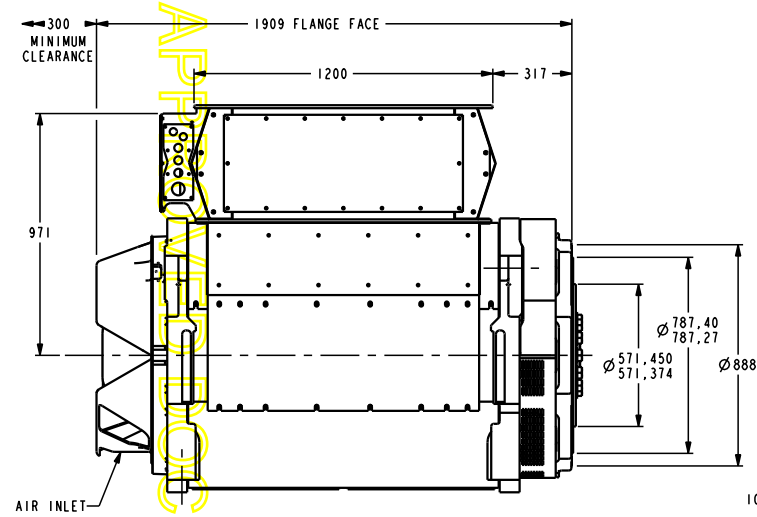
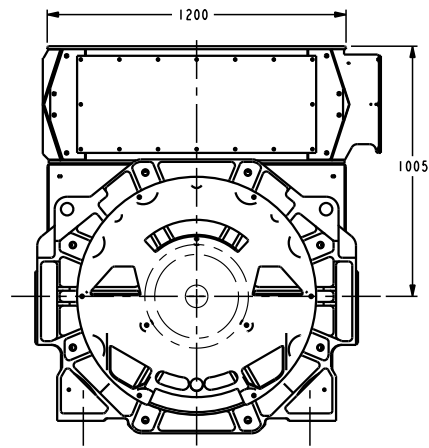
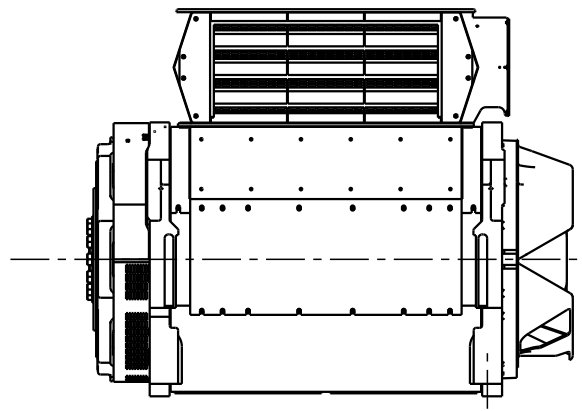
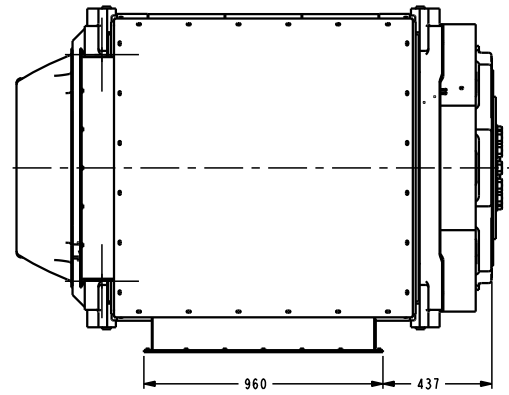
16 HOLES Ø14 THRU' EQUI-SPACED ON A Ø850.9 PCD.



APPROVED DOCUMENT

5-0515-01	A	AS	16/03/10	ORIGINAL ISSUE
MOD.	ISSUE	DRAWN	DATE	MODIFICATION

<b>CONFIDENTIAL</b> PROPERTY OF CUMMINS GENERATOR TECHNOLOGIES LTD				P80 ALTERNATOR LV T CORE CENTRE HEIGHT = INTEGRAL 500 CONNECTION DISC SAE18			
MATERIAL PROPS	-	DIMENSIONS IN MILLIMETRES (MM) AT 20°C	PROJECTION		SCALE	MATERIAL	
FINISH SPEC	-			1:10	SEE BOM		
GEOMETRY SPEC	-	SURFACE FINISH VALUES IN MICRO METRES	WEIGHT	=	6160 KG	DRG. SIZE	C
ASSEMBLY SPEC	-		UNLIMITED DIMS ± --	DRAWN	AS	16/03/10	REL. PHASE
PERFORMANCE SPEC	-	CHECKED		AGS	16/03/10	PART No	
QUALITY SPEC	-	APPROVED	PDB	16/03/10	ISSUE		A
					SHEET 1 OF 2 SHEETS		



FRAME	P80
CORE LENGTH	T
VOLTAGE RATING	LV
BEARINGS	I
CENTRE HEIGHT	INTEGRAL 500
ADAPTOR	SAE00
COUPLING	SAE18
ENCLOSURE	IP23
CABLE ENTRY FROM DE	LEFT

**CONFIDENTIAL PROPERTY OF CUMMINS GENERATOR TECHNOLOGIES LTD**

P80 ALTERNATOR LV T CORE  
CENTRE HEIGHT = INTEGRAL 500  
CONNECTION DISC SAE18

MATERIAL PROPS	-	DIMENSIONS IN MILLIMETRES (MM) AT 20°C	PROJECTION	WEIGHT = 6160 KG	SCALE 1:10	MATERIAL	SEE BOM
FINISH SPEC	-	SURFACE FINISH VALUES IN MICRO METRES		DRG. SIZE A	CASTING No	-	
GEOMETRY SPEC	-			AS 16/03/10	PART No	80-2517	ISSUE
ASSEMBLY SPEC	-	UNLIMITED DIMS ±		CHECKED AGS 16/03/10	REL. PHASE P	-	
PERFORMANCE SPEC	-			APPROVED PDB 16/03/10	Prv/ENGINEER	SHEET 2 OF 2	SHEETS
QUALITY SPEC	-						

5-0515-01	A	AS	14/03/10	ORIGINAL ISSUE
MOD.	ISSUE	DRAWN	DATE	MODIFICATION