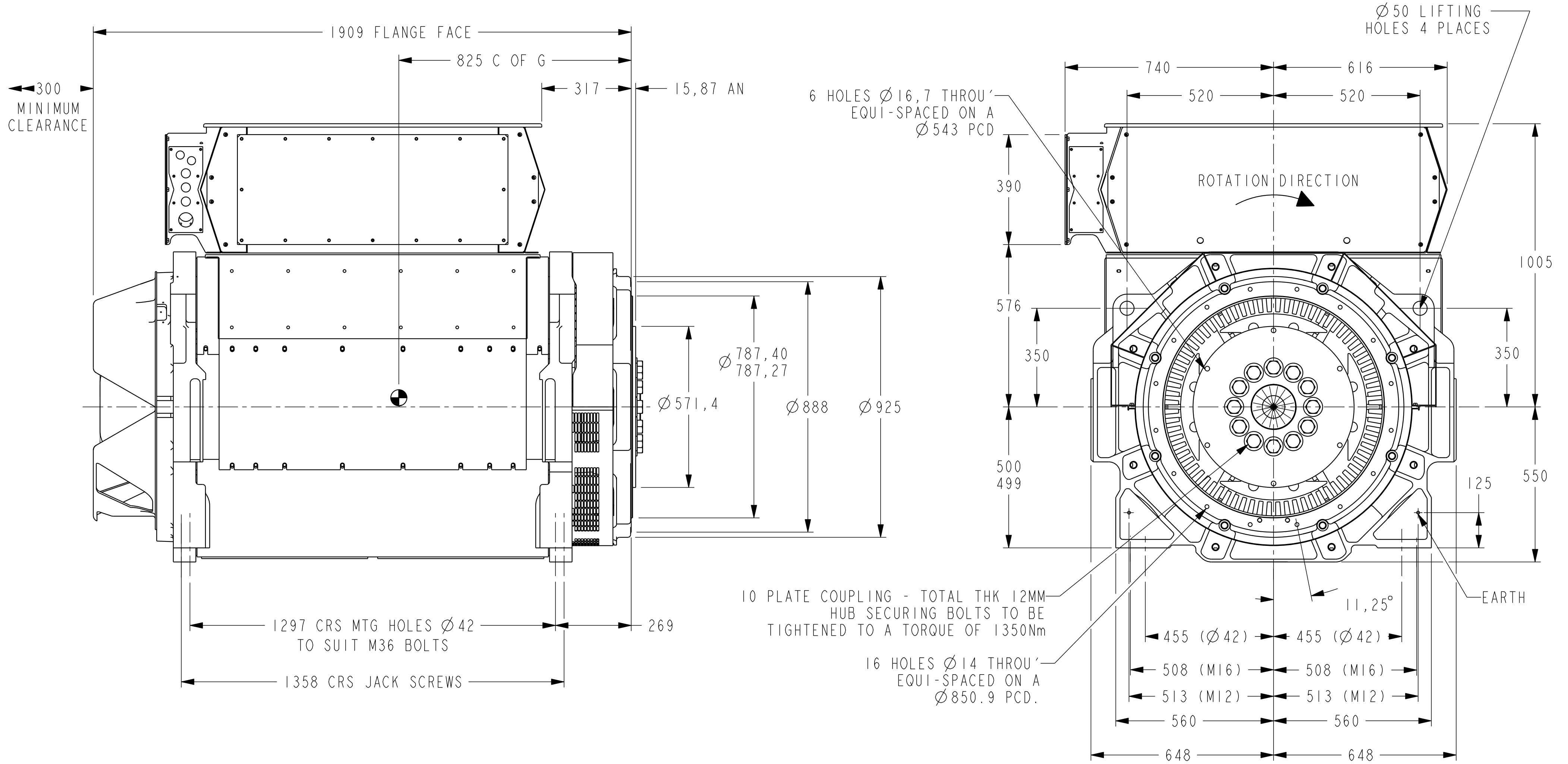
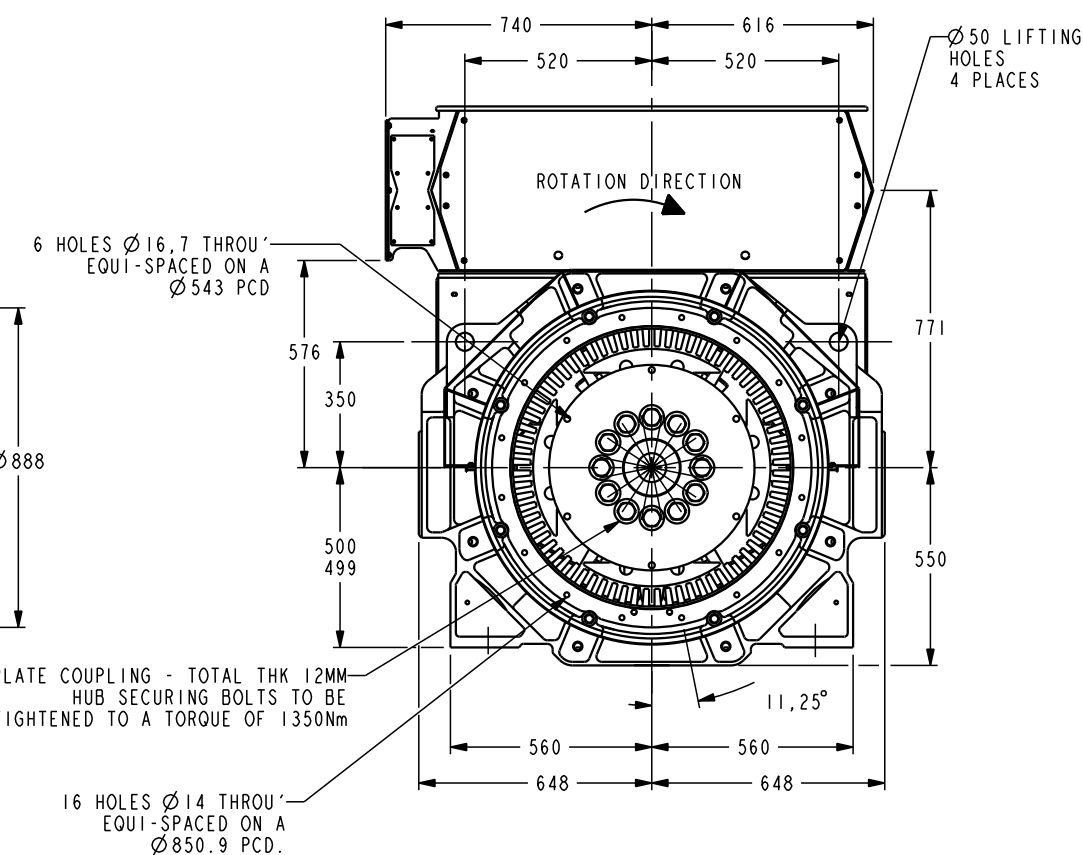
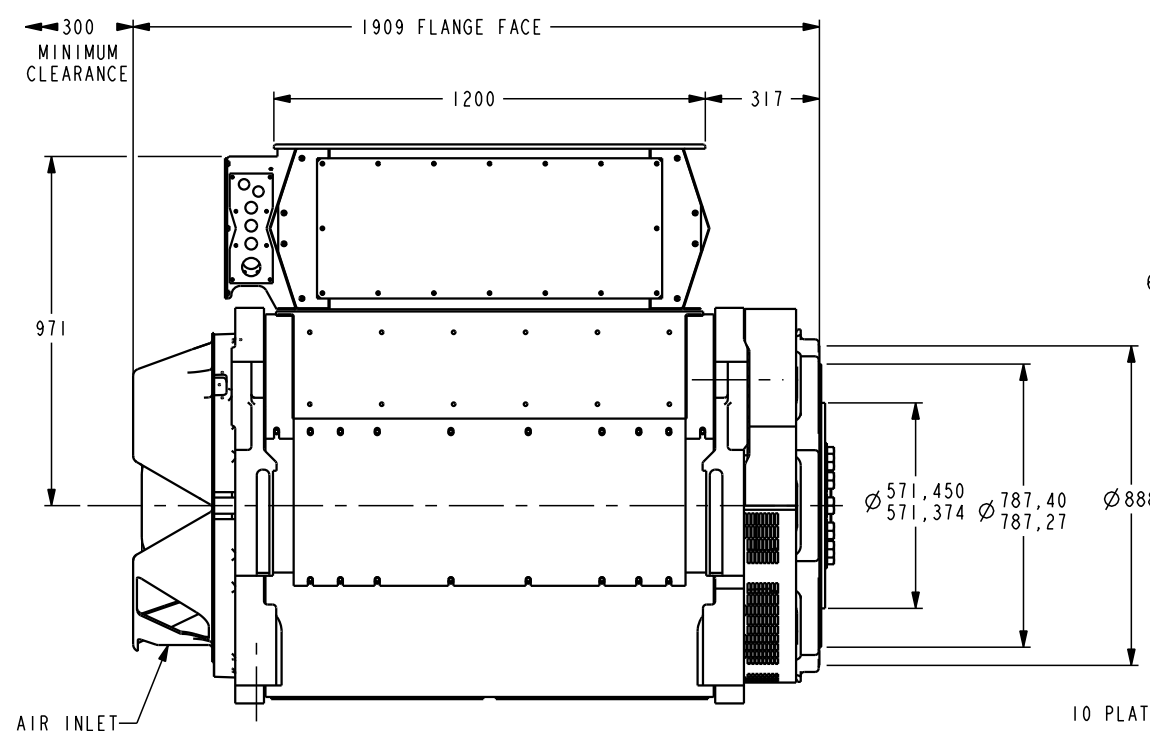
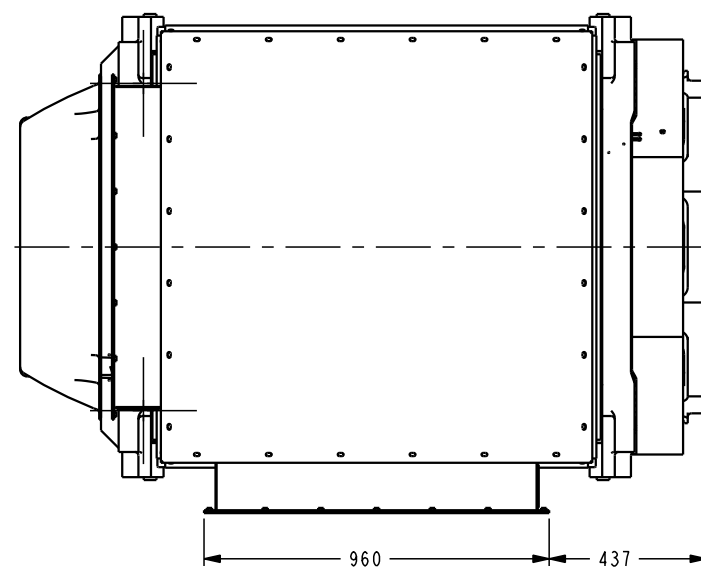


REL NO	REV	DETAIL	DWN	CKD	APVD	DATE
ECO-116073	A	PRODUCTION RELEASE	AGS	JWS	AS	11APR11



UNLESS OTHERWISE SPECIFIED, ALL DIMENSIONS ARE IN MILLIMETERS		SIM TO	DWN AGS		CUMMINS GENERATOR TECHNOLOGIES	
DIM	X ± 1	HOLE	0.00 - 4.99 +0.15/-0.08		CKD JWS	P80 ALTERNATOR MV R CORE
	X.X ± 0,1		5.00 - 9.99 +0.20/-0.10	APVD AS	CENTRE HEIGHT 500 / ADAPTOR SAE00/18	
	X.XX ± 0,01		10.00 - 17.49 +0.25/-0.13	DATE 11APR11	SITE CODE	
			17.50 - 24.99 +0.30/-0.13	FOR INTERPRETATION OF DIMENSIONING AND TOLERANCING, SEE ASME Y14.5M-1994	FIRST USED ON	
ANG TOL: ± 0,5°		SCALE: 1:10	- CONFIDENTIAL - PROPERTY OF CUMMINS GENERATOR TECHNOLOGIES		STA	DWG SIZE A2
						A040D478
						SHEET 1
						REV A

REV NO	REV	DETAIL	OWN	CD	APVD	DATE
ECO-116073	A	PRODUCTION RELEASE	AGS	JWS	AS	11 APRIL



D

D

C

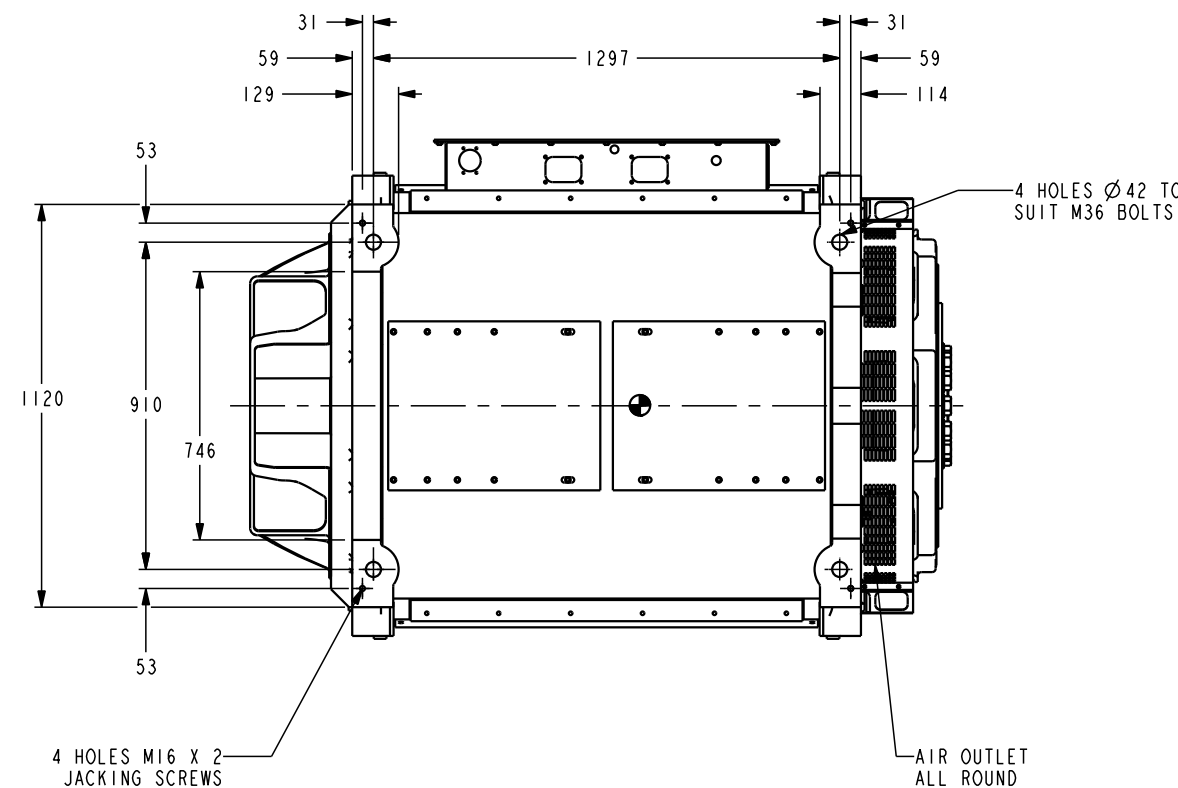
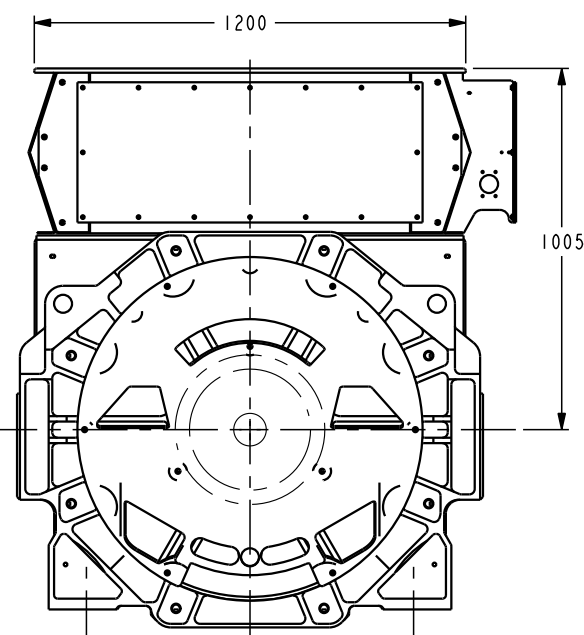
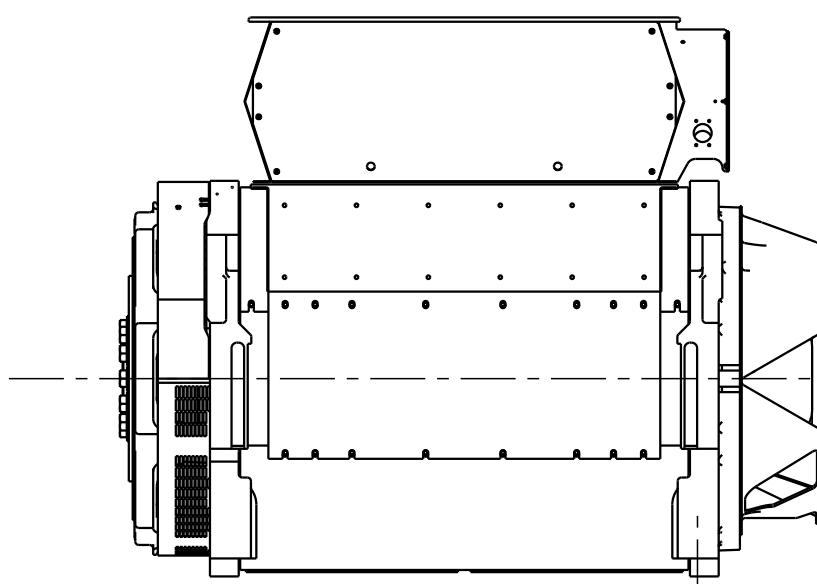
C

B

B

A

A



FRAME	P80
CORE LENGTH	R
VOLTAGE RATING	MV
BEARINGS	I
CENTRE HEIGHT	INTEGRAL 500
ADAPTOR	SAE00
COUPLING	SAE18
ENCLOSURE	IP23
CABLE ENTRY FROM DE	LEFT

UNLESS OTHERWISE SPECIFIED, ALL DIMENSIONS ARE IN MILLIMETERS		DO NOT SCALE PRINT	OWN	CD	APVD	DATE	CUMMINS GENERATOR TECHNOLOGIES	
X ± 1	0.00-4.99 +0.15/-0.08		AGS	JWS	AS	11 APRIL	P80 ALTERNATOR MV R CORE	STA
X.X ± 0.1	5.00-9.99 +0.20/-0.10		AGS	JWS	AS	11 APRIL	CENTRE HEIGHT 500 / ADAPTOR SAE00/18	AD
X.XX ± 0.01	10.00-17.49 +0.25/-0.13		AGS	JWS	AS	11 APRIL	A040D478	REV
ANG TOL: ± 0.5°	SCALE: 1:10	PROPERTY OF CUMMINS GENERATOR TECHNOLOGIES					2	A