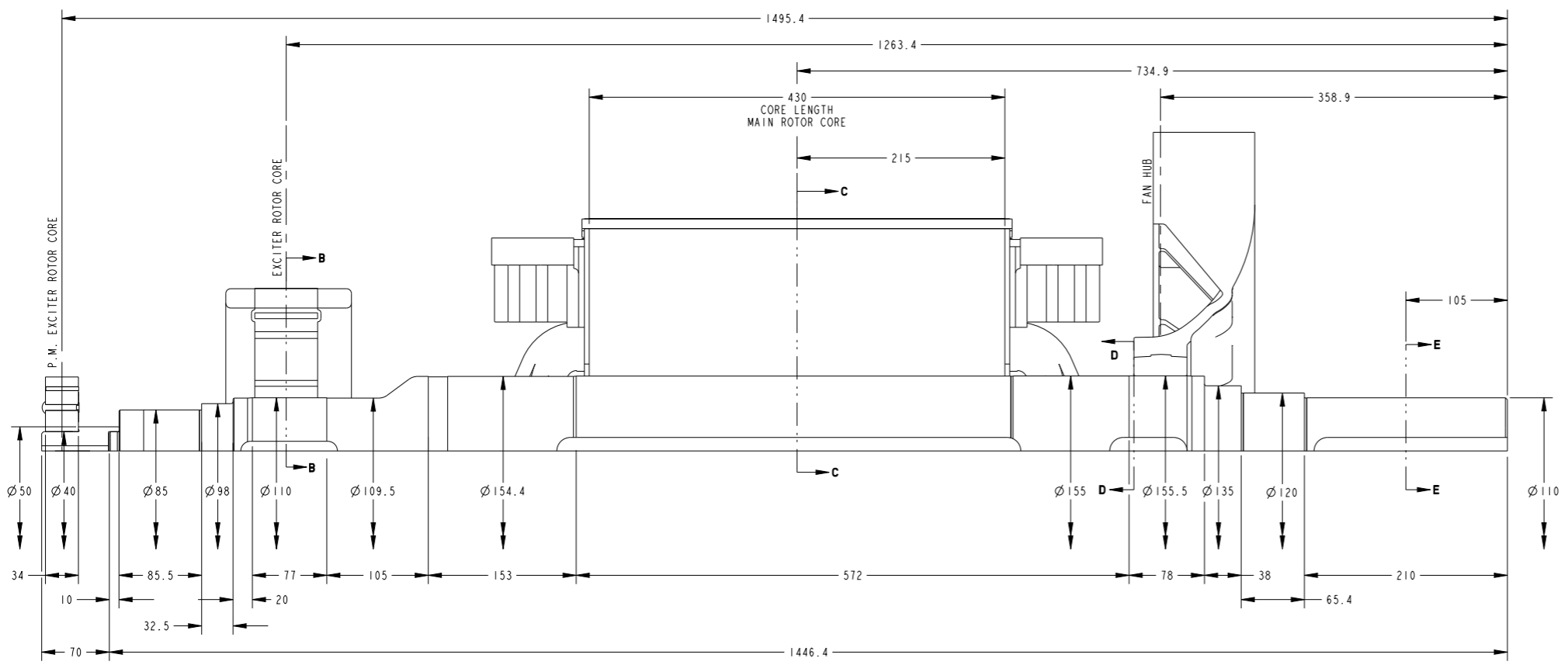


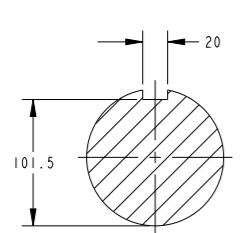
REL NO	REV NO	REVISION	DWN	CKD	APVD	DATE
ECO-172756	A	1	RELEASED FOR PRODUCTION	KP	SK	I.SAUNDATTI 04OCT17

NOTES:

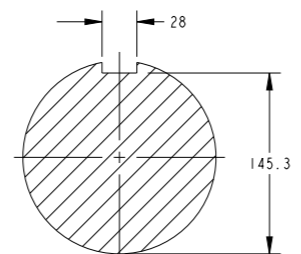
1. SHAFT STIFFNESS:-  
THE STIFFNESS OF THE SHAFT BETWEEN THE MAIN ROTOR CORE  $\phi$  AND THE SHAFT EXTENSION  $\phi$  IS  $42.8 \times 10^6$  KGCM/RADIAN (STIFFENING EFFECT OF MAIN ROTOR CORE IS NOT INCLUDED IN THIS FIGURE)
2. SHAFT MATERIAL:-  
STEEL - C40E TO BSEN 10083-2 2006 (APPROVED BY MARINE AUTHORITIES WHEN APPROPRIATE) MAXIMUM RECOMMENDED VIBRATORY STRESS LEVEL IN THE SHAFT IS  $34.47 \times 10^6$  N/m<sup>2</sup> FOR SPEED RANGE OF 0.95 TO 1.1 X NOMINAL SPEED AND  $68.94 \times 10^6$  N/m<sup>2</sup> FOR RUN THROUGH CONDITIONS, FOR INDUSTRIAL MACHINES. FOR MARINE AUTHORITIES, THEIR APPROPRIATE RULES WILL APPLY
3. CUMMINS GENERATOR TECHNOLOGIES LTD SHOULD BE NOTIFIED OF ANY ROTORS NOT COMPLYING WITH THESE RULES. CUMMINS GENERATOR TECHNOLOGIES LTD BALANCE ROTORS TO COMPLY WITH INTERNATIONAL STD BS ISO 1940 PARTS 1 AND 2. BALANCE GRADE 2.5
4. FOR UNBALANCED MAGNETIC PULL (U.M.P.) REFER TO THE FACTORY



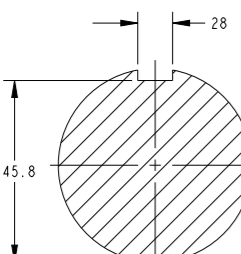
SECTION A-A



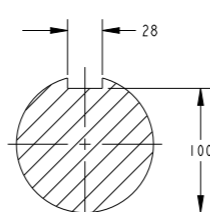
SECTION B-B



SECTION C-C



SECTION D-D



SECTION E-E

COMPONENT	Wt Kg	WR <sup>2</sup> (KGM <sup>2</sup> )
EX. ROTOR	38.66	0.5785
MAIN ROTOR	529.92	16.59
FAN	19.03	0.8523
SHAFT	165.8	0.4312
P.M. EXCITER ROTOR	4	0.011
P.M. STUB SHAFT	0.859	0.0003
TOTAL	758.27	18.46

CONVERSION FACTORS		
TO CONVERT	TO	DIVIDE BY
kg	lb	0.453592
kg m <sup>2</sup>	lb ft <sup>2</sup>	0.04214
kgcm/rad	lbin/rad	1.1521246
N/m <sup>2</sup>	lbf/in <sup>2</sup>	6894.76

UNLESS OTHERWISE SPECIFIED, ALL DIMENSIONS ARE IN MILLIMETERS		SIM TO	DWN K_PATIL		<b>CUMMINS GENERATOR TECHNOLOGIES</b> DRAWING, TORSIONAL S6L1D-D, 2-BRG, 4-POLE
DO NOT SCALE PRINT		CKD S_KARMARKAR	APVD I_SAUNDATTI		
DIN	0-00-4.99 +0.15/-0.08 5.00-9.99 +0.20/-0.10 10.00-17.99 +0.25/-0.13 17.50-24.99 +0.30/-0.13		DATE 04OCT17	SITE CODE	FOR INTERPRETATION OF DIMENSIONING AND TOLERANCING, SEE ASME Y14.5-2009
SCALE	0.350	THIS DOCUMENT (AND THE INFORMATION SHOWN THEREON) IS CONFIDENTIAL AND PROPRIETARY AND SHALL NOT BE DISCLOSED TO OTHERS IN HARD COPY OR ELECTRONIC FORM, REPRODUCED BY ANY MEANS, OR USED FOR ANY PURPOSE WITHOUT WRITTEN CONSENT OF CUMMINS INC.	FIRST USED ON S6	STA	DWG SIZE A1 A058H234
					CAD SHEET 1 of 1