

Document Generated: 06MAY2020 10:54 GMT

Cummins Data Classification:
Cummins Confidential

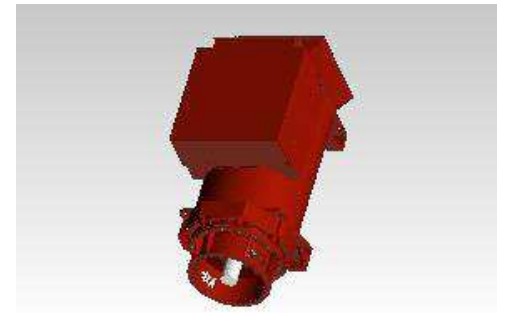
This document (and the information shown thereon) is **Confidential and Proprietary** and shall not be disclosed to others in hard copy or electronic form, reproduced by any means, or used for any purpose without written consent of Cummins Inc.

Part Number: **A062U839** Part Revision: **C**
 Part Name: **ARRANGEMENT, GENERATOR GENERAL**
 Drawing Category: **Outline** State: **Released** Sheet 1 of 2



Part Number: A062U839

| | | | |
|-------------------------|------------------------|-----------------------|------------------------|
| Change Notice | CN00017575 | Alternates | |
| Manufacturer Part (MEP) | No | Usage | Production and Service |
| Release Phase Code | Production (P) | Drawing Specification | DS47004606 |
| External Regulations | No External Regulation | | |



3D image provided when available for visual reference only.

Associated Specifications

| Number | Name | Type | Category | Sub-Category |
|------------|------------------------|---------------------------|------------------------|---|
| ESA030B356 | SPECIFICATION,MATERIAL | Engineering Specification | Material Specification | Prohibited and Restricted Prohibited and Restricted |

Drawing Revision Information

| Description of Change(s) |
|-------------------------------------|
| M12 EARTH CONNECTION HOLES WAS M20. |

Drawing Authorization

| | | | |
|----------|-----------------------|------|-----------|
| Drafter | Mihai-Cristian Ilinca | Date | 06MAY2020 |
| Checker | Silviu-Ionut Nanau | Date | 06MAY2020 |
| Approver | NO APPROVAL REQUIRED | Date | |

Document Generated: 06MAY2020 10:54 GMT