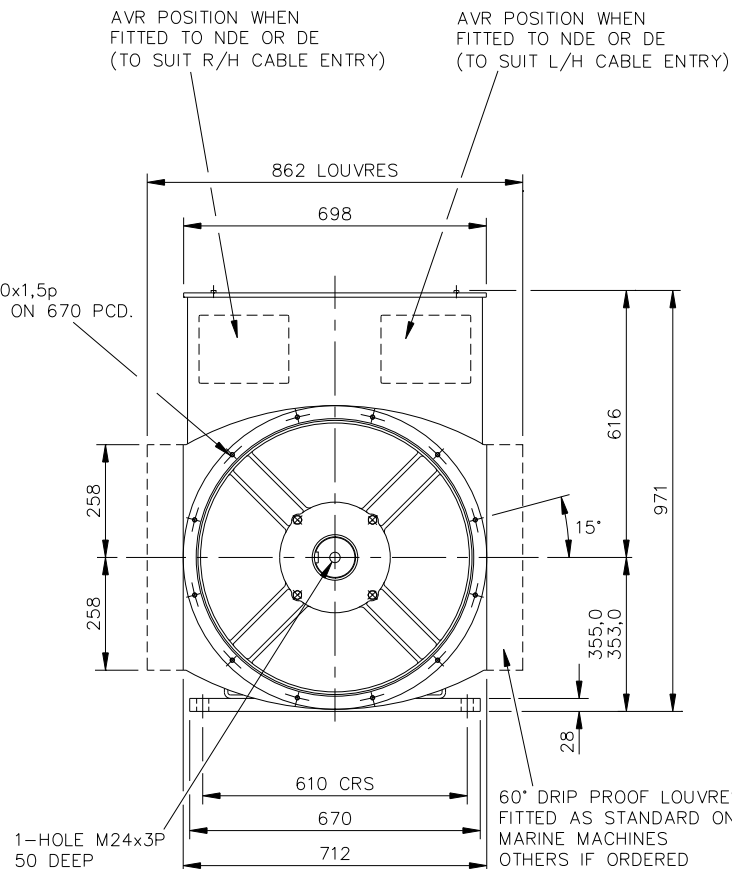
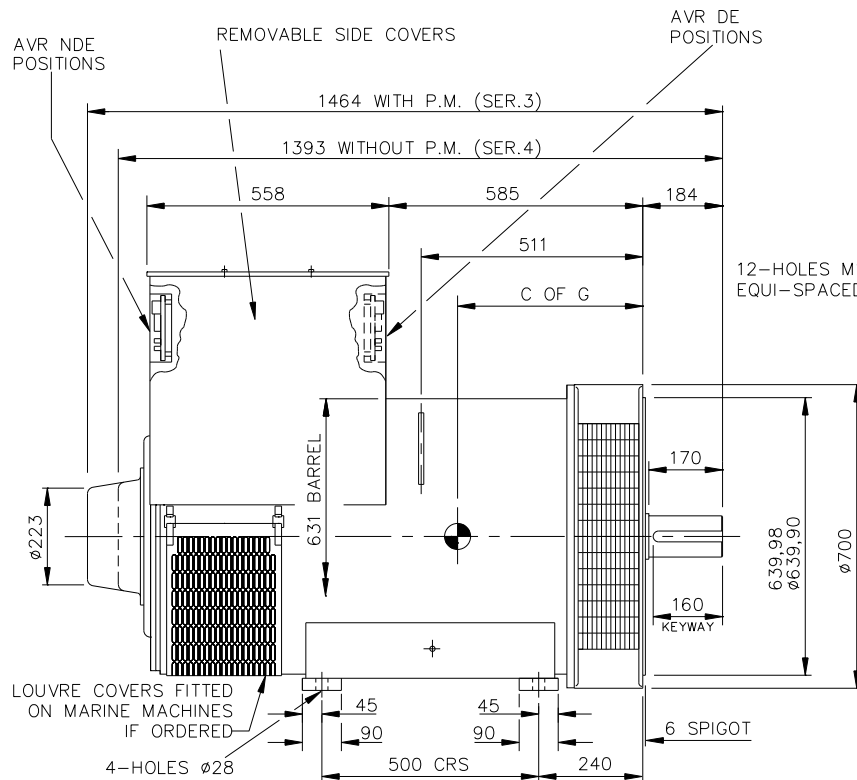
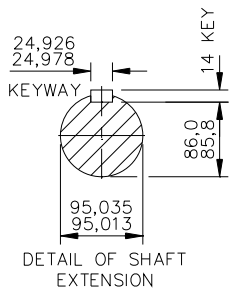


REL NO	REV	DETAILS	DWN	CKD	APVD	DATE
ECO-130106	F	AVR VIEWS & NOTES UPDATED	NNG	APM	SMH	15NOV12

CORE	C OF G
C	498
D	518
E	538



NOTE: -
CUSTOMER MAY CUT CABLE ENTRY HOLES AS REQUIRED IN ANY OF THE FOUR
TERMINAL BOX SIDES SUBJECT TO POSITION OF AVR, TERMINALS, ETC.

UNLESS SPECIFIED ALL DIMENSIONS ARE IN MILLIMETERS			CUMMINS GENERATOR TECHNOLOGIES					
DO NOT SCALE PRINT	DRAWN SMC		DRAWING, GENERAL ASSEMBLY					
	CHECKED SMC		HC5 CDE 2-BRG STD GA					
CONFIDENTIAL	DATE 09AUG00	SITE CODE	STA		DWG SIZE	52-4689	SHEET	REV
PROPERTY OF CUMMINS GENERATOR TECHNOLOGIES	SCALE 1:10	FIRST USED ON	---		A4		1	F