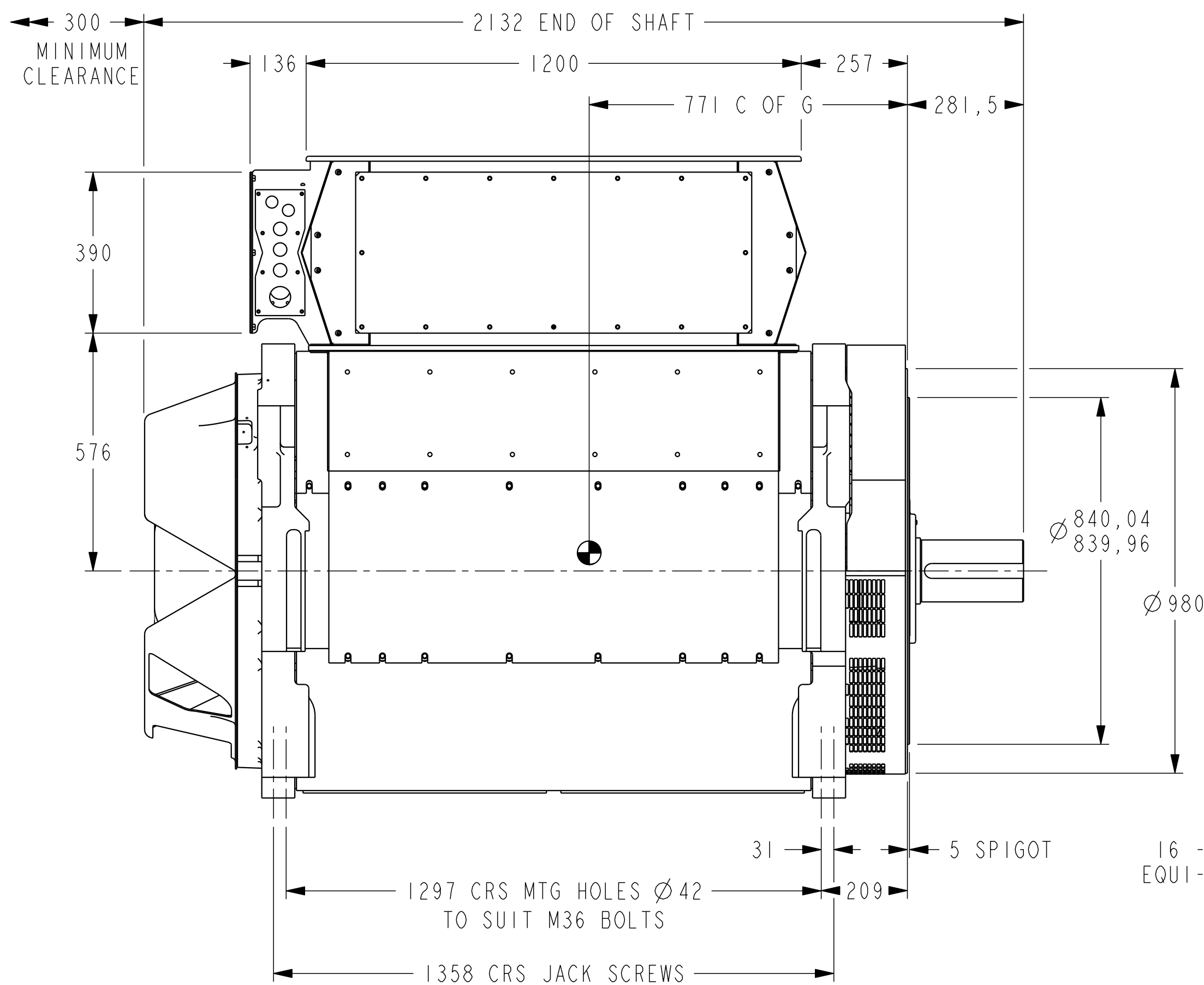
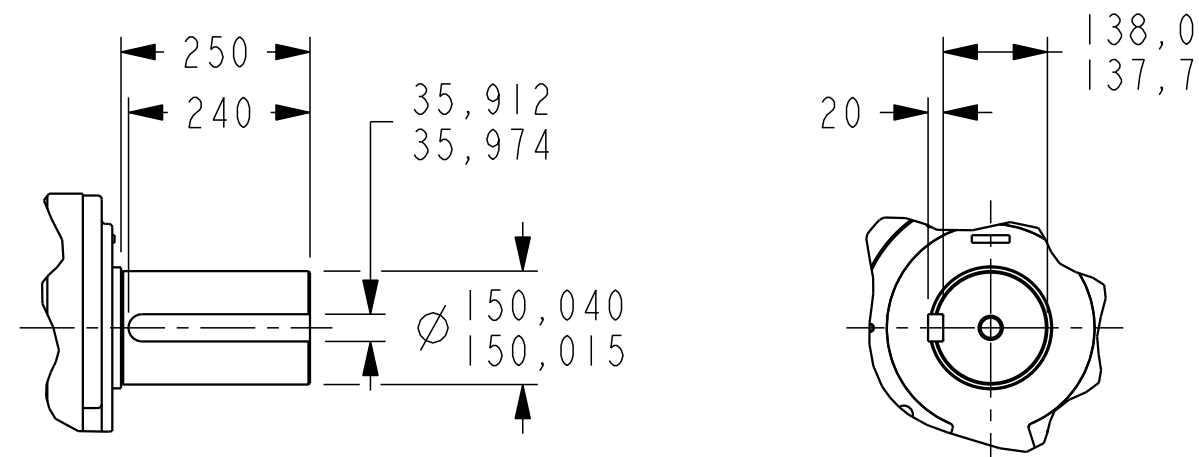


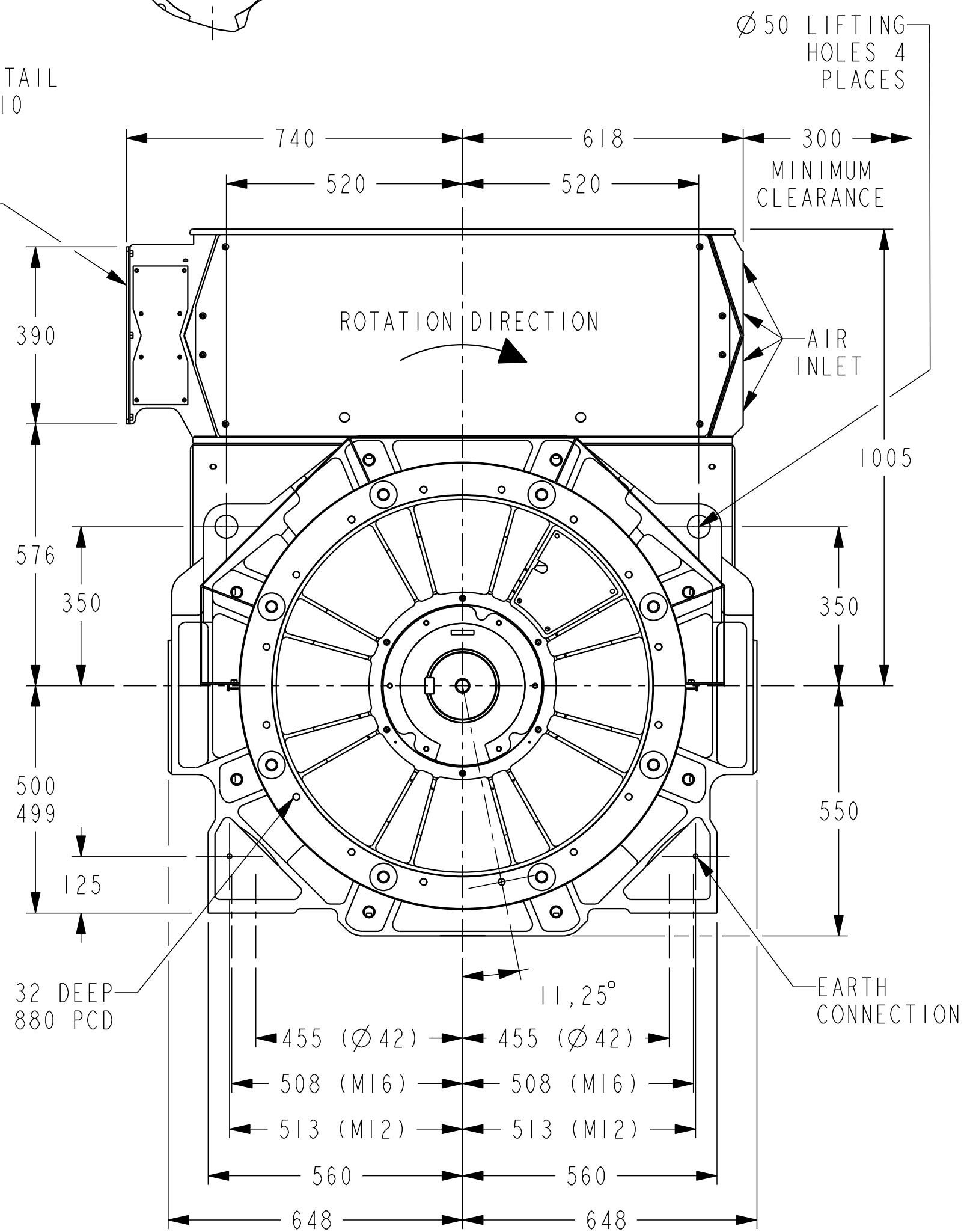
REL NO	REV	NO	REVISION	DWN	CKD	APVD	DATE
ECO-167449	B	1	DRAWING BORDER AND DIMENSIONING SCHEME UPDATED	AS	AS	D.LEE	20JAN17



2 BEARING DETAIL  
SCALE 1:10

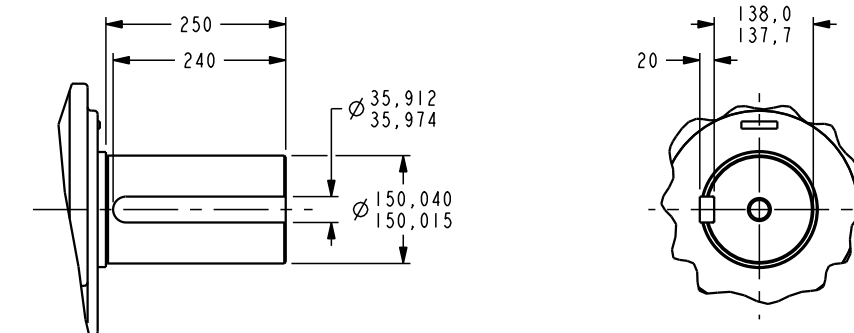
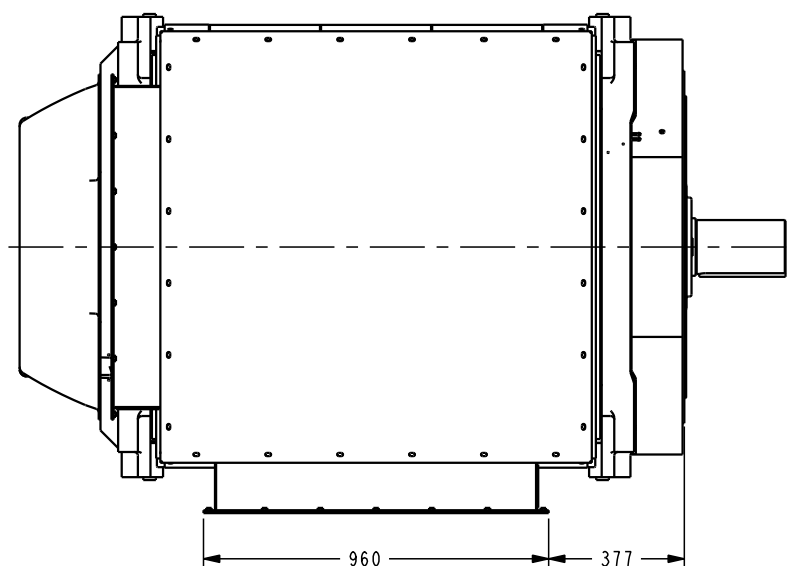
5mm THK  
ALUMINIUM  
GLAND PLATE

16 - HOLES M16 x 32 DEEP  
EQUI-SPACED ON AN 880 PCD

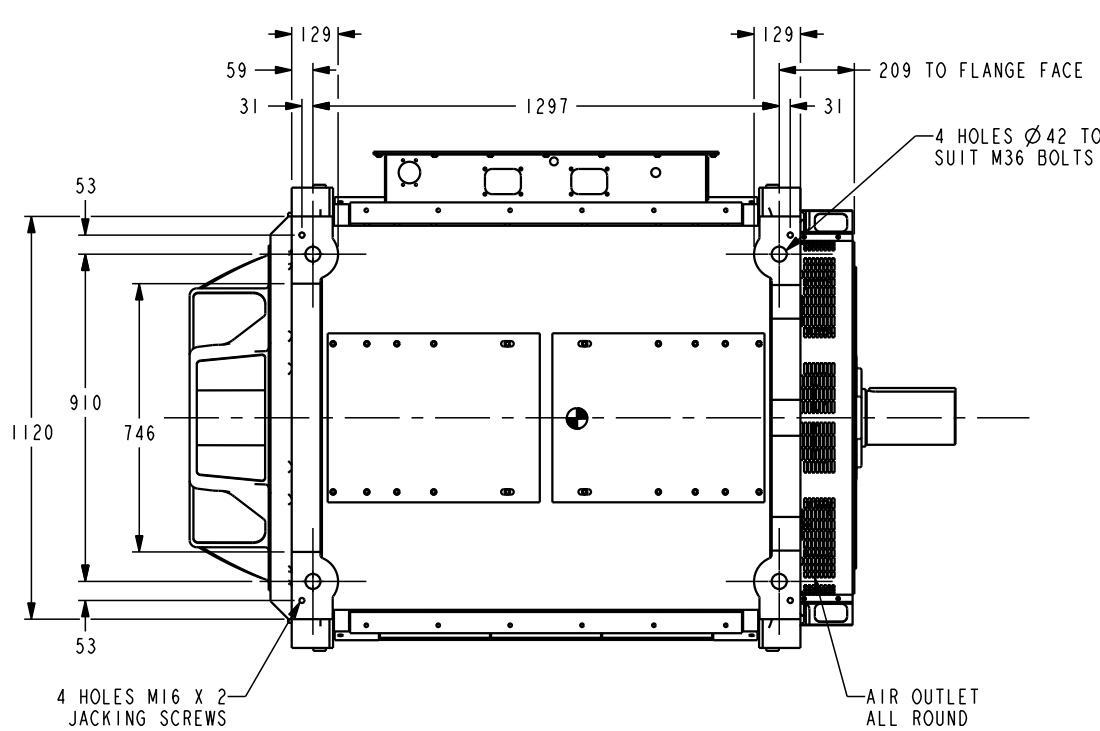
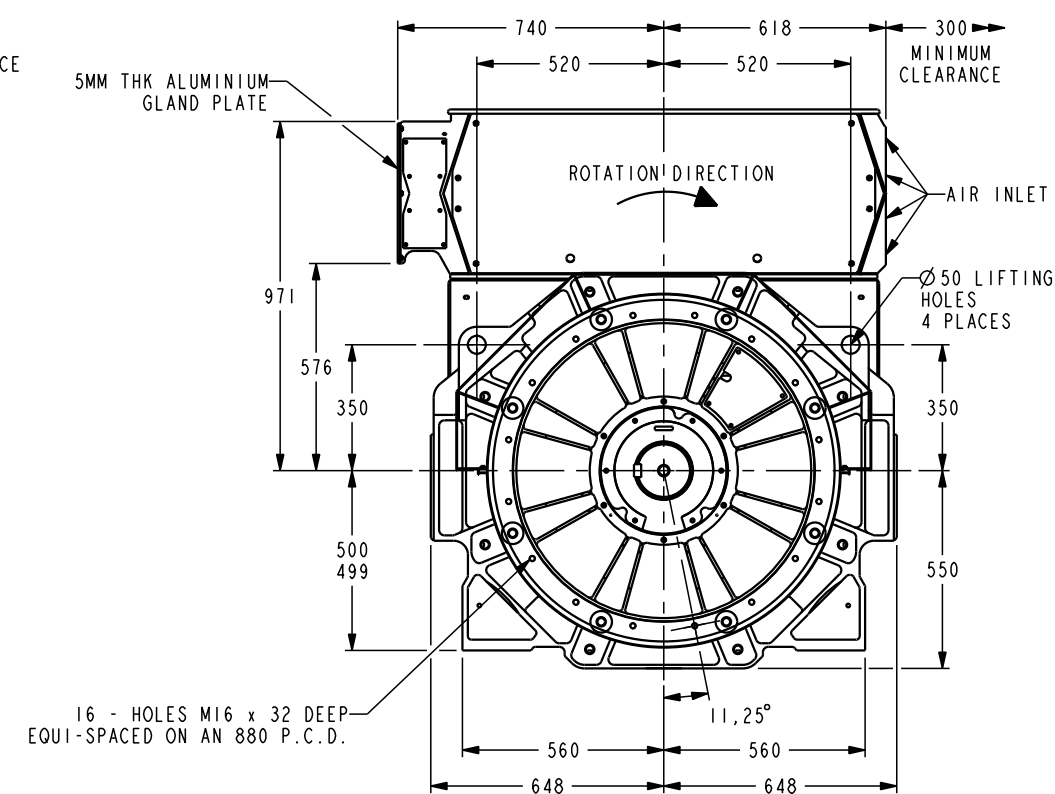
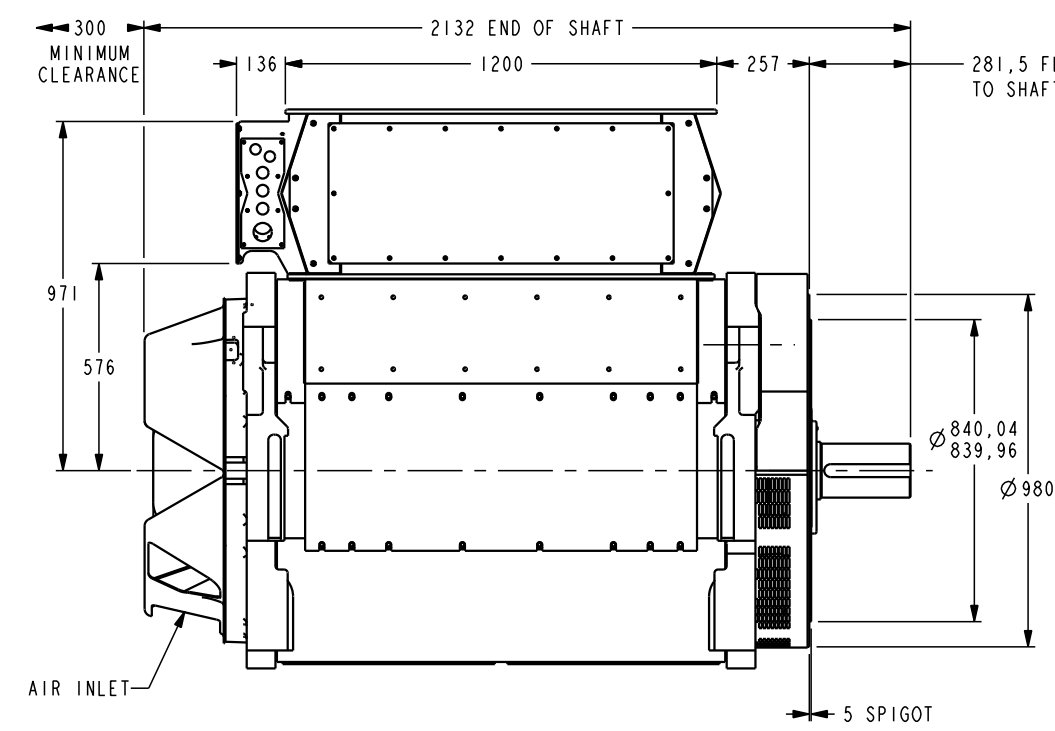
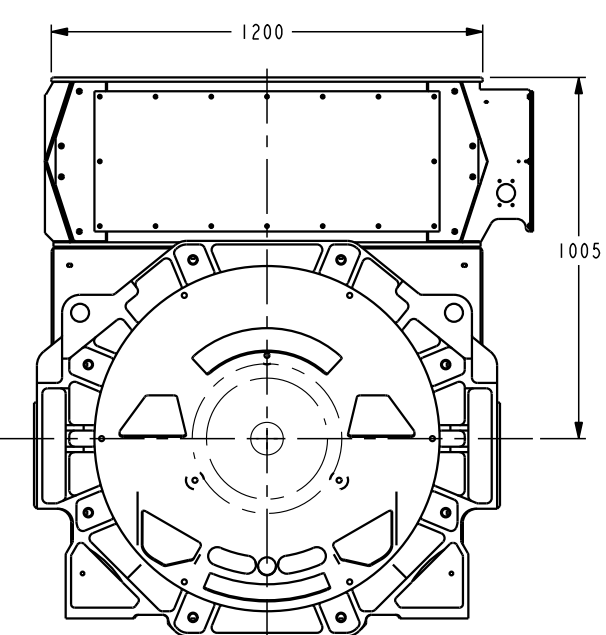
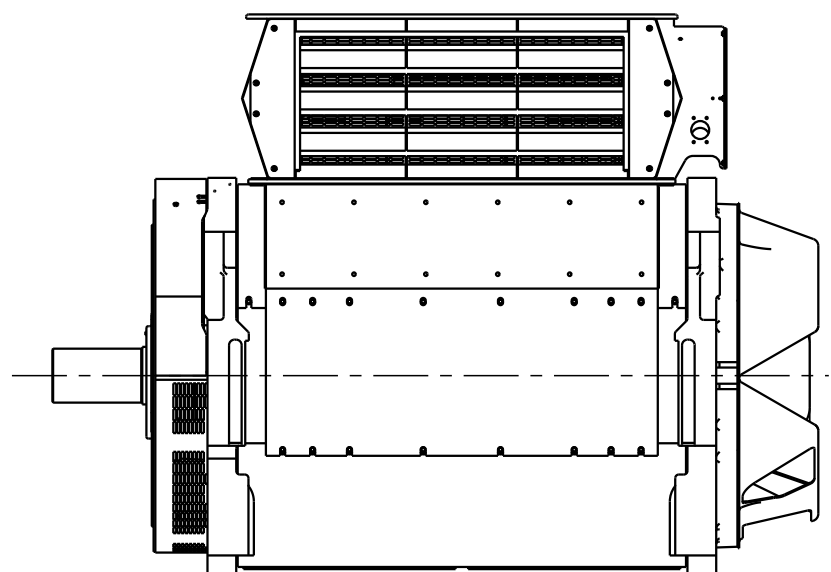


NOMINAL WEIGHT BASED ON CAD MODEL 5459KG; NOT FOR INSPECTION

UNLESS OTHERWISE SPECIFIED, ALL DIMENSIONS ARE IN MILLIMETERS	SIM TO	DWN I. MUGHAL		CUMMINS GENERATOR TECHNOLOGIES	
	DO NOT SCALE PRINT	CKD I. MUGHAL		DRAWING, GENERAL ASSEMBLY	
SCALE 1:10		APVD R. MACMENEMEY	SITE CODE	P80 LV R CORE / INTEGRATED FOOT	
THIS DOCUMENT (AND THE INFORMATION SHOWN THEREON) IS CONFIDENTIAL AND PROPRIETARY AND SHALL NOT BE DISCLOSED TO OTHERS IN HARD COPY OR ELECTRONIC FORM, REPRODUCED BY ANY MEANS, OR USED FOR ANY PURPOSE WITHOUT WRITTEN CONSENT OF CUMMINS INC.	DATE 11SEP07	FOR INTERPRETATION OF DIMENSIONING AND TOLERANCING, SEE ASME Y14.5-2009	FIRST USED ON	DWG SIZE A2	80-2382
				STA	CAD SHEET 1 of 2



2 BEARING SHAFT DETAIL  
SCALE 1:5



NOMINAL WEIGHT BASED ON CAD MODEL 5459KG; NOT FOR INSPECTION

UNLESS OTHERWISE SPECIFIED, ALL DIMENSIONS ARE IN MILLIMETERS	DO NOT SCALE PRINT	SCALE 1:10	DATE 11 SEP 07	APPD R. MACMENEY	SITE CODE	STA	REV. NO. AO	80-2382	CUMMINS GENERATOR TECHNOLOGIES DRAWING, GENERAL ASSEMBLY P80 LV R CORE / INTEGRATED FOOT	CAD SHEET 2 OF 2
---	--------------------	------------	----------------	------------------	-----------	-----	-------------	---------	--	---------------------