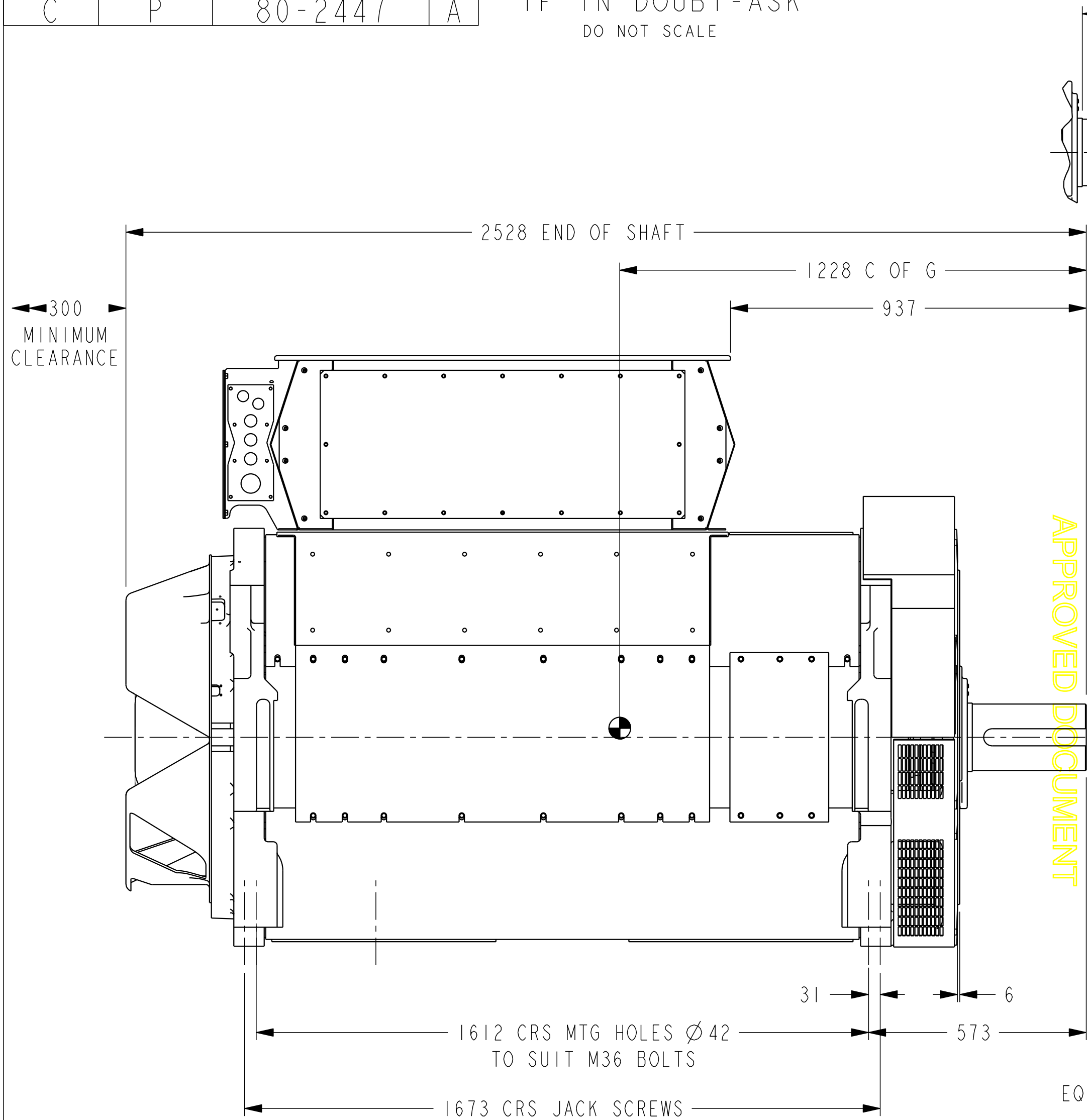
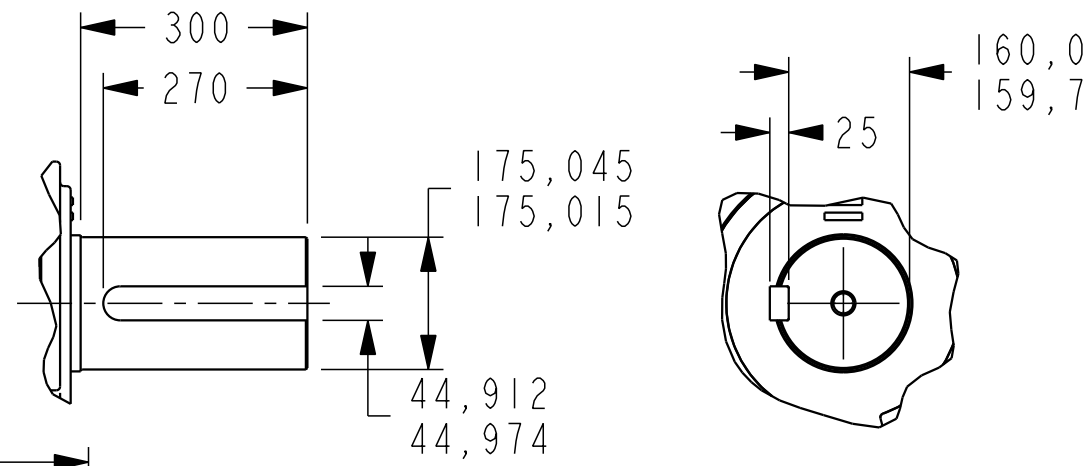


DRG. SIZE C	REL. PHASE P	PART No 80-2447	ISSUE A
----------------	-----------------	--------------------	------------

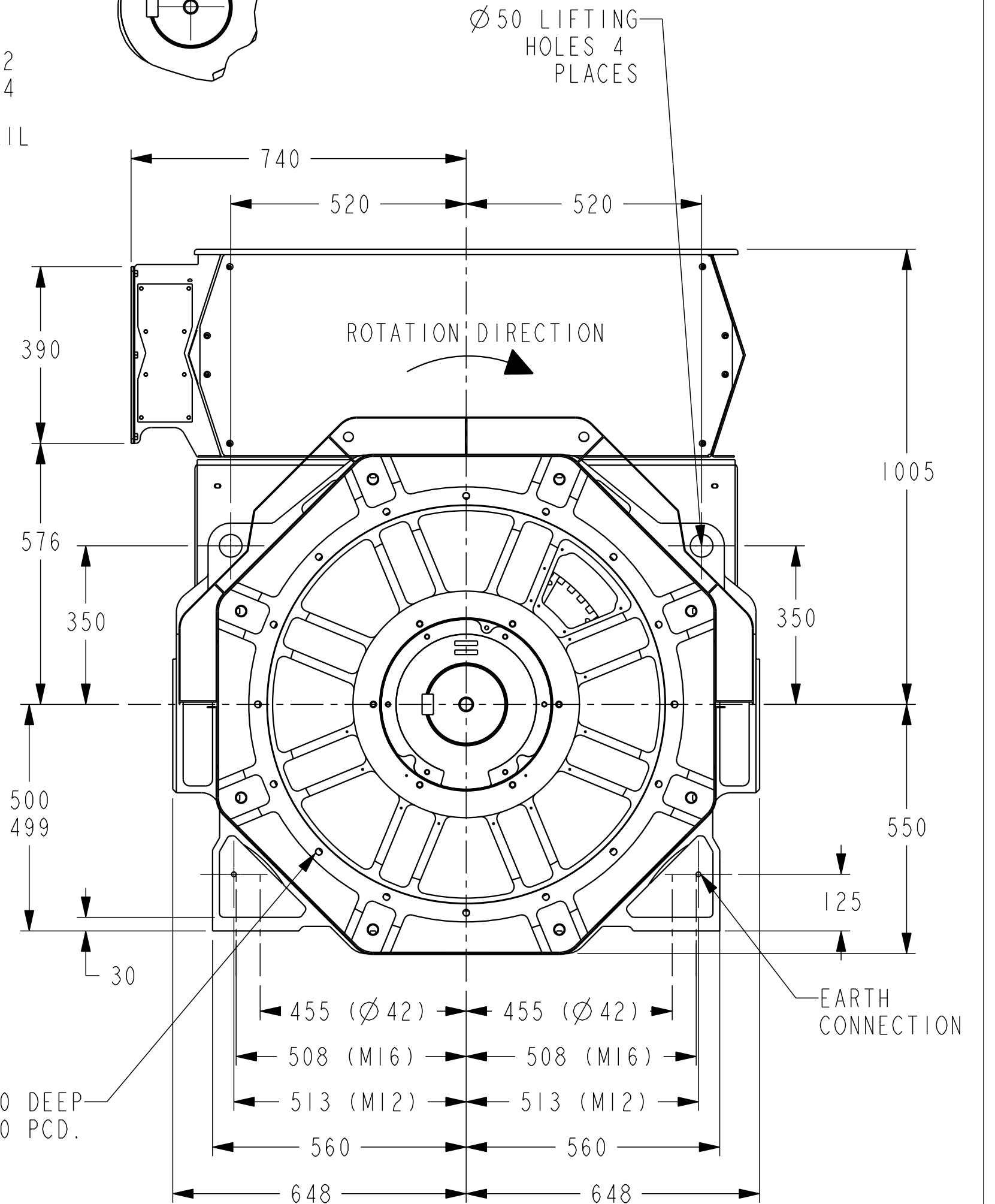
IF IN DOUBT-ASK
DO NOT SCALE



APPROVED DOCUMENT



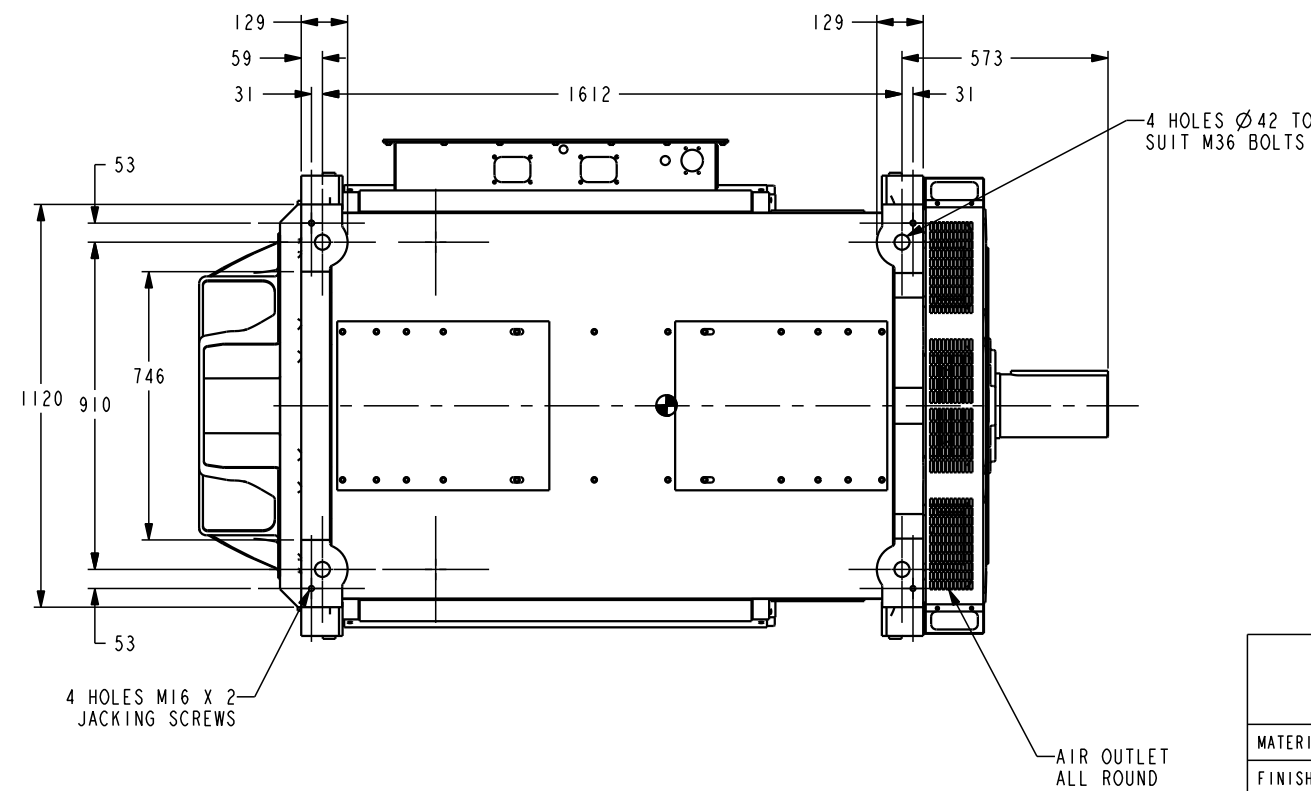
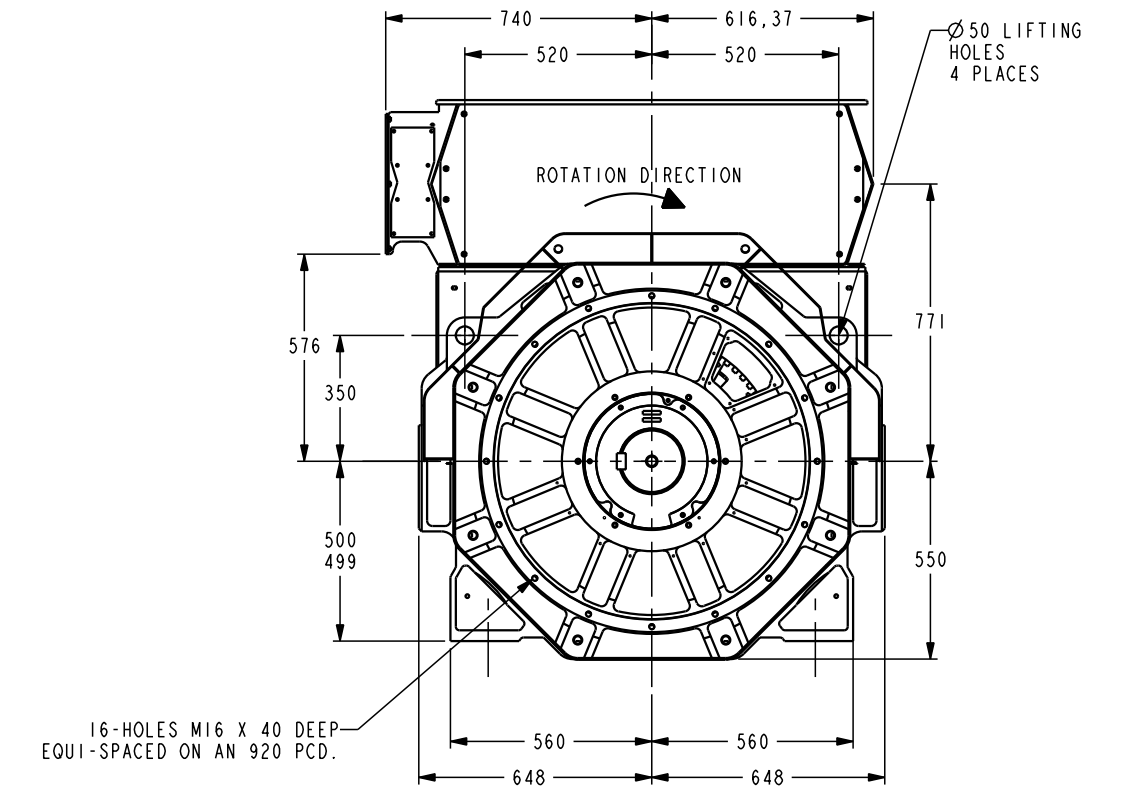
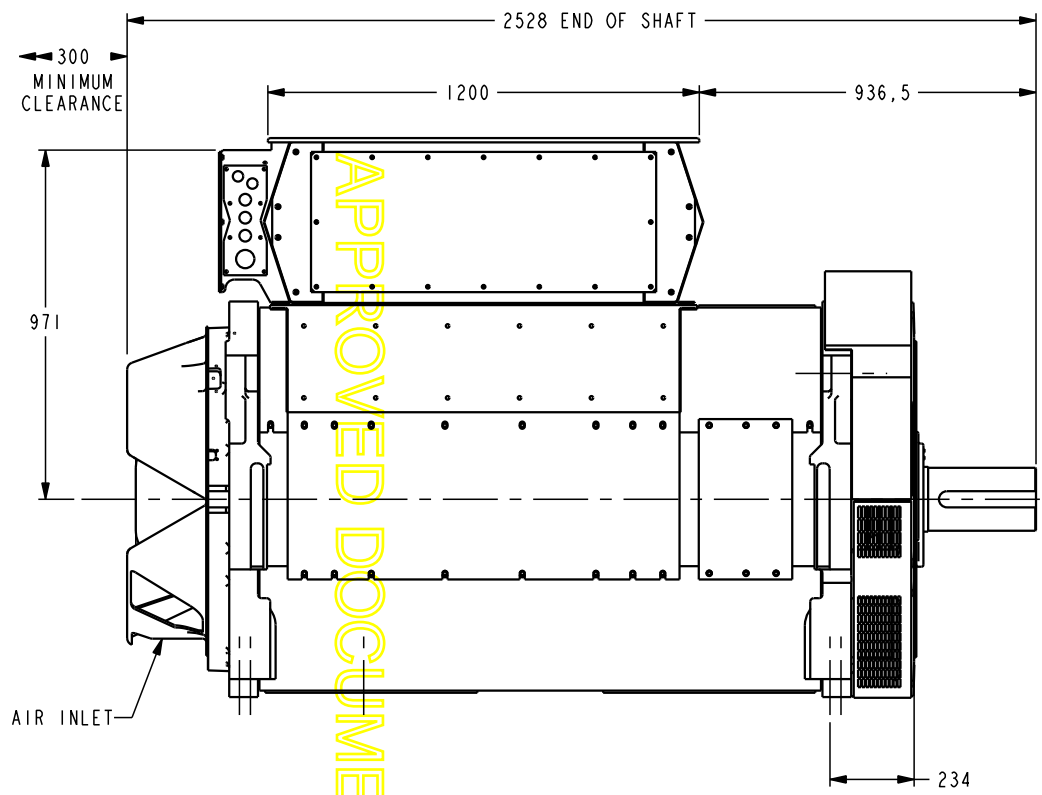
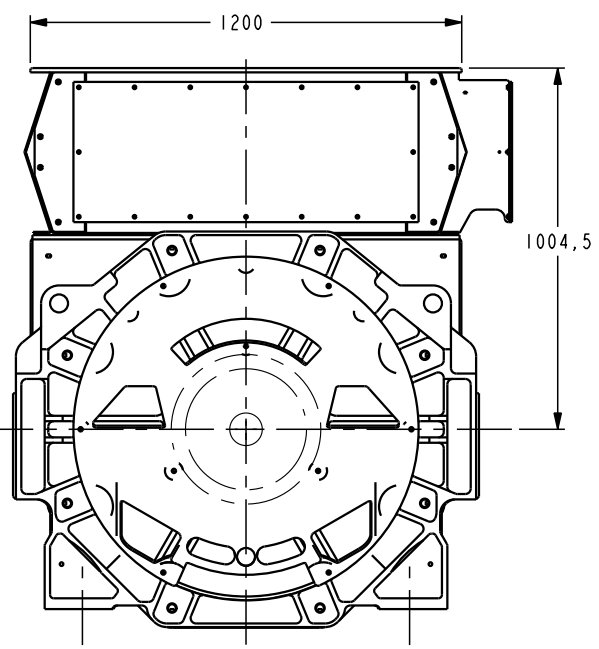
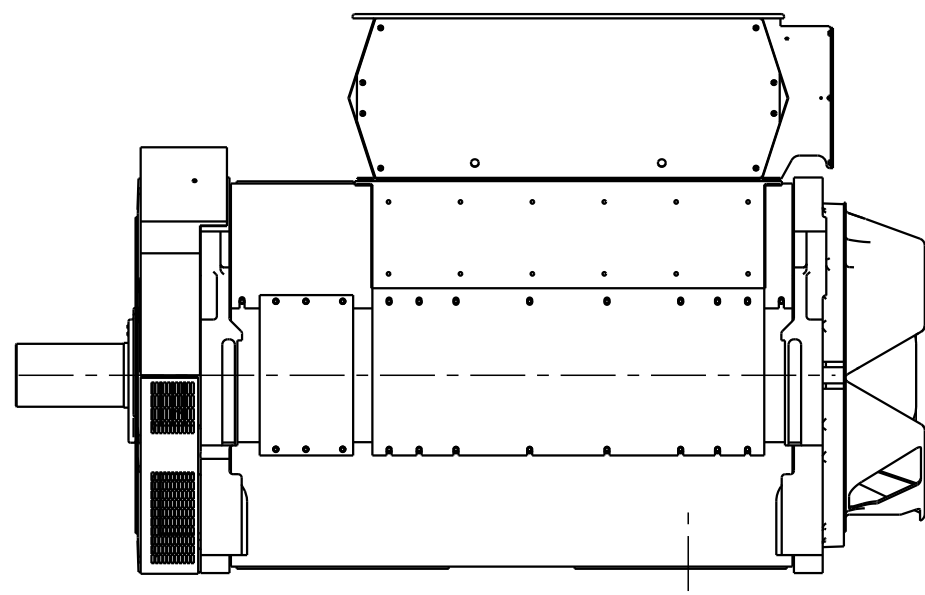
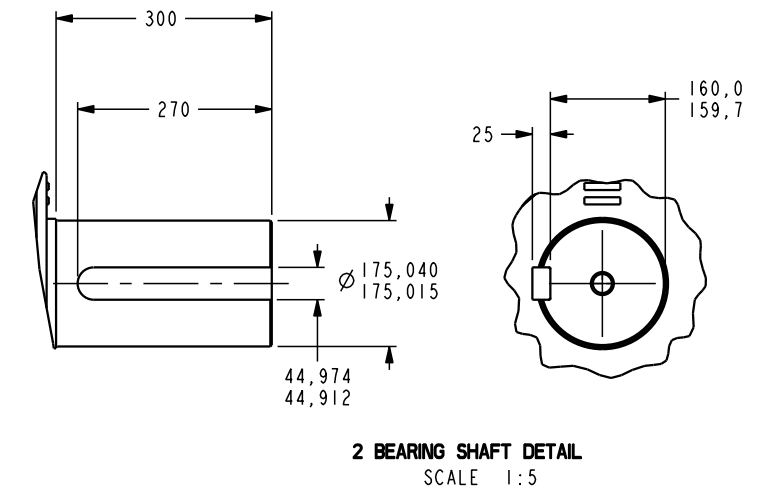
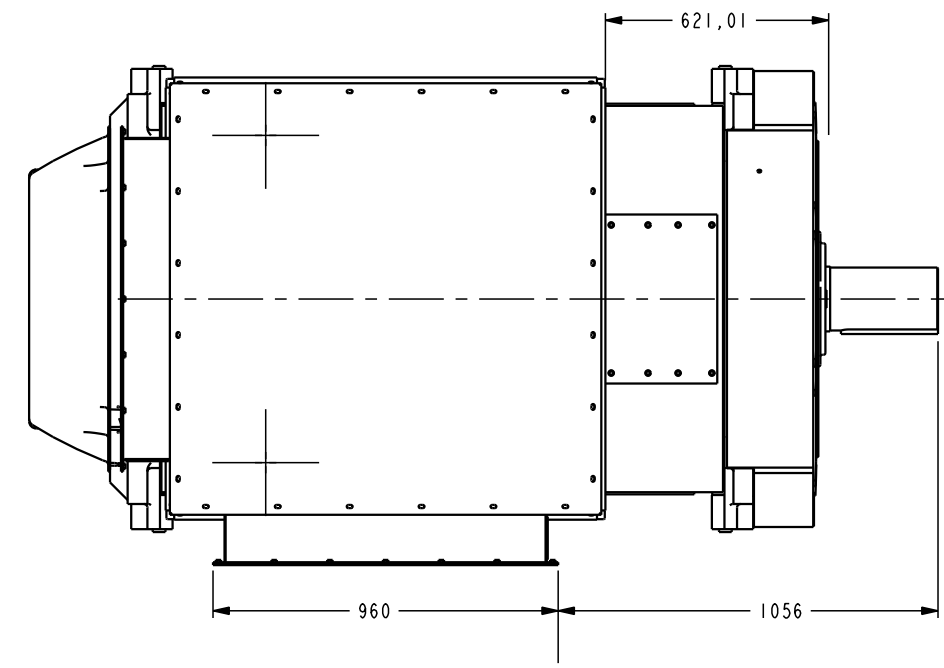
2 BEARING DETAIL
SCALE 1:10



16-HOLES M16 X 40 DEEP
EQUI-SPACED ON AN 920 PCD.

CONFIDENTIAL PROPERTY OF CUMMINS GENERATOR TECHNOLOGIES LTD				P80 ALTERNATOR MV W CORE CENTRE HEIGHT = INTEGRAL 500 CONNECTION ADAPTOR NONE			
MATERIAL PROPS	-	DIMENSIONS IN MILLIMETRES (MM) AT 20°C	SURFACE FINISH VALUES IN MICRO METRES	PROJECTION		SCALE	MATERIAL
FINISH SPEC	-				1:10	SEE BOM	
GEOMETRY SPEC	-			WEIGHT =	7864 KG	DRG. SIZE	C
ASSEMBLY SPEC	-			DRAWN	IAM 24/09/07	CASTING No	-
PERFORMANCE SPEC	-			CHECKED	IAM 24/09/07	PART No	80-2447
QUALITY SPEC	-	UNLIMITED DIMS ±	--	APPROVED	R.MAC 24/09/07	ISSUE	A
				REL. PHASE		SHEET 1 OF 2 SHEETS	
				Pro/ENGINEER			

4-8326-06	A	IAM	24/09/07	ORIGINAL ISSUE
MOD.	ISSUE	DRAWN	DATE	MODIFICATION



FRAME	P80
CORE LENGTH	W
VOLTAGE RATING	MV
BEARINGS	2
CENTRE HEIGHT	INTEGRAL 500
ADAPTOR	NONE
COUPLING	NONE
ENCLOSURE	IP23
CABLE ENTRY FROM DE	LEFT

CONFIDENTIAL PROPERTY OF CUMMINS GENERATOR TECHNOLOGIES LTD				P80 ALTERNATOR MV W CORE CENTRE HEIGHT = INTEGRAL 500 CONNECTION ADAPTOR NONE	
MATERIAL PROPS	-	DIMENSIONS IN MILLIMETRES (MM) AT 20°C	PROJECTION	SCALE	MATERIAL
FINISH SPEC	-	SURFACE FINISH VALUES IN MICRO METRES	WEIGHT = 7864 KG	1:10	SEE BOM
GEOMETRY SPEC	-			DRG. SIZE	A
ASSEMBLY SPEC	-	UNLIMITED DIMS ±	DRAWN	IAM	24/09/07
PERFORMANCE SPEC	-		CHECKED	IAM	24/09/07
QUALITY SPEC	-		APPROVED	R.MAC	24/09/07
				REL. PHASE	P
				PART No	80-2447
				ISSUE	A
				PREP/ENGINEER	
				SHEET	2 OF 2 SHEETS

4-8326-06	A	IAM	24/09/07	ORIGINAL ISSUE
MOD.	ISSUE	DRAWN	DATE	MODIFICATION