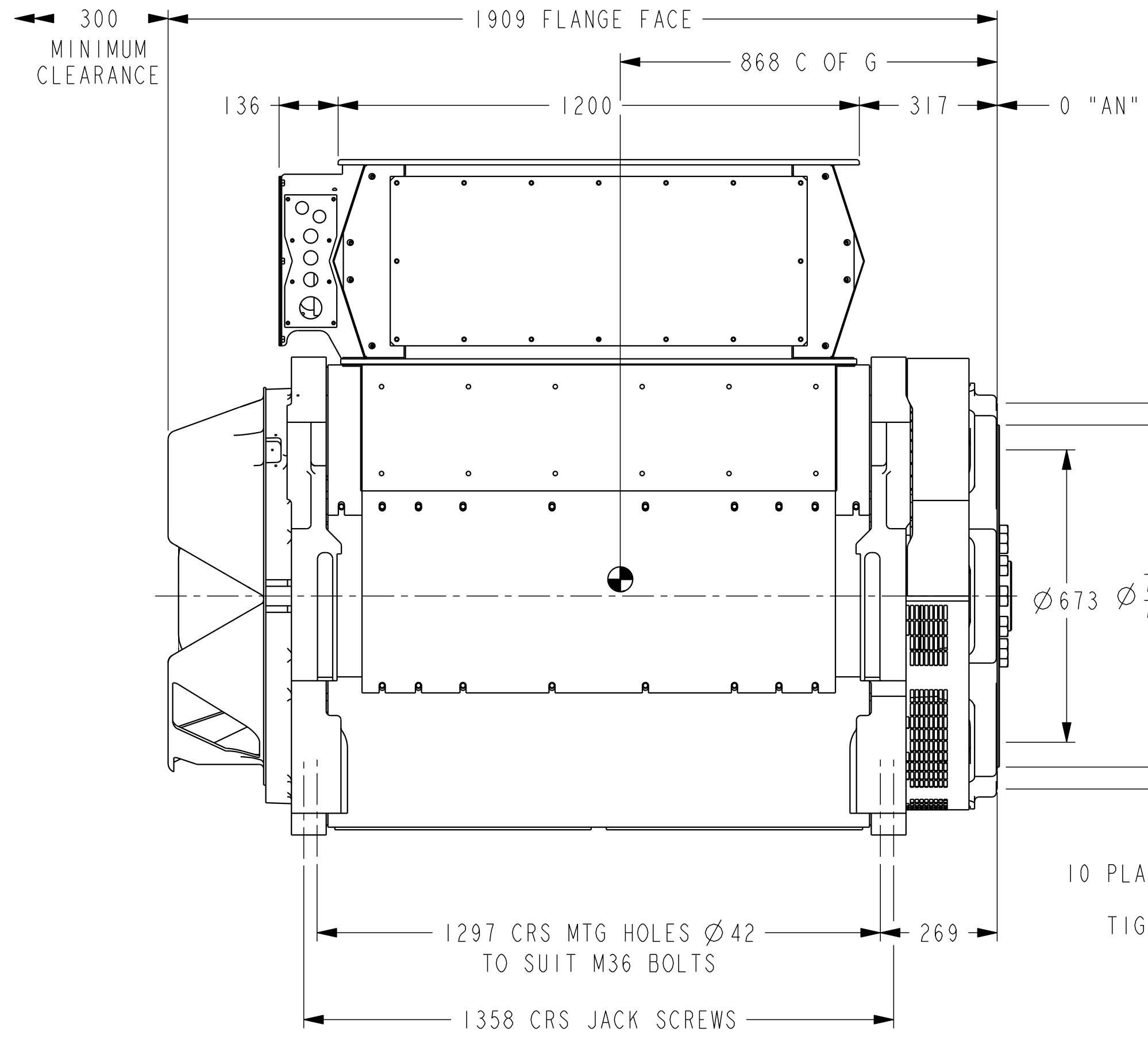


REL NO	REV	DETAIL	DWN	CKD	APVD	DATE
ECO-117528	A	PRODUCTION RELEASE.	AGS	JWS	AS	16 JUN 11

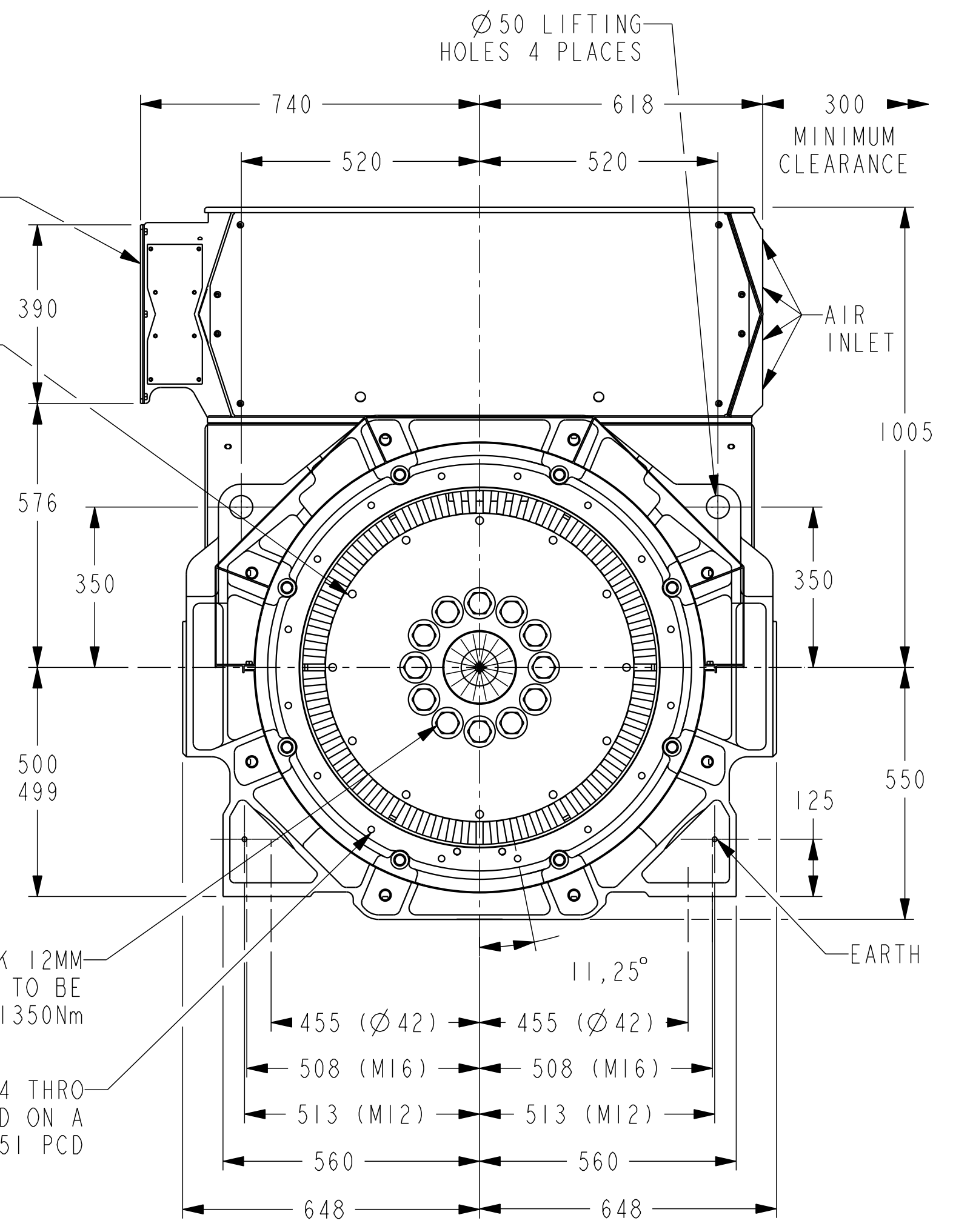


5MM THK ALUMINIUM GLAND PLATE

12 HOLES Ø16.7 THRO' EQUI-SPACED ON A Ø641.3 PCD

10 PLATE COUPLING - TOTAL THK 12MM HUB SECURING BOLTS TO BE TIGHTENED TO A TORQUE OF 1350Nm

16 HOLES Ø14 THRO' EQUI-SPACED ON A Ø851 PCD



UNLESS OTHERWISE SPECIFIED, ALL DIMENSIONS ARE IN MILLIMETERS

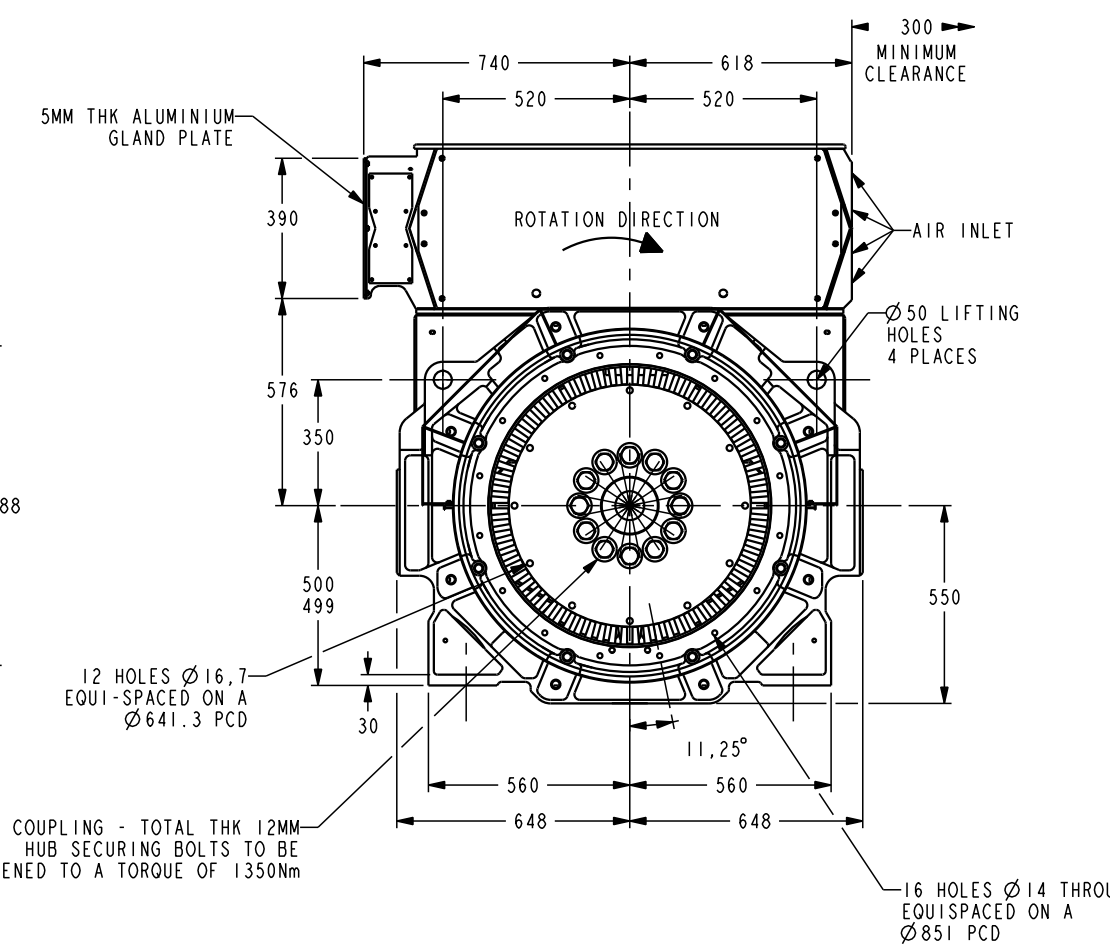
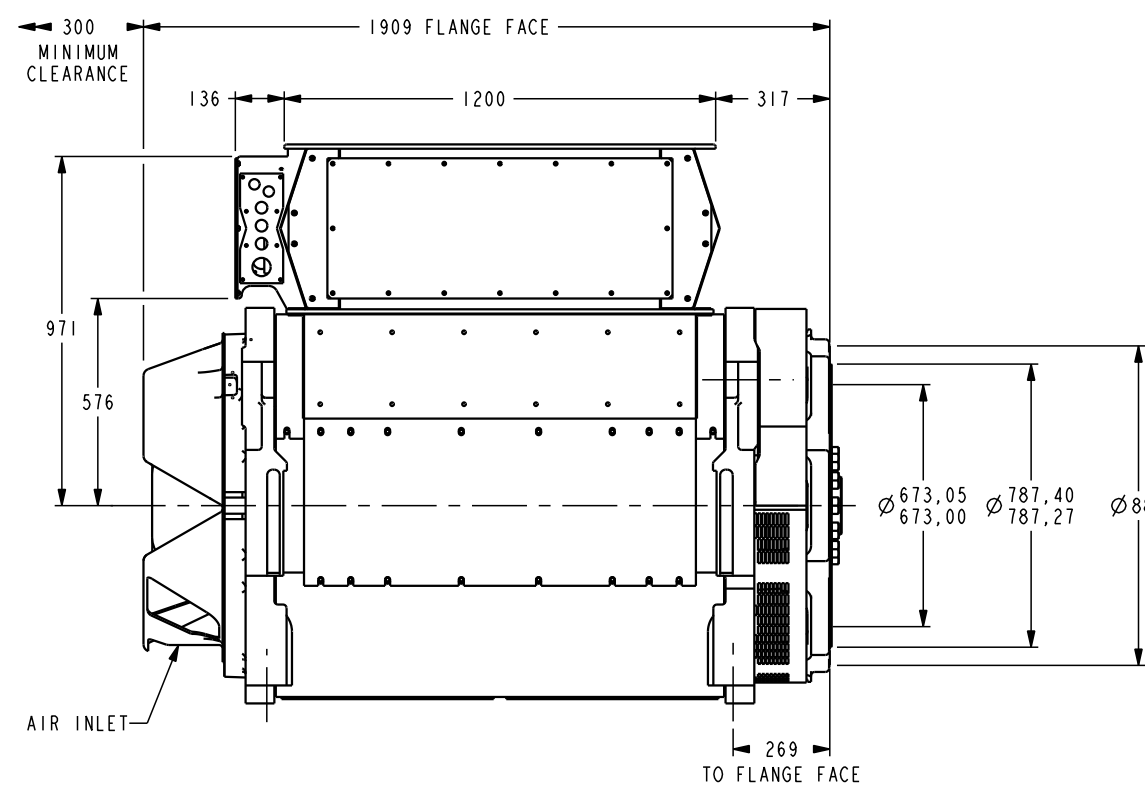
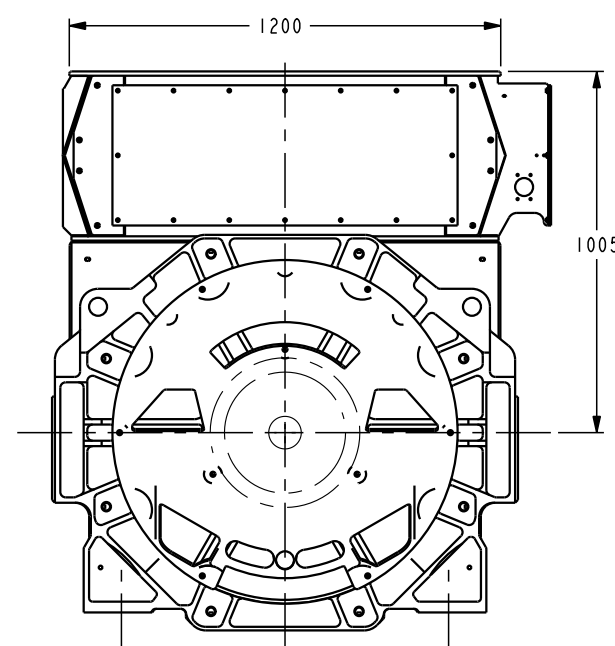
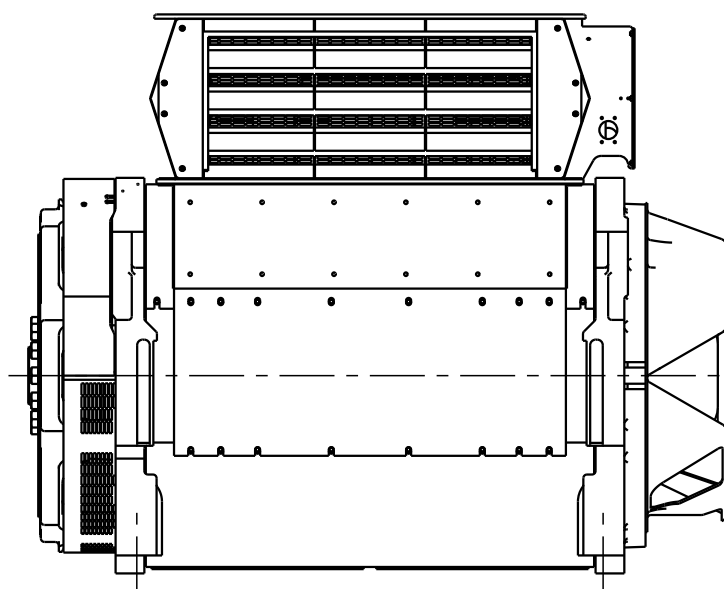
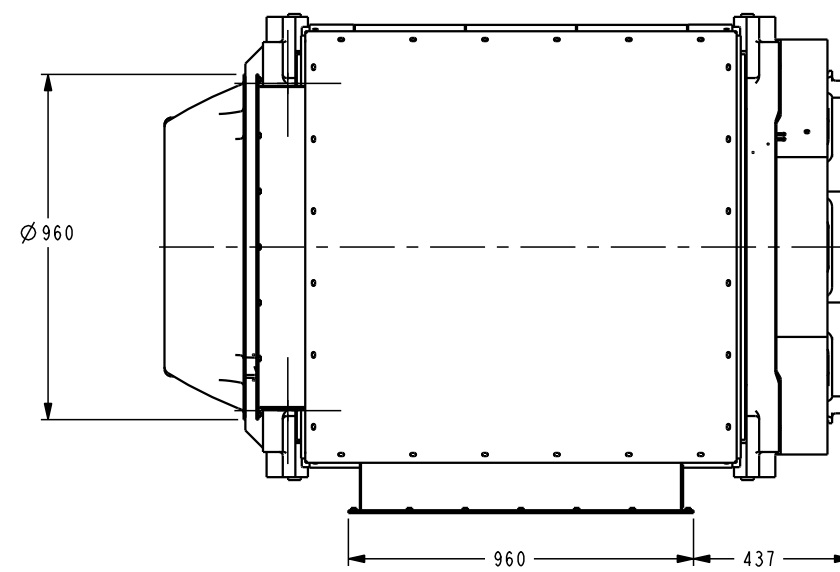
DIM	TOL	HOLE	TOL
X	± 1	0.00 - 4.99	+0.15/-0.08
X.X	± 0.1	5.00 - 9.99	+0.20/-0.10
X.XX	± 0.01	10.00 - 17.49	+0.25/-0.13
X.XXX	± 0.001	17.50 - 24.99	+0.30/-0.13

ANG TOL: ± 0.5° SCALE: 1:10

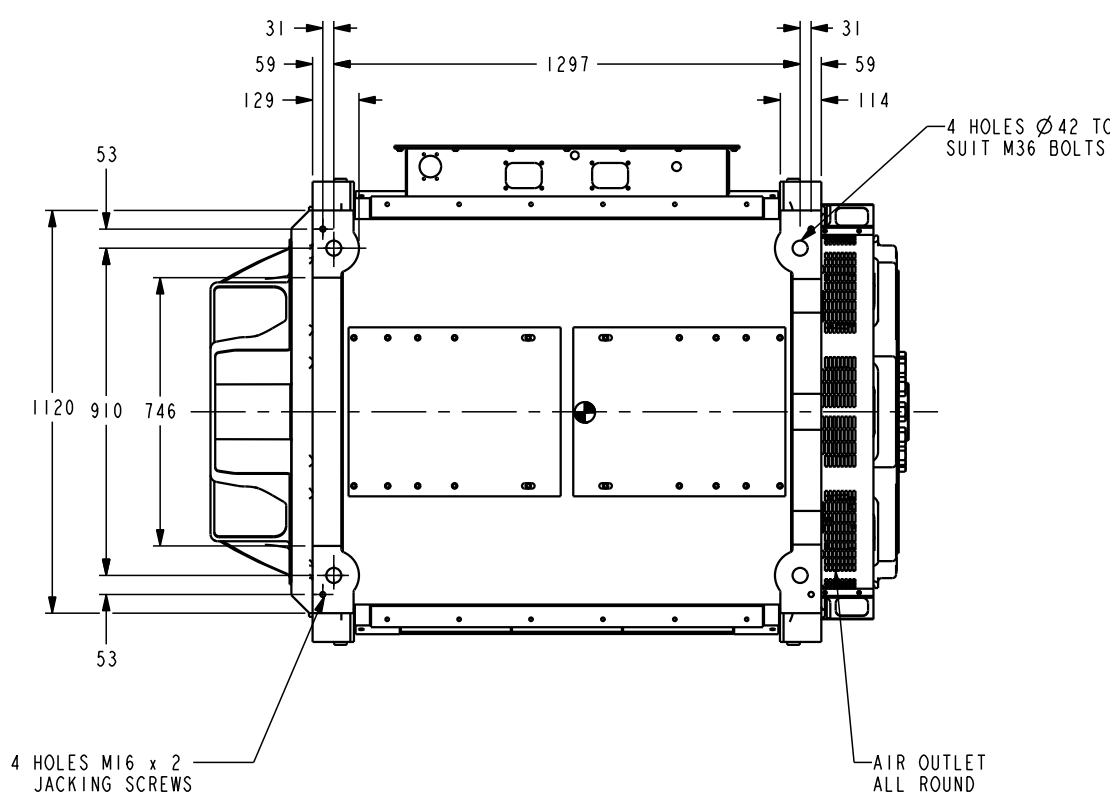
SIM TO	DWN AGS
DO NOT SCALE PRINT	CKD JWS
	APVD AS
- CONFIDENTIAL - PROPERTY OF CUMMINS GENERATOR TECHNOLOGIES	DATE 16 JUN 11
FOR INTERPRETATION OF DIMENSIONING AND TOLERANCING, SEE ASME Y14.5M-1994	FIRST USED ON

		CUMMINS GENERATOR TECHNOLOGIES	
P80 ALTERNATOR LV T CORE		CENTRE HEIGHT 500 / ADAPTOR SAE 00/21	
SITE CODE	DWG SIZE	SHEET	REV
STA	A2	1	A

REV NO	REV	DETAIL	OWN	CD	APPD	DATE
ECO-117528	A	PRODUCTION RELEASE	AGS	JWS	AS	16 JUN 11



10 PLATE COUPLING - TOTAL THK 12MM
HUB SECURING BOLTS TO BE
TIGHTENED TO A TORQUE OF 1350Nm



FRAME	P80
CORE LENGTH	T
VOLTAGE RATING	LV
BEARINGS	I
CENTRE HEIGHT	INTEGRAL 500
ADAPTOR	SAE00
COUPLING	SAE21
ENCLOSURE	IP23
CABLE ENTRY FROM DE	LEFT

UNLESS OTHERWISE SPECIFIED, ALL DIMENSIONS ARE IN MILLIMETERS		DO NOT SCALE PRINT	OWN	CD	APPD	DATE	PROPERTY OF CUMMINS GENERATOR TECHNOLOGIES	DATE	REV
X ± 1	0.00-4.99	+0.15/-0.08	AGS	JWS	AS	16 JUN 11	CONFIDENTIAL	16 JUN 11	1
X.X ± 0.1	5.00-9.99	+0.20/-0.10							
X.XX ± 0.01	10.00-17.49	+0.25/-0.13							
	17.50-24.99	+0.30/-0.13							
ANG TOL: ± 0.5°	SCALE: 1:10								

STA	REV	DATE	BY	CHKD
	2			

ITEM NO	DESCRIPTION	REV
1	P80 ALTERNATOR LV T CORE	
2	CENTRE HEIGHT 500 / ADAPTOR SAE 00/21	

ITEM NO	DESCRIPTION	REV
1	P80 ALTERNATOR LV T CORE	
2	CENTRE HEIGHT 500 / ADAPTOR SAE 00/21	