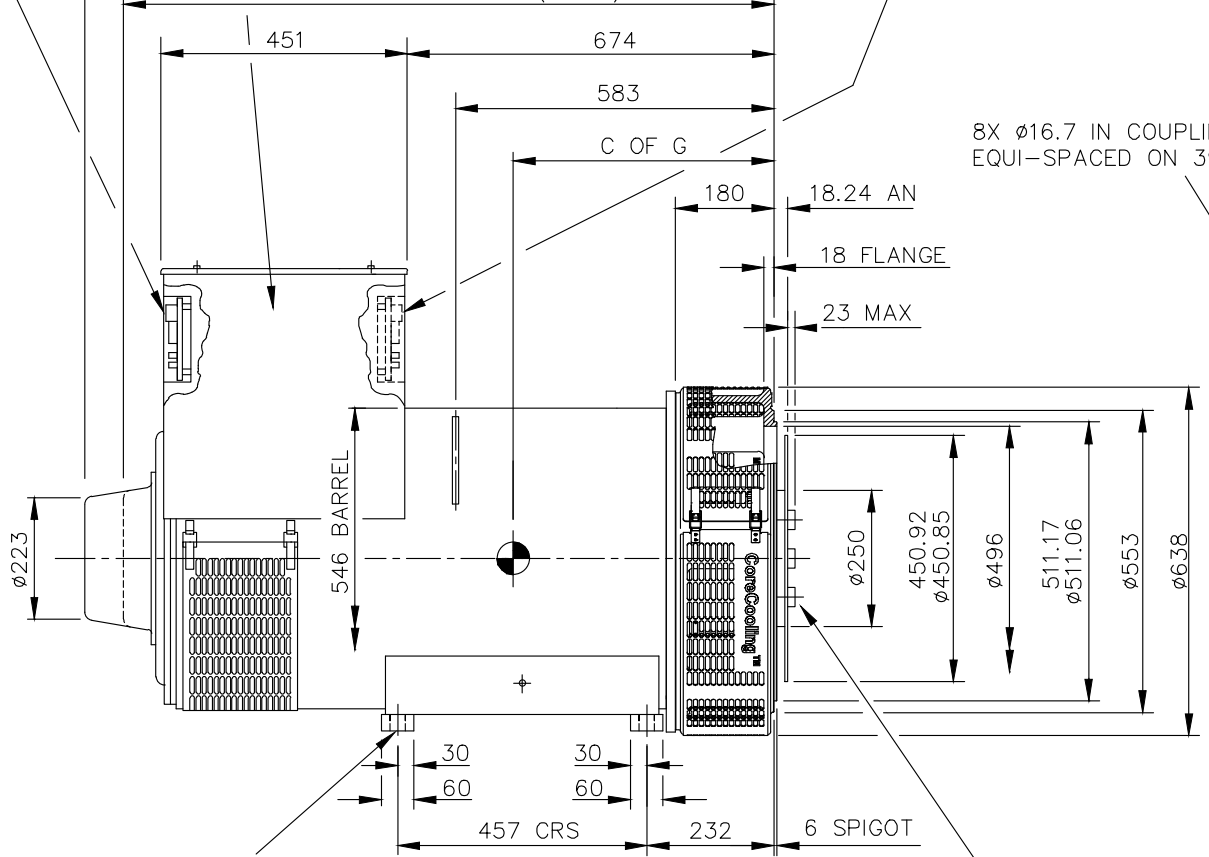


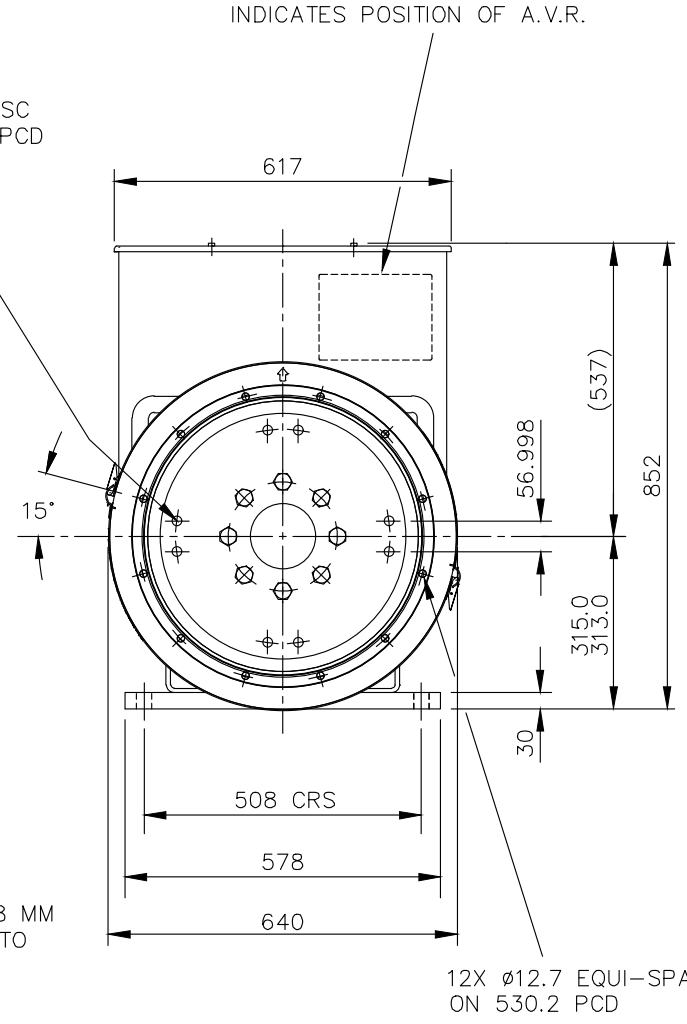
CORE	C OF G	WEIGHT(KG)
F	530	1160

NOTE: -
1. CUSTOMER MAY CUT CABLE ENTRY HOLES AS REQUIRED IN ANY OF THE FOUR TERMINAL BOX SIDES SUBJECT TO POSITION OF A.V.R, TERMINALS ETC.

A.V.R. STANDARD POSITION
REMOVABLE SIDE COVERS
1262 WITH P.M. (SER.3)
1191 WITHOUT P.M. (SER.4)
A.V.R. ALTERNATIVE POSITION



8X Ø16.7 IN COUPLING DISC
EQUI-SPACED ON 393.7 PCD



4-PLATE COUPLING TOTAL THICKNESS 4.8 MM
HUB SECURING BOLTS TO BE TIGHTENED TO
A TORQUE OF 48 kgf-m (479 N-m)

DRAWING SPECIFICATION
DESCRIPTION
S4L1D F, 1-BRG
SAE1/17.75, STD T/BOX

Document Generated: 18MAR2020 13:34 GMT



Part Number: A055J603

Change Notice	CN00015804	Alternates	
Manufacturer Part (MEP)	No	Usage	Production Only
Release Phase Code	Production (P)	Drawing Specification	DSA055J603
External Regulations	No External Regulation		

3D image provided when available for visual reference only.

Associated Specifications

Number	Name	Type	Category	Sub-Category
ESA030B356	SPECIFICATION,MATERIAL	Engineering Specification	Material Specification	Prohibited and Restricted Prohibited and Restricted

Drawing Revision Information

Description of Change(s)
ADAPTER, GENERATOR, A063X685 WAS A054S980 SHEET 1 ZONE D4, 638 WAS 620 SHEET 1 ZONE D5, 553 WAS 553.5

Drawing Authorization

Drafter	Bhushan Ashok Surve	Date	18MAR2020
Checker	Bhushan Ashok Surve	Date	18MAR2020
Approver	NO APPROVAL REQUIRED	Date	

Document Generated: 18MAR2020 13:34 GMT